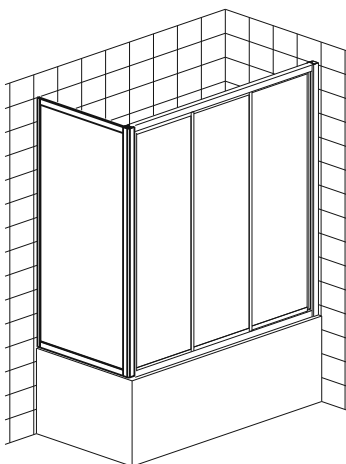
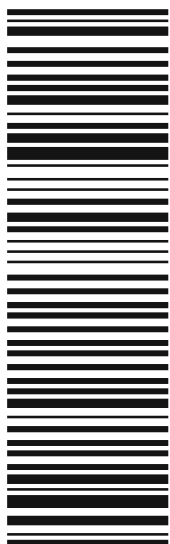


DTr-c-W



SS2-c-W + DTr-c-W

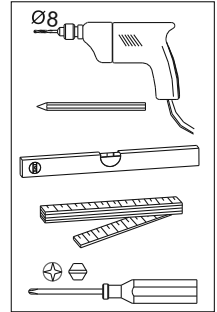
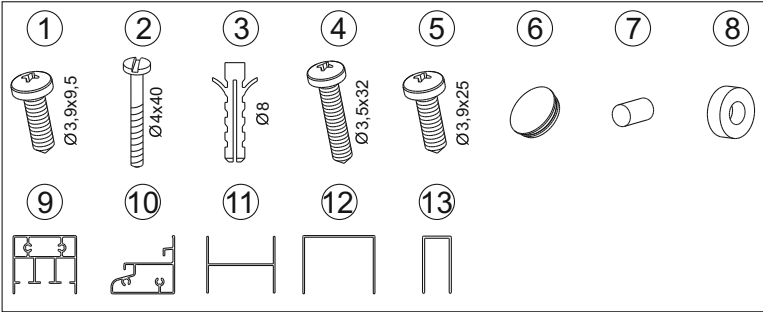


(01) 200000011130(94)

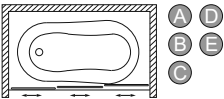
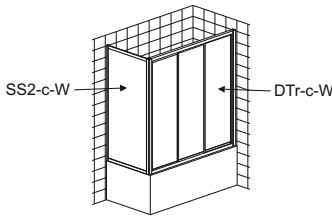
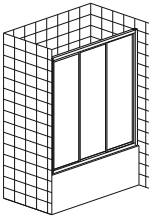
CLASSIC

- PL** Instrukcja montażu
- DE** Montageanweisung
- GB** Installation instruction
- FR** Instructions de montage
- RU** Инструкция монтажа
- CZ** Návod k montáži
- RO** Instrucțiuni de montaj
- HU** Útmutató
- SK** Návod na montáž

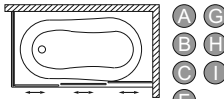
DTr-c-W, SS2-c-W



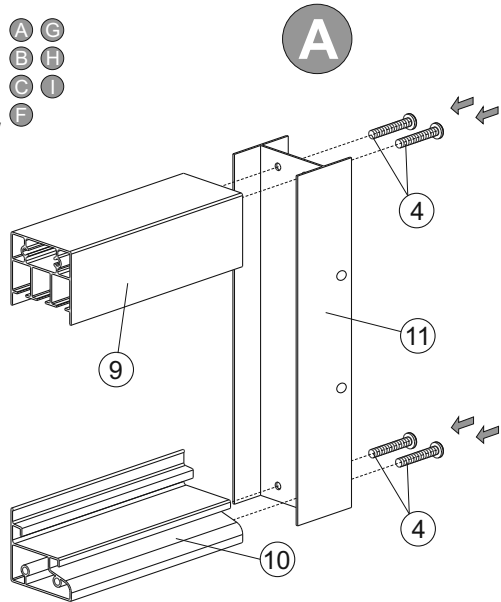
| | ① | ② | ③ | ④ | ⑤ | ⑥ | ⑦ | ⑧ | ⑨ | ⑩ | ⑪ | ⑫ | ⑬ |
|---------|---|---|---|---|---|---|---|----|---|---|---|---|---|
| DTr-c-W | 4 | 4 | 4 | 8 | - | 4 | 6 | 12 | 1 | 1 | 2 | 2 | - |
| SS2-c-W | 2 | 2 | 2 | - | 3 | - | - | - | - | - | - | - | 1 |

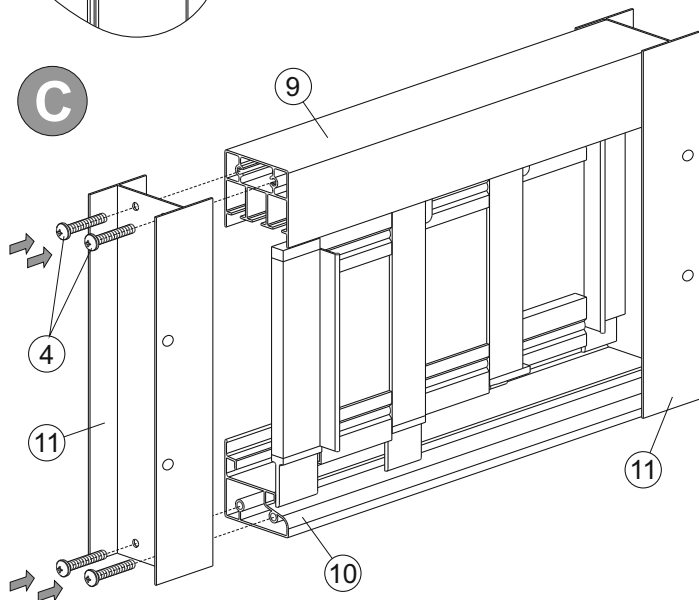
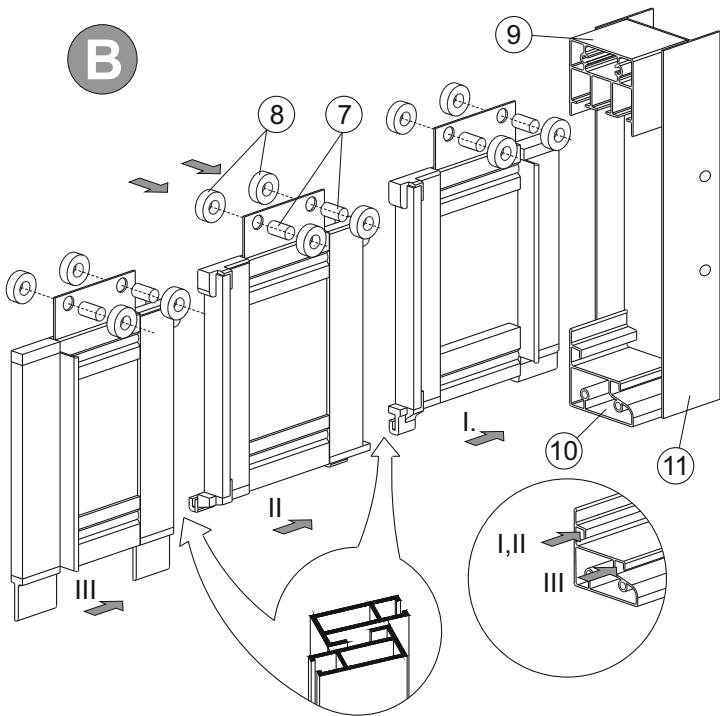


DTr-c-W

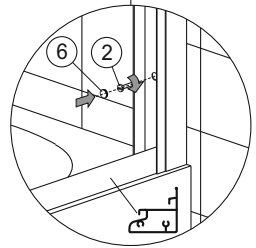
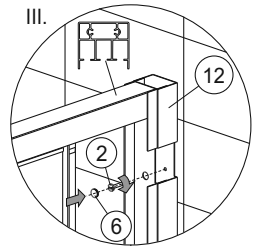
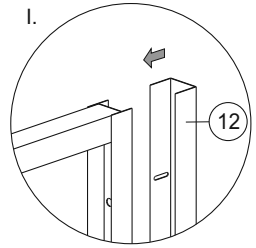
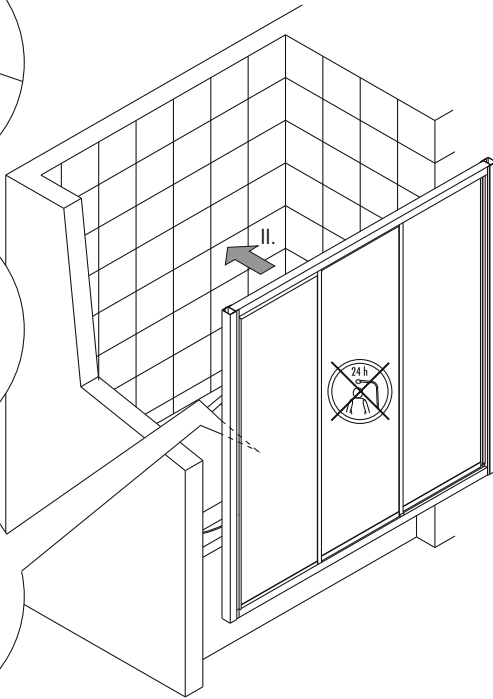
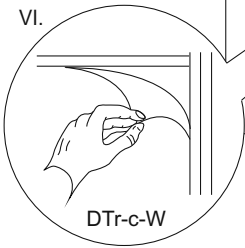
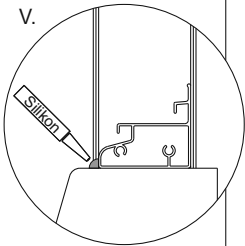
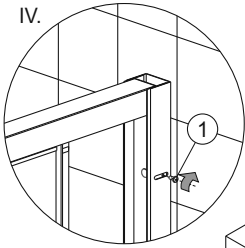


SS2-c-W + DTr-c-W

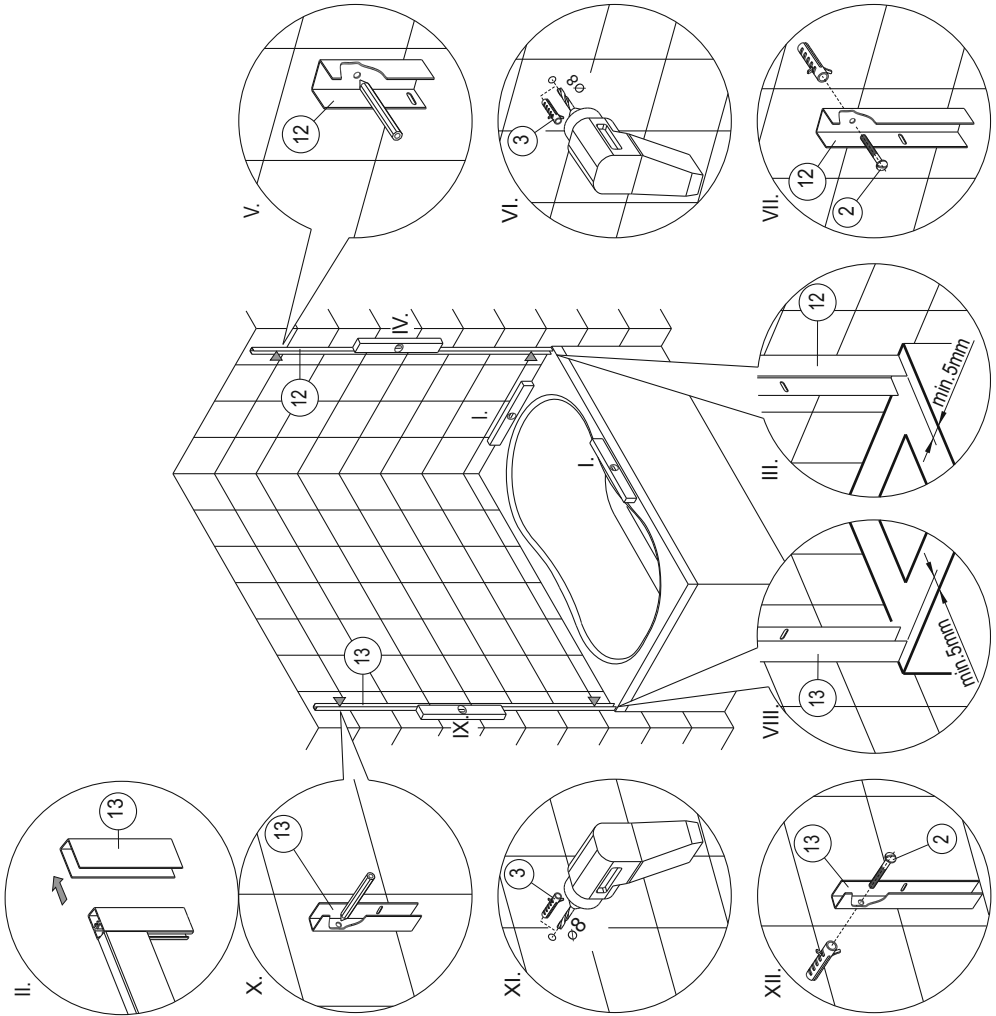




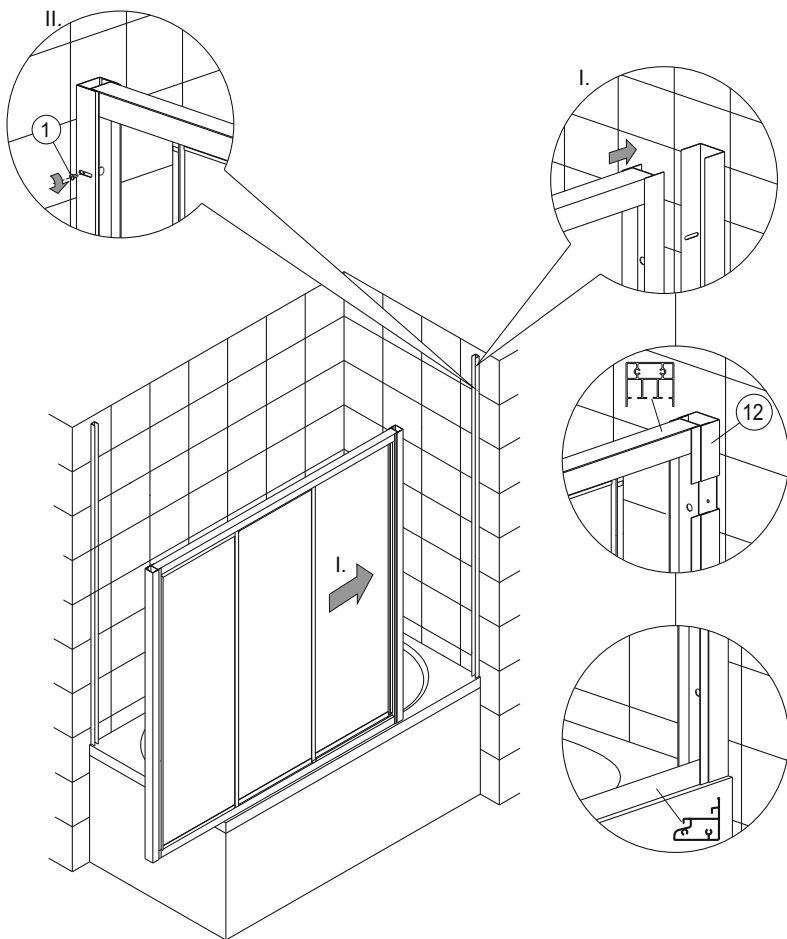
E



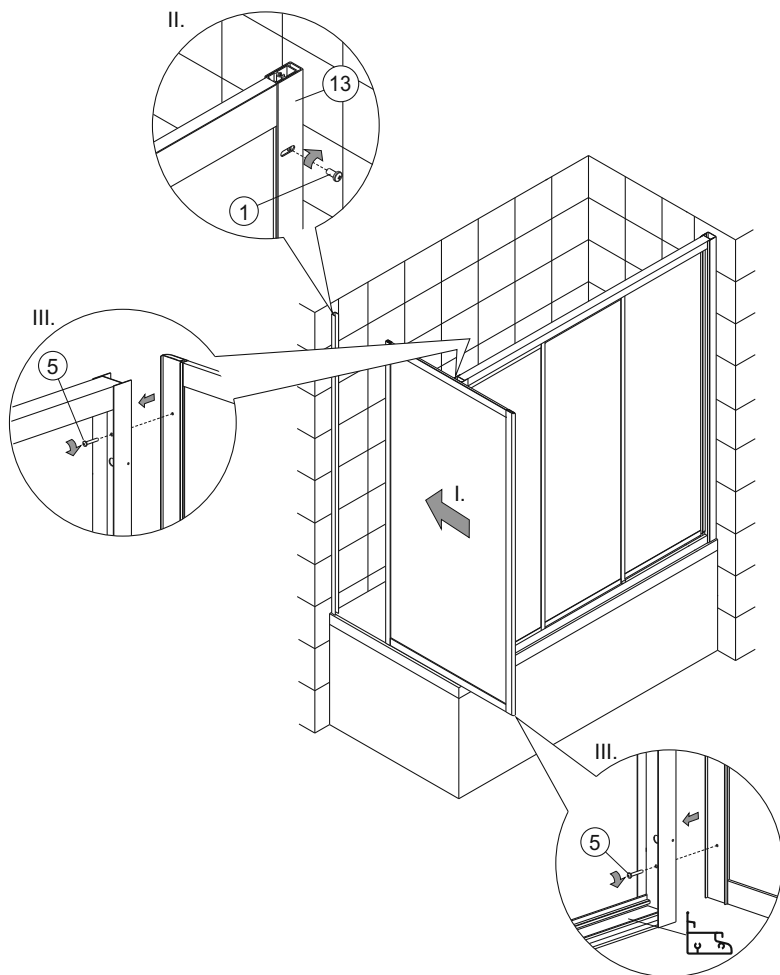
F



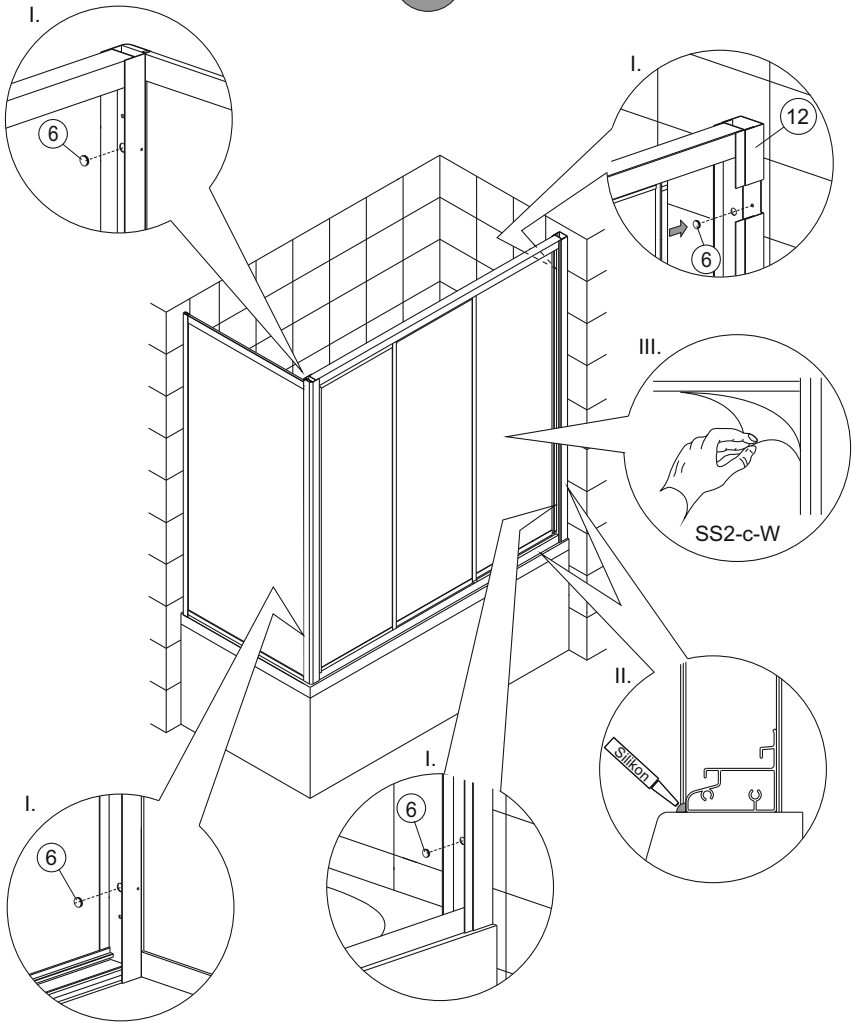
G



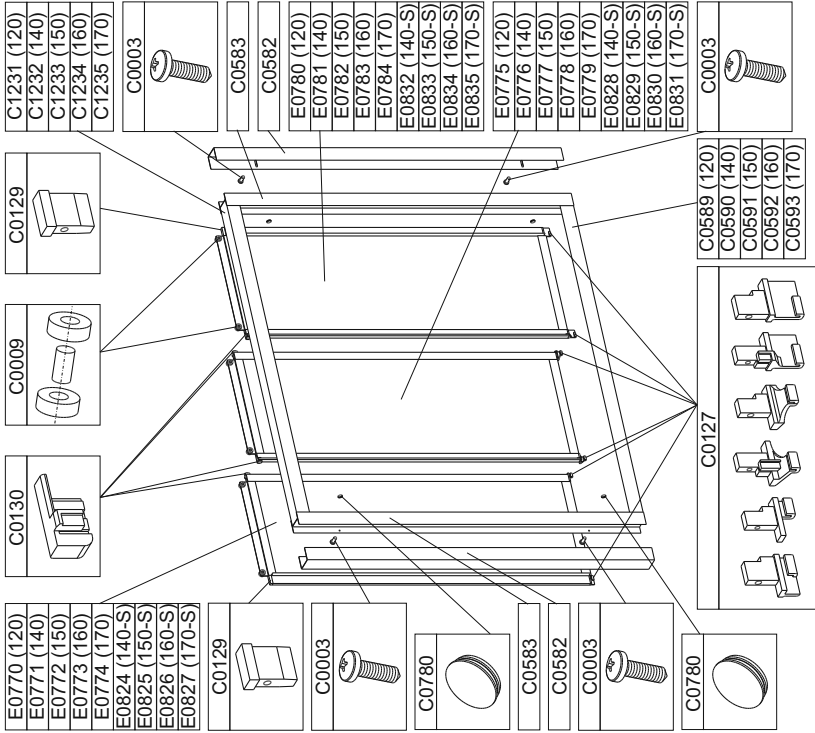
H



I



DTr-c-W



SS2-c-W

