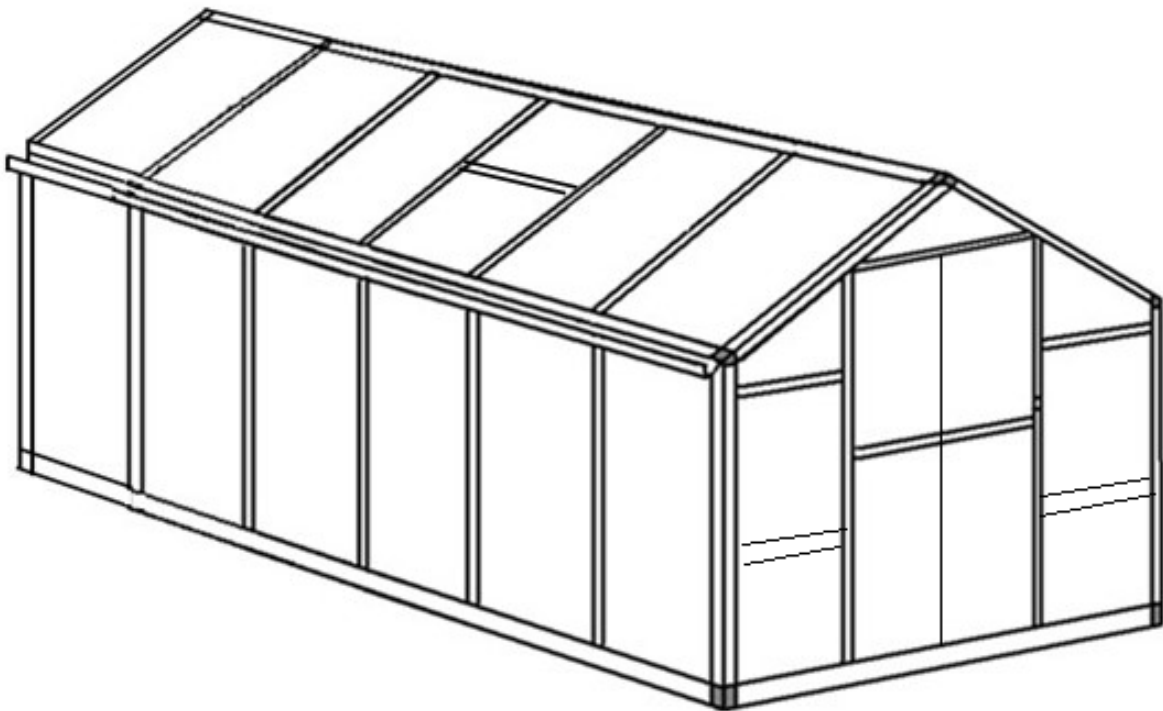










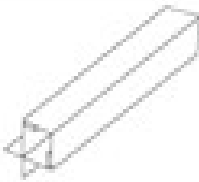





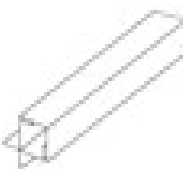

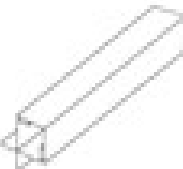
# TP250-6









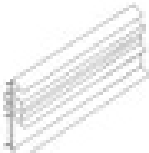
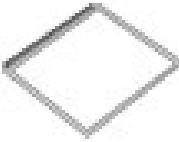
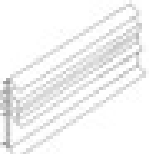


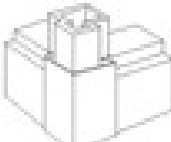

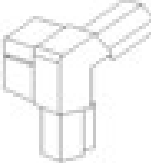
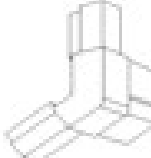
## Aluminium Greenhouse



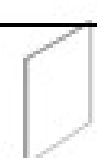





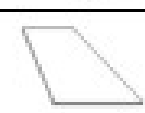










### ASSEMBLY INSTRUCTIONS









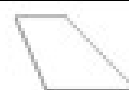











Please read all instructions carefully before assembly.  
It is best to familiarize yourself with the parts and collate the appropriate parts  
for each step.

No.	Picture	Qty.	Size	No.	Picture	Qty.	Size
1		2	117.9	2A		2	119.2
2		2	117.9	7A		2	119.2
3		2	116.1	10		1	183.7
4		2	116.1	11		1	183.7
5		4	146.5	12		1	183.7
6		2	117.9	13		1	183.7
7		2	117.9	14		10	146.5
8		2	132.4	15		6	131
9		2	132.4				

16		4	131	23		2	174.5
17		8	58.5	24		4	48.8
18		3	110	25		2	48.8
19		1	110	27A		2	119.2
20A		2	119.2	26		2	57*57
20		2	117.9	27		4	117.9
21		2	57	32		4	
22		2	174.5	33-1		2	
				33-2		2	

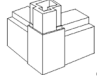
34		2		A		12	149.5*5 8.8
				B		10	133.5*5 8.8
36		4		C		8	60.5*60.5
37		2		D		3	60.2*11 1.5
38		20	M6*35	E		4	62*60*2 8.5
39		76	M6*12	F		2	33*111.5
40		1		G		2	72.5*58.8
41		8					
42		6	M6*25				
H		4		87.7*50.2			
I		1					
43		40	44		2		

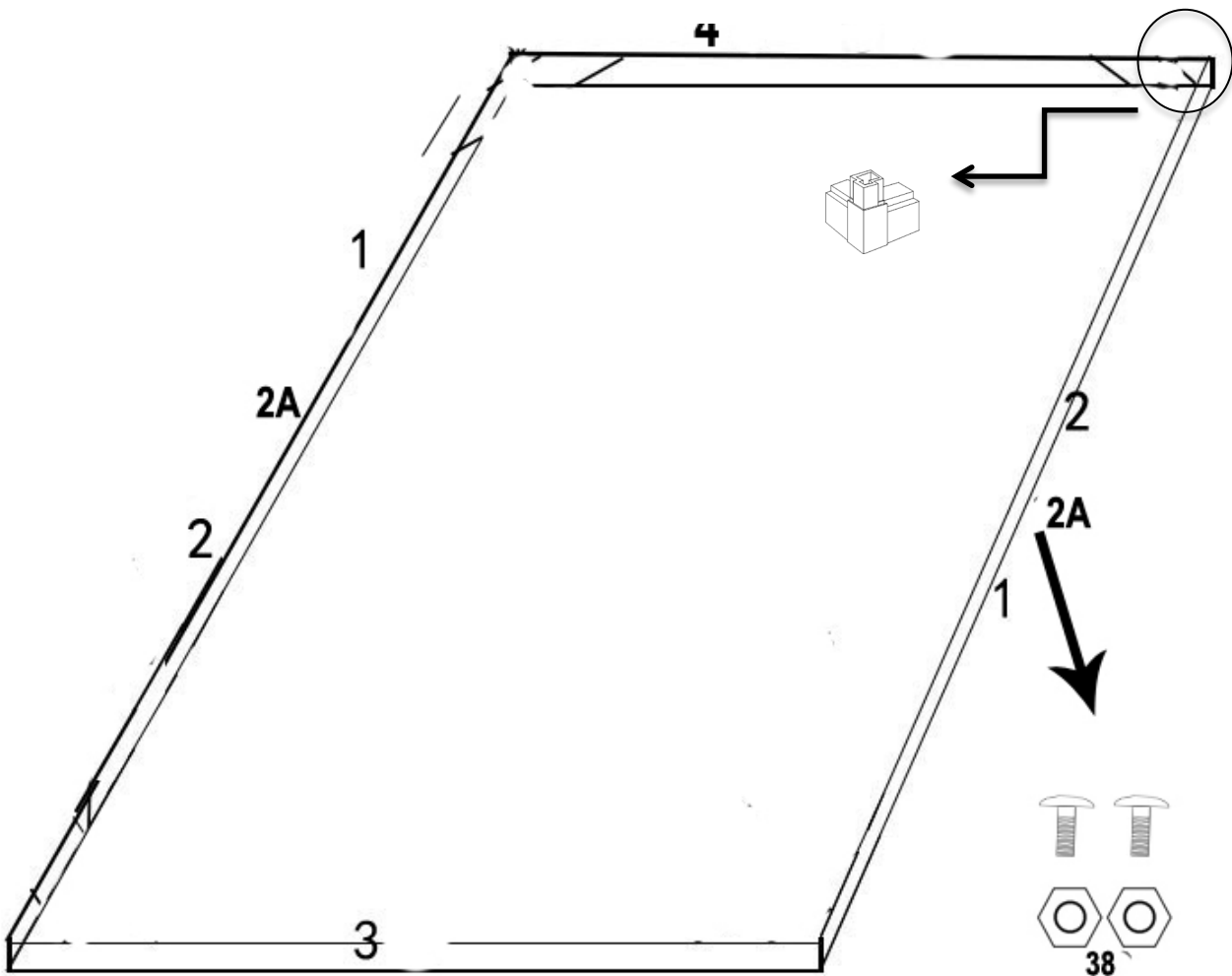
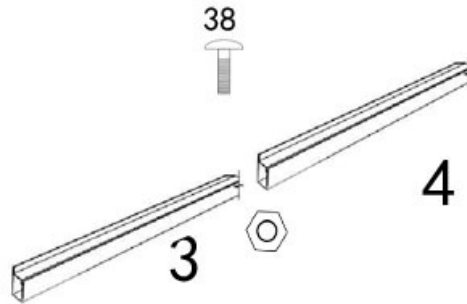
34		2		A		12	149.5*5 8.8
				B		10	133.5*5 8.8
36		4		C		8	60.5*60. 5
37		2		D		3	60.2*11 1.5
38		20	M6*35	E		4	62*60*2 8.5
39		76	M6*12	F		2	33*111. 5
40		1		G		2	72.5*58. 8
41		8					
42		6	M6*25				
H			4	87.7*50.2			
I			1				
43			40				

# ASSEMBLY INSTRUCTIONS

## Step 1:

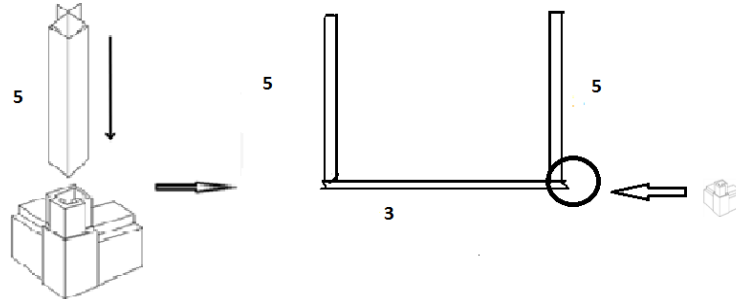
Attach 3 and 4 respectively through the screws 38.

Attach the "1", "2", "3" and "4" by the "32" . Don't forget the screws 39!



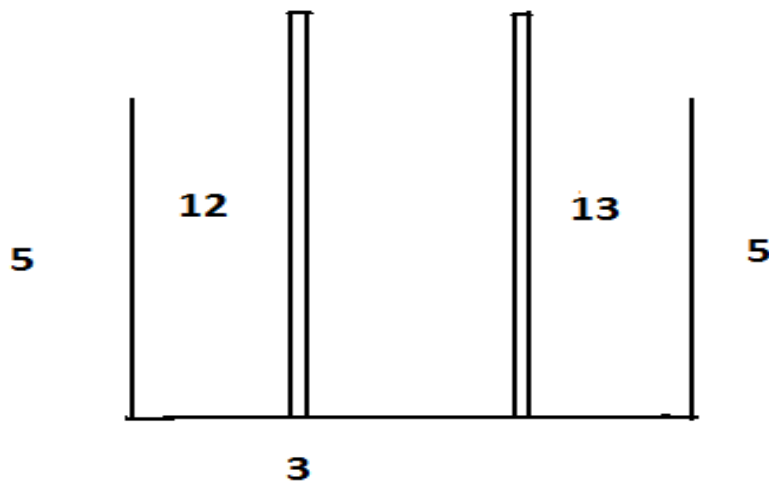
## STEP 2

Attach 2 x Part 5 to Part 3 and part 4 using the plastic connector Part 32. Screws 39



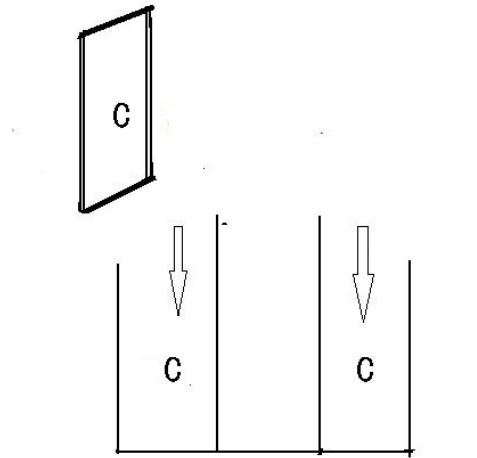
## STEP 3

Attach Part 12 and 13 to Part 3 and part 4 with supplied screws 39.



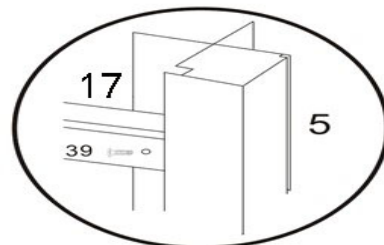
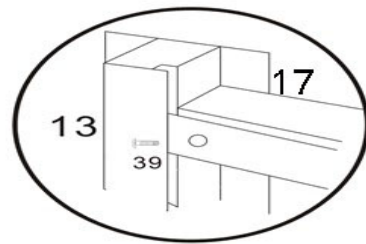
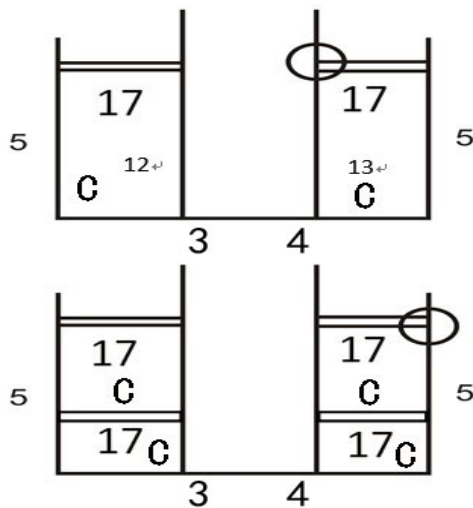
## STEP 4

Insert sunlight panels Part C into the grooves of Part 3 and Part 5. Repeat step for the other side.



## STEP 5

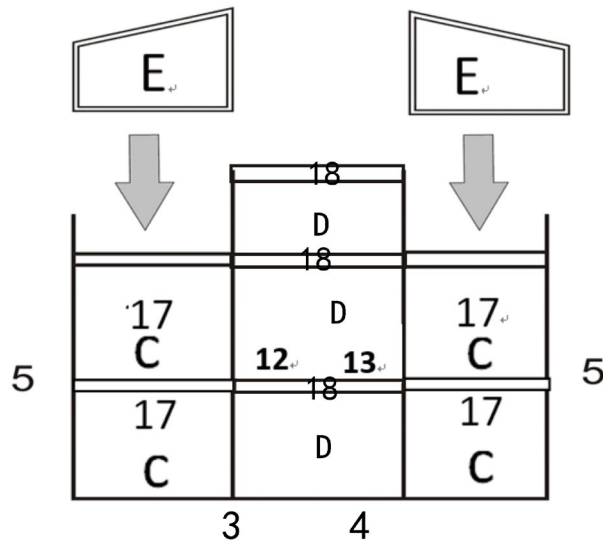
Attach 17 with 5 and 12, 5 and 13, insert panel C, Don't forget the screws 39.





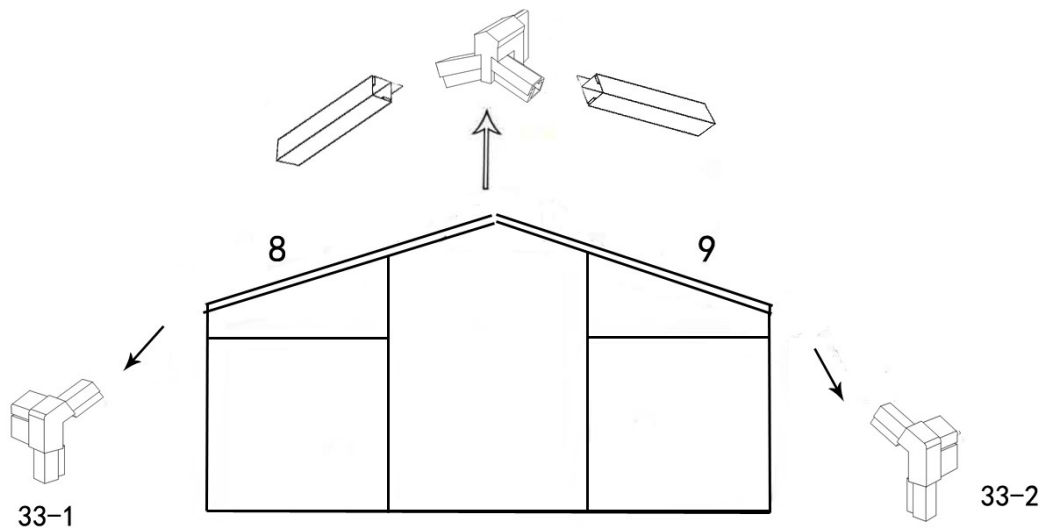
## STEP 6

Insert panel Part E into the grooves of Part 5, Part 12 and Part 13 and tighten with supplied screws 39.

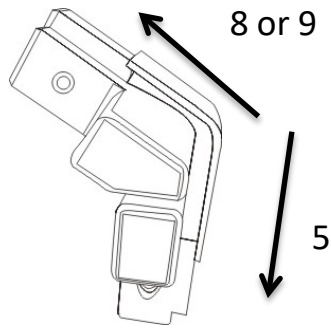


## STEP 7

Attach Part 8 and Part 9 with connector Part 34. Attach this sub-assembly to Part 5 and 8 using connector Part 33-1, part 6 and part 9 using connector Part 33-2. Screws 39.

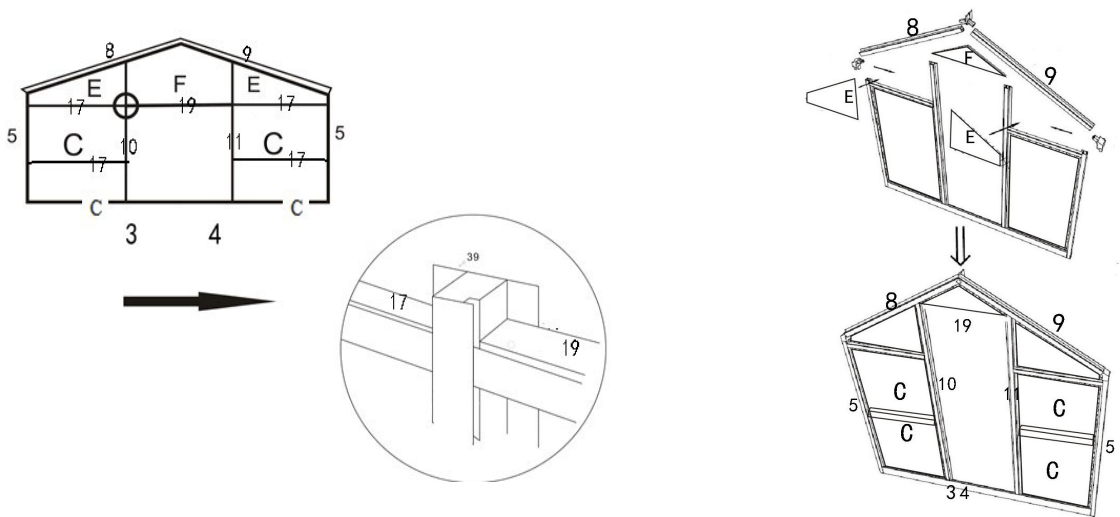


**TIPS: LOOK AT THE 33-1 AND 33-2!**



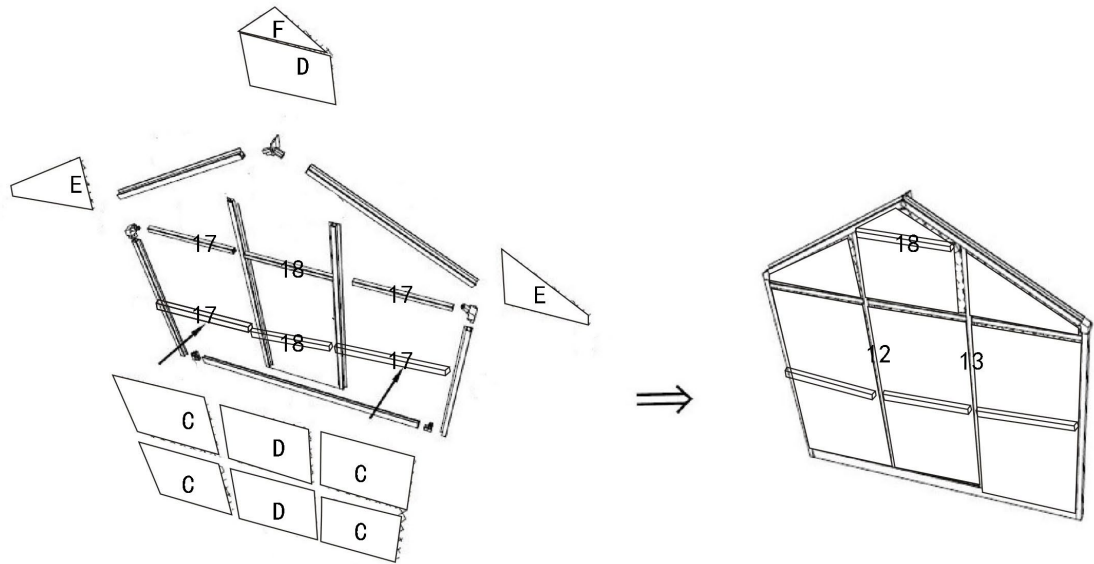
**STEP 8**

Insert sunlight panel Part F into the grooves of Part 8 and Part 9. Next, attach Part 18 to Part 12 and Part 13 and tighten with supplied screws 39.



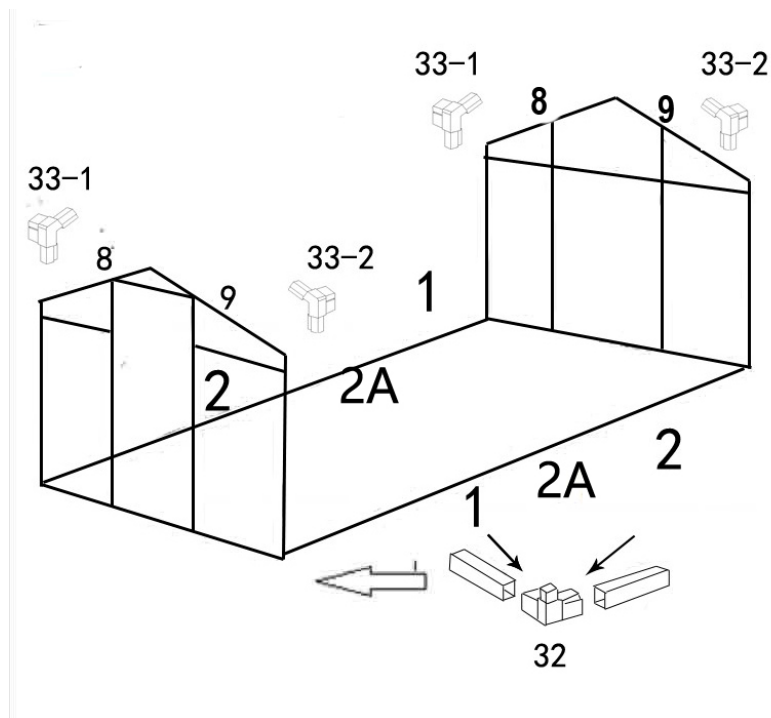
### STEP 9

Repeat Step 1 to Step 6 for the other side of the greenhouse with the following Part Numbers as shown below.



### STEP 10

Attach both completed sub-assemblies to Part 1 and Part 2 using connector Part 32.

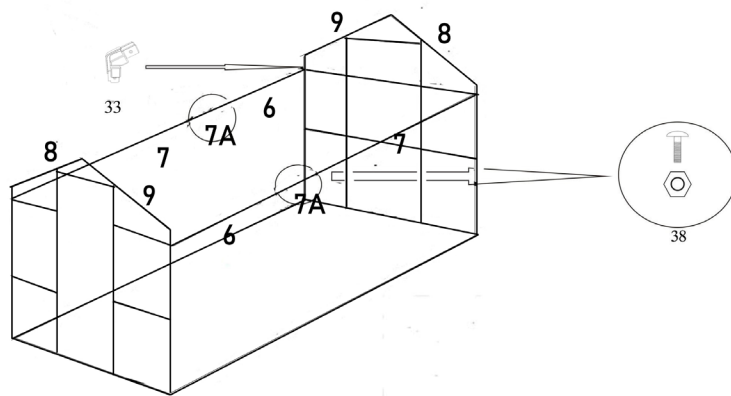


Screw 38: 1, 2A and 2

Screws: 32

## STEP 11

Attach Part 5, Part 6 and Part 7 to completed ends of greenhouse with connector Part 33-1 and 33-2.

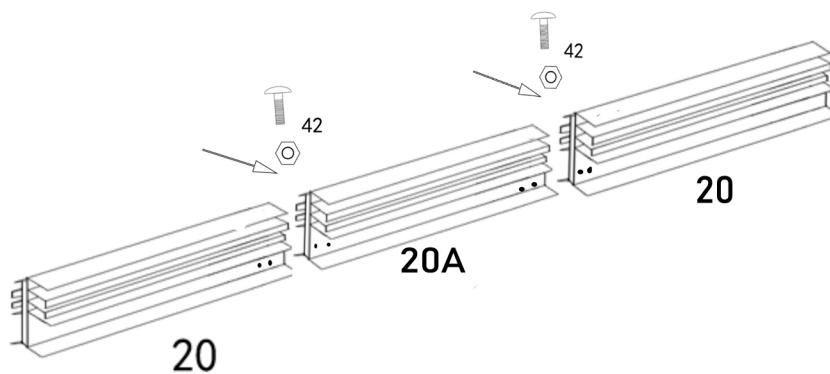


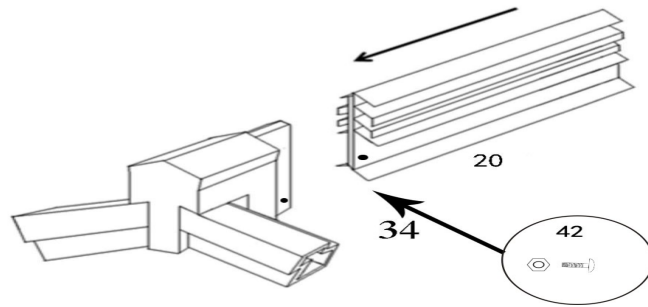
Screws 38: 6, and 7

Screws 39: 33-1 and 33-2

## STEP 12

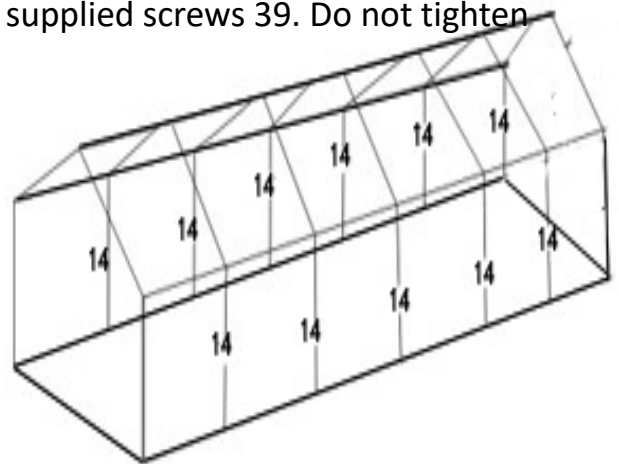
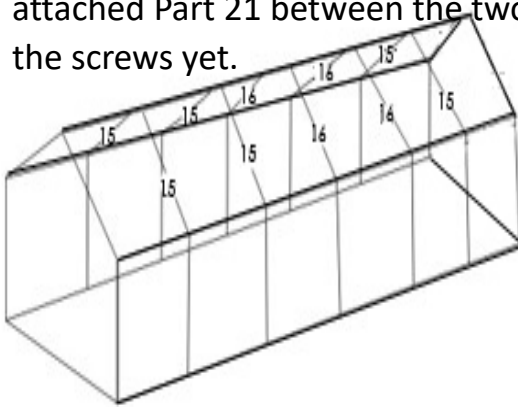
Attach Part 20 to completed ends of greenhouse with connector Part 34. Screws 42.





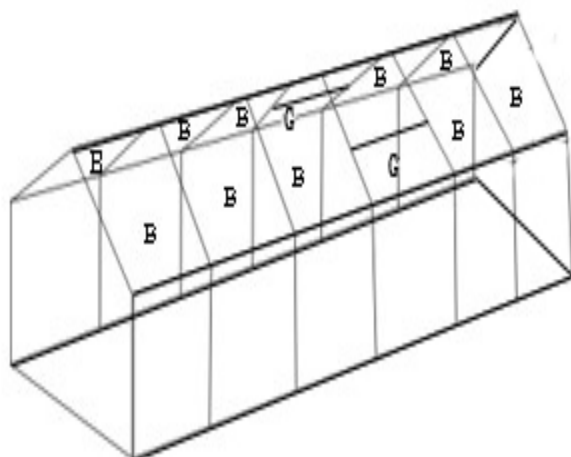
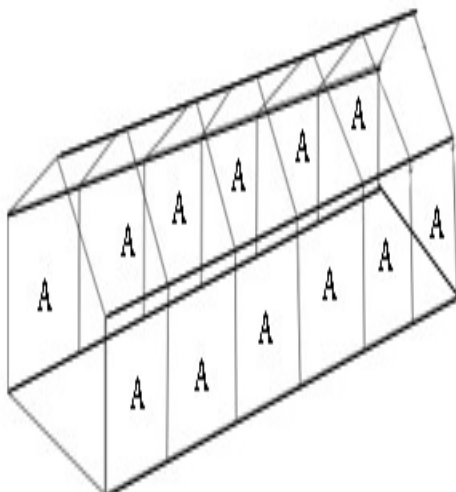
### STEP 13

Attach 4 x Part 15 and 4 x Part 16 to Part 6 and Part 7 with supplied screws 35. Next, attached Part 21 between the two Part 16 with supplied screws 39. Do not tighten the screws yet.



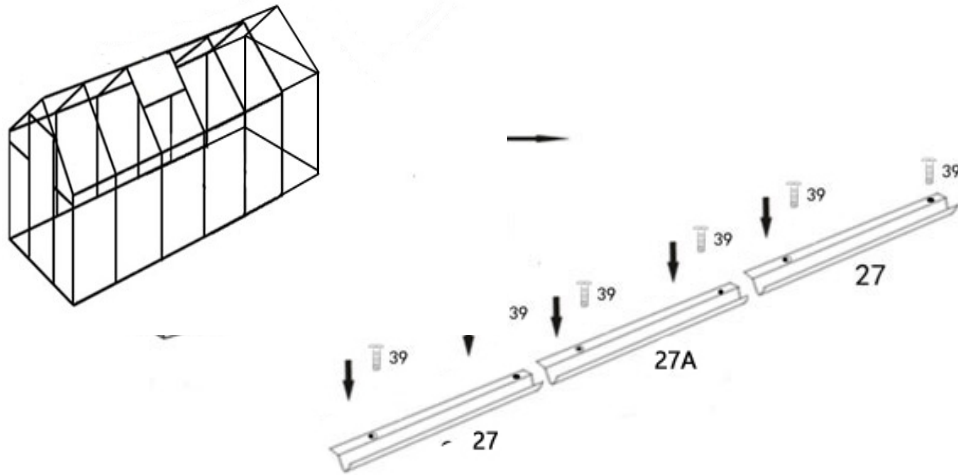
### STEP 14

Slide Panel A (wall), Panel B (roof) and Panel G (roof) into the grooves of Part 16.



## STEP 16

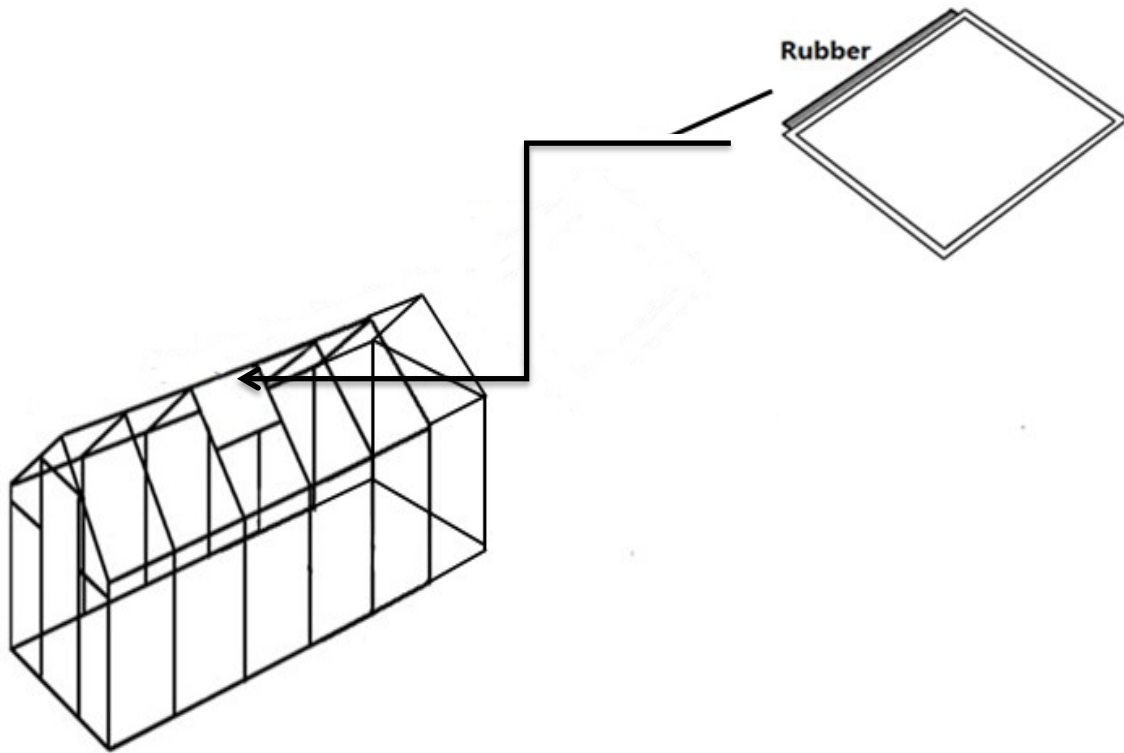
Attach gutter Part 31 to downpipe Part 36 and secure with supplied screws. Do the same assembly for all four sides. Attach the assemblies to Part 6 and Part 7.



Screws 39: 26    Screws 41: 36

## STEP 17

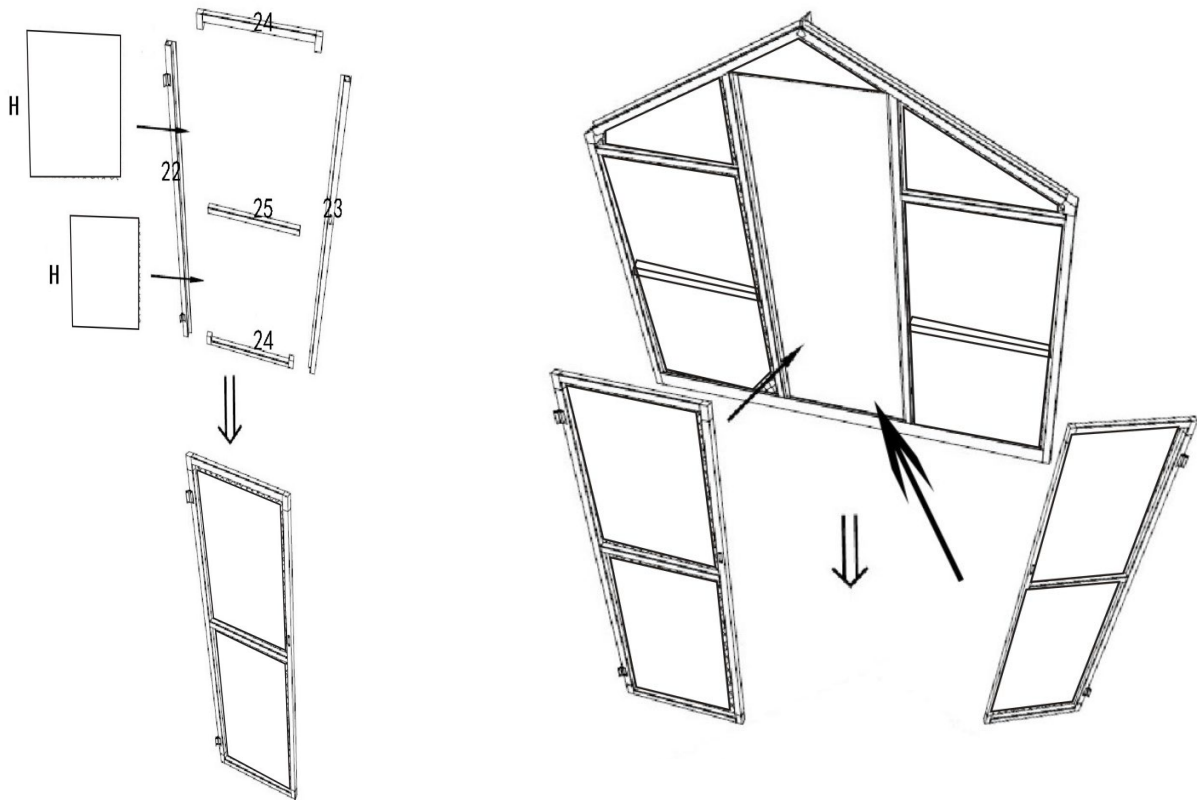
Slide in the roof vent Part26 as shown in the diagram.



### STEP 18

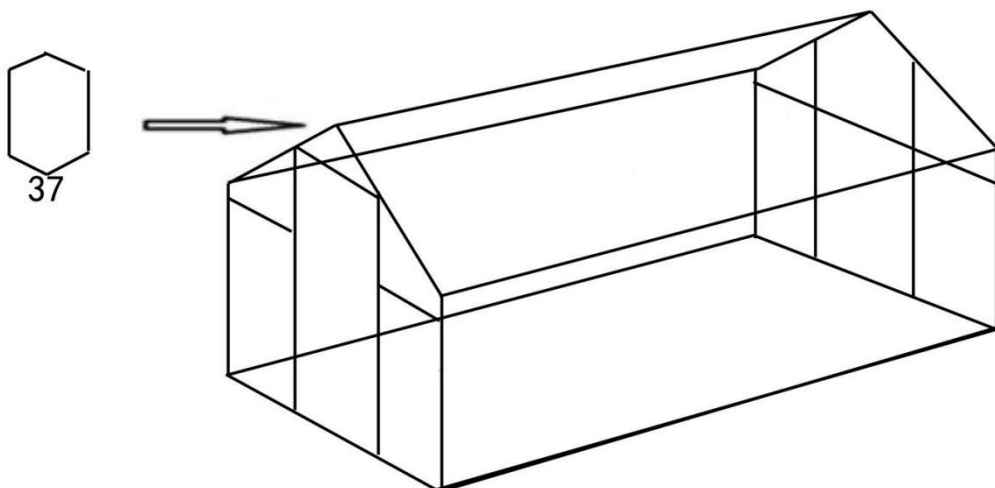
Door assembly.

Don't forget the Screw 39.



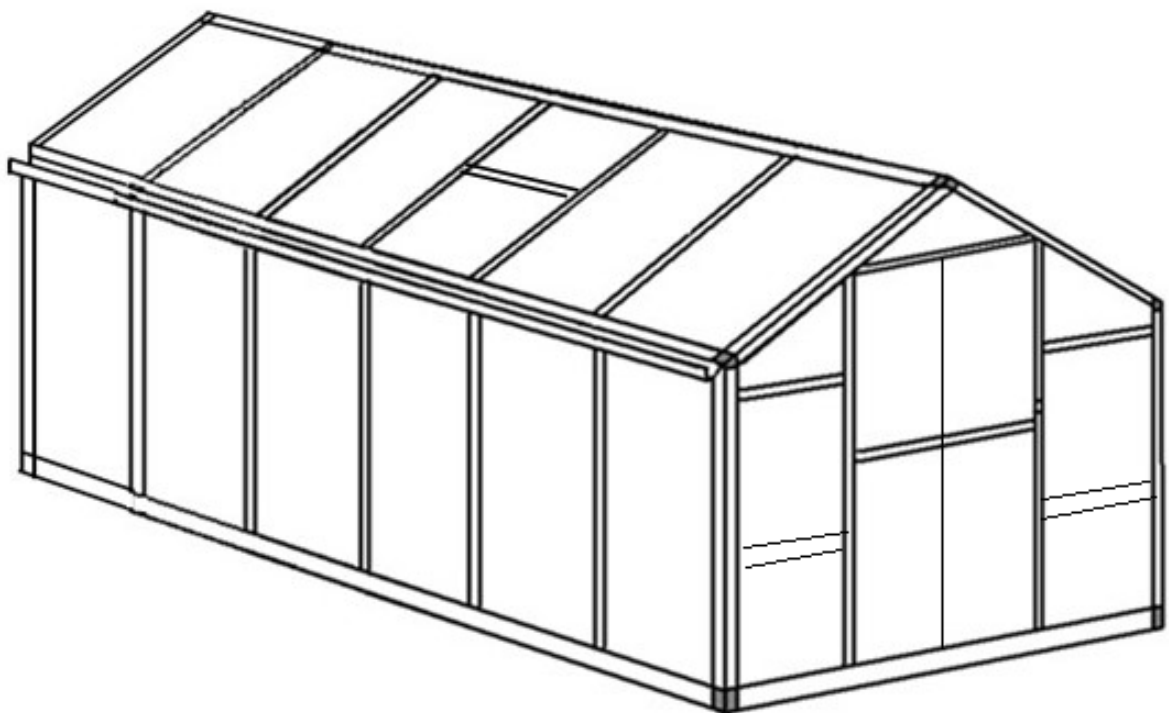
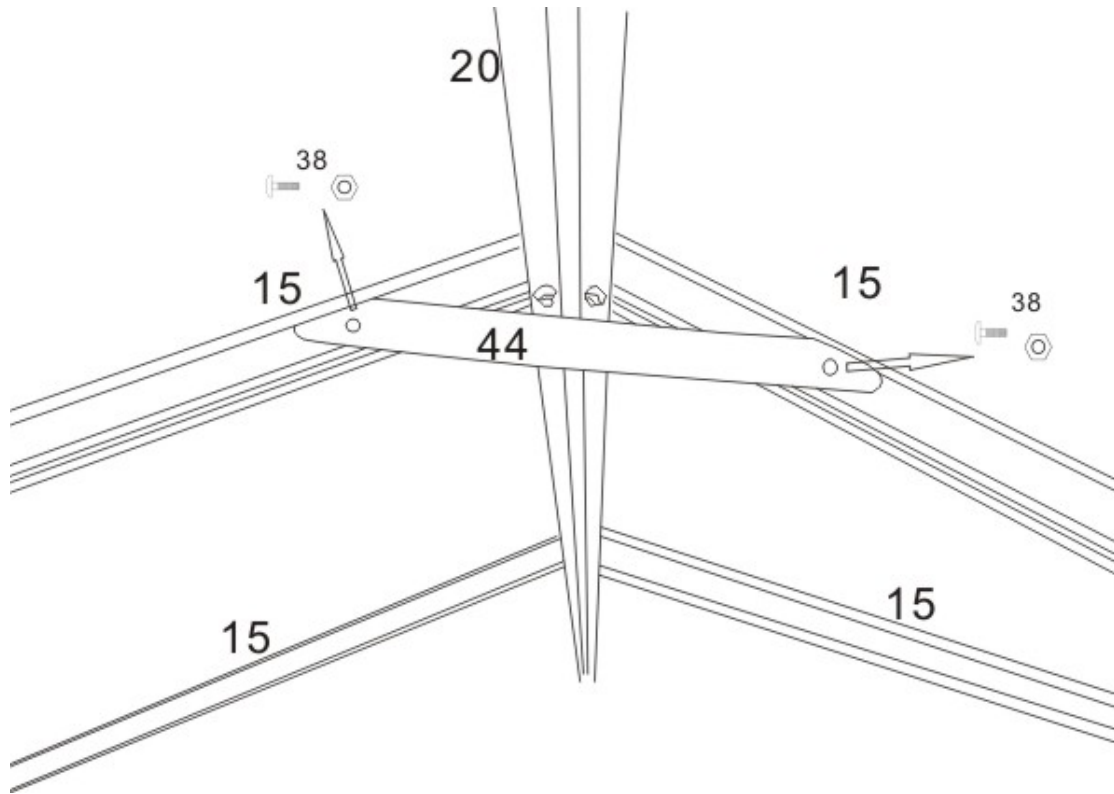
### STEP 19

Attach plastic cap Part 37 to top of roof as shown in the diagram.





Finished



## **COMPLETED ASSEMBLY**

Check and tighten all screws to ensure that the greenhouse is sturdy.