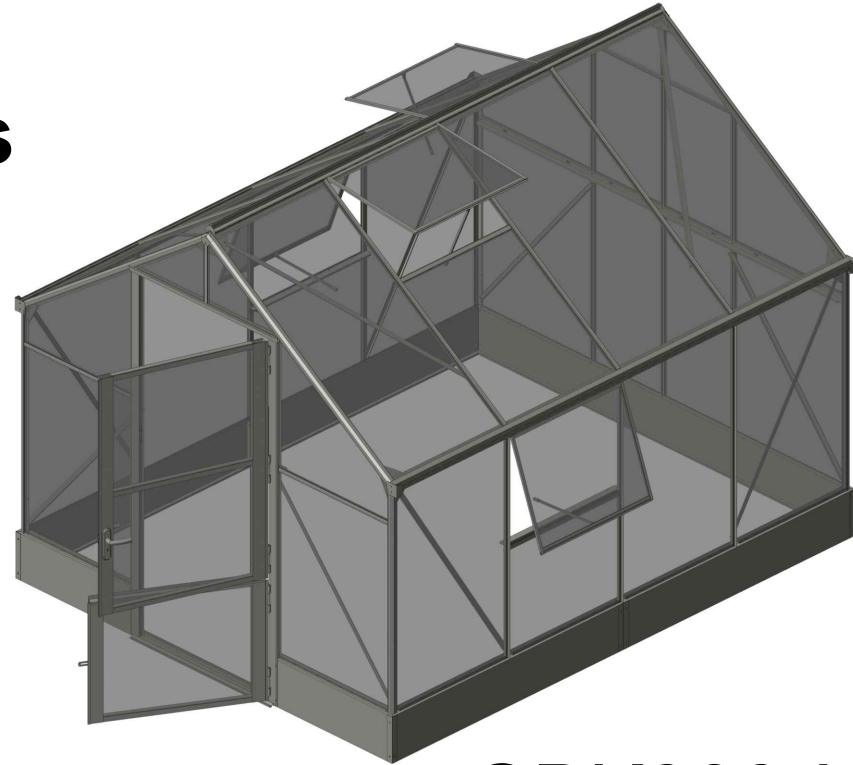


Greenhouse Assembly Instructions

SIZE:300Lx244Wx233Hcm 7.3m²



GBK300-HBD

26/09/2019

IMPORTANT

You must read these instructions carefully before you start to assemble this greenhouse. Please ensure that you find all parts in the carton box in the correct type and quantity as mentioned in the list illustrated in every page accordingly.

Please carry out the steps in the order set out in these instructions.

Do not tighten the steps in the greenhouse until completing on the assembly of the poly carbonate panels. Keep these instructions in a safe place for future reference.

SAFETY ADVICE

We strongly recommend the use of work gloves during assembly.
Do not attempt to assemble the greenhouse in windy or wet conditions,
Do not touch overhead power cables with the aluminum profiles.
Always wear shoes and safety goggles when working with extruded aluminum.
Dispose of all plastic bags safely-keep them out of reach of small children.
The greenhouse must be positioned and fixed on a flat level surface.
Do not lean against or push the greenhouse during construction.
Keep children away from the assemble area.
Do not position your greenhouse in an area exposed to excessive wind.
Do not attempt to assemble this greenhouse if you are tired ,have taken drugs or alcohol
or if you are prone to dizzy spells.
If using a step ladder or power tools ensure that you follow the manufactures safety advice.
Hot items such as recently used grills, blowtorches etc.must not be stores in the greenhouse.
Ensure there are no hidden pipes or cables in the ground before inserting the pegs.

GENERAL ADVICE

This is a multi-part assembly, Allow at least 200-300 minutes for assembly.
Selecting a site-choose a sunny level position away from overhanging trees.
If you are fixing your greenhouse directly to a solid concrete foundation use the pre drilled
holes in the metal base supplied.
The component parts should be checked and laid out close at hand.
Keep all small parts(screws etc)in a bowl so they do not get lost.
Note that the door is hinged on the right hand side and therefore opens tothe right.
Keep roof clear of snow and leaves.

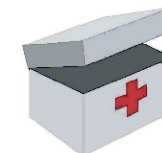
CARE & MAINTENANCE

When your greenhouse needs cleaning, use a mild detergent solution and risen with cols
clean water.
Do NOT use acetone, abrasive cleaners or other special detergents to clean the clear panels.

TOOLS & EQUIPMENT REQUIRED

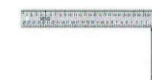
Protective Equipment:

- 1.Helmet
- 2.Glove
- 3.Long Sleeve Cotton Overalls
- 4.Emergency Medicine Cabinet
- 5.Eye Shield



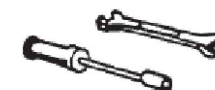
Measure (metric):

- 1.The Tape (5 m)
- 2.Angle Square
- 3.Level Meter



Installation Tool:

1. Triangle Stairs≈1.5m Height x2
2. Spanner 10mm (Ratchet Wrench is better)
3. Electric screwdriver+10mm hex bolt sleeve(suggest)
4. Wooden Mallet
5. Marking Pen
6. Silicon
7. Knife
8. Phillips screwdriver
- 9.WD-40
- 10.Drill bit Ø3 and Ø7



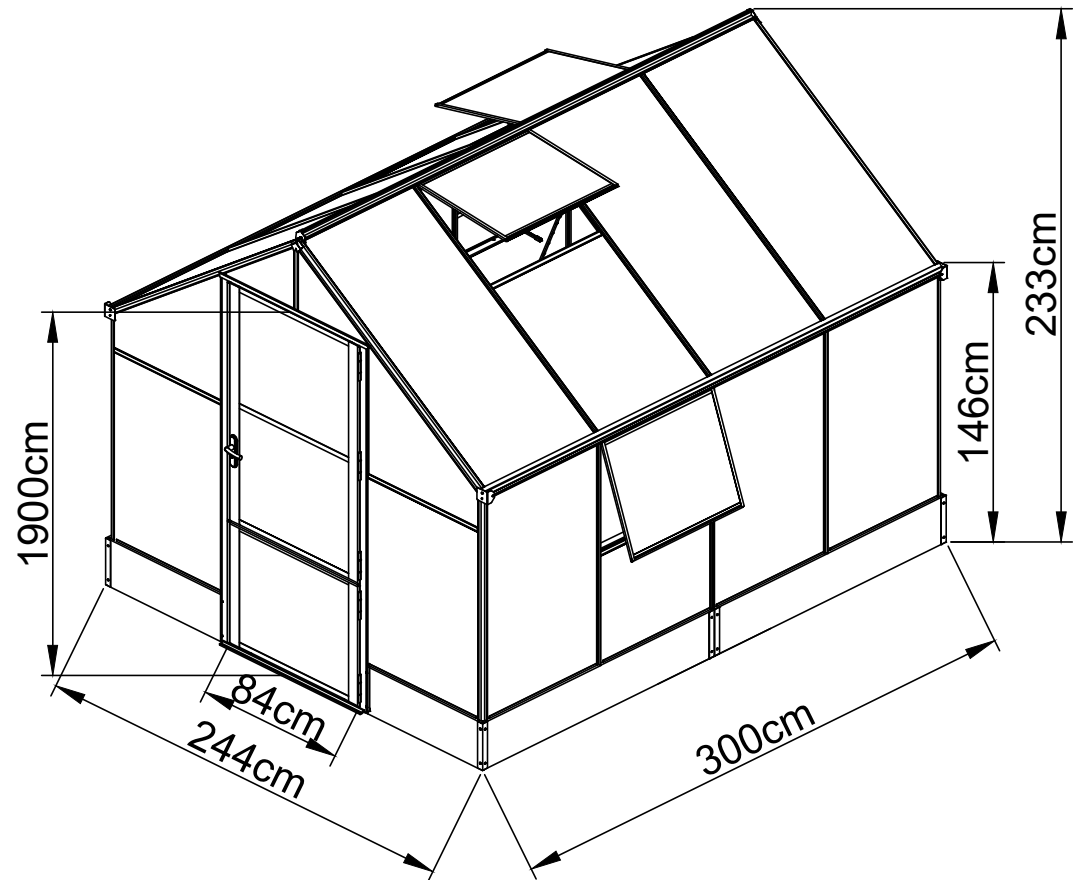
PRODUCT SIZE

Firstly, make sure a good installation location.

Find a flat ground which is 2 times bigger than the Green house before installation.










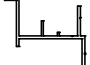




OTHER CAUTIONS









1. 2-3 people required, one is for measuring & taking marks to ensure the installation dimension ,the second person is responsible for the installation and the last one do as assistant and assure the safety.
2. High-power electric tools are required, ensure the normal work of them and highly pay attention to electric safety.
3. Be careful when using the kind of blunt tools, like hammer.
4. Wearing long sleeve cotton overalls,gloves and helmet during installation and wear safety glasses when using power tools.
- 5.No up watching when working height, or the drop screws may hurt your eyes and suffocation causing accidentally when fall into your mouth.
6. No climbing, No standing on the tent to avoid falling down.
7. If injuries immediately, using the first-aid kit to stop bleeding,bind up, In case of emergency, taken immediately to a nearby medical institutions.



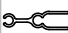









PARTS LIST(2-1)

DOOR

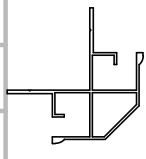



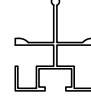





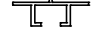




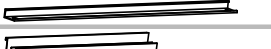








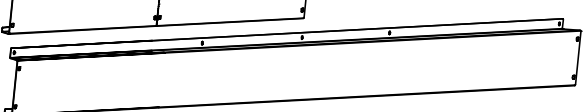




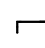
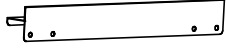
NO.	Qty.		
BD01A	1		1248mm 
BD02A	1		
BD03A	2		637mm 
BD02	5		714mm 
BD07	1		911mm 
BD09	1		960mm 
BD08	1		1921mm  Up
BD10	1		

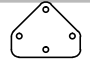
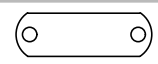

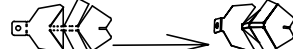

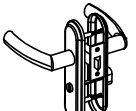

NO.	Qty.		NO.	Qty.	
5	5		F1	10	 M5x120
6	10		L5	5	
L7	1		F5	18	 T5x15
L2	2		F05	12	 M5x1

WINDOW



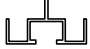















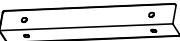




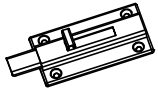
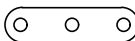
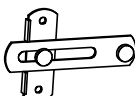


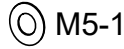
NO.	Qty.		NO.	Qty.	
BW1	4		S9	4	
BW2	4		F2	18	 T5x12
W3	8		F5	41	
W4	4		F8	12	 M4x10
S8	4		F9	4	 M4x20

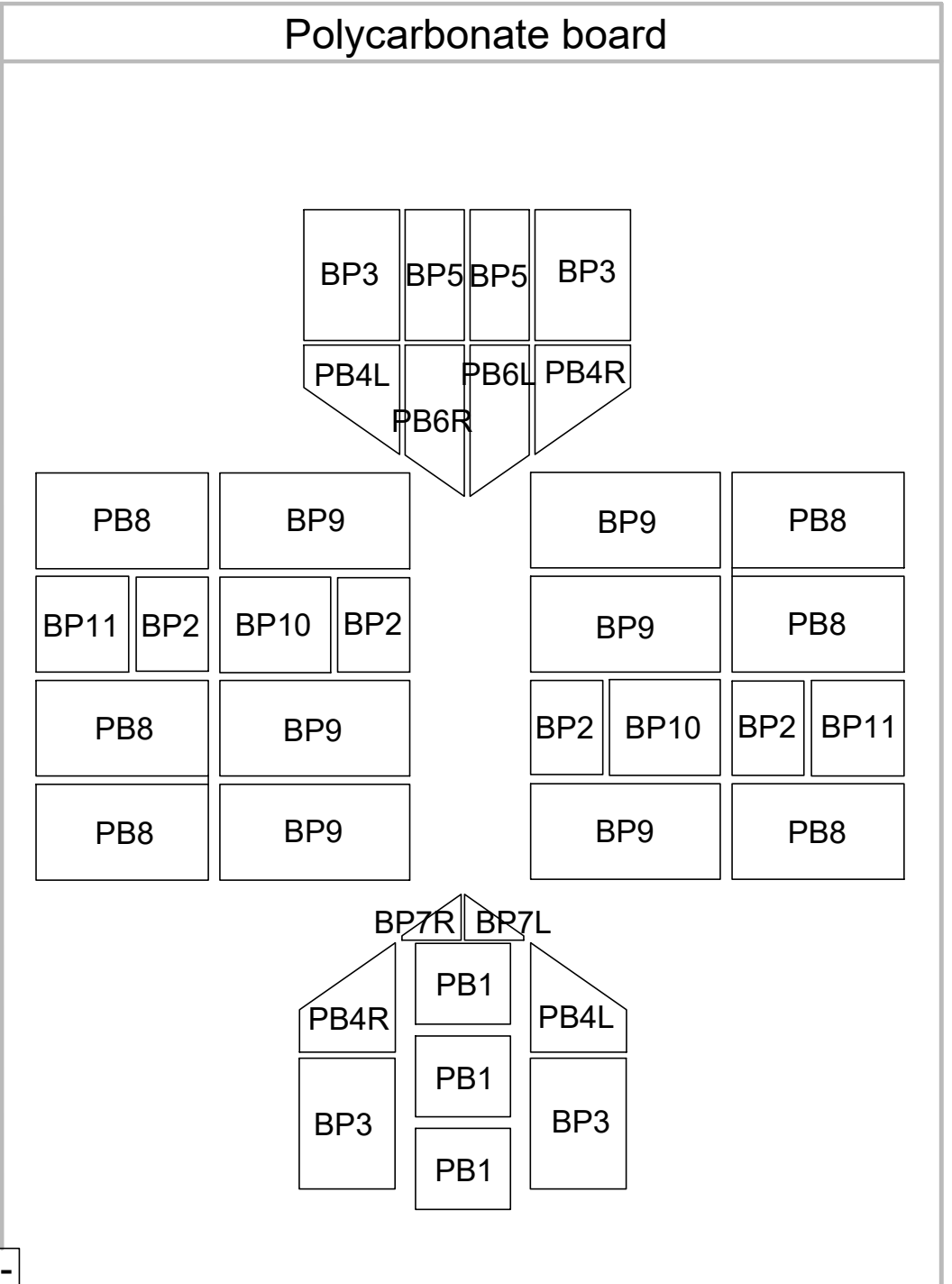
Front wall and back wall

NO.	Qty.		
BA01	2		1452mm  Up
BA03	2		
BA02A	4	1180mm 	
BA05A	1		1703mm  Up
BA07A	1		
BA06A	1	2005mm 	
BA08	4		709mm 
BA09	2		429mm 
BA10	1		326mm 
BA11	4		1160mm 
BA12	1		932mm 
BA15	4		695mm 
BA18	2		426mm 
BB1A	1		1526mm 
BB2A	1		2438mm 
BC2	1		2378mm 
BW5	2		690mm 
L6	1		832mm 

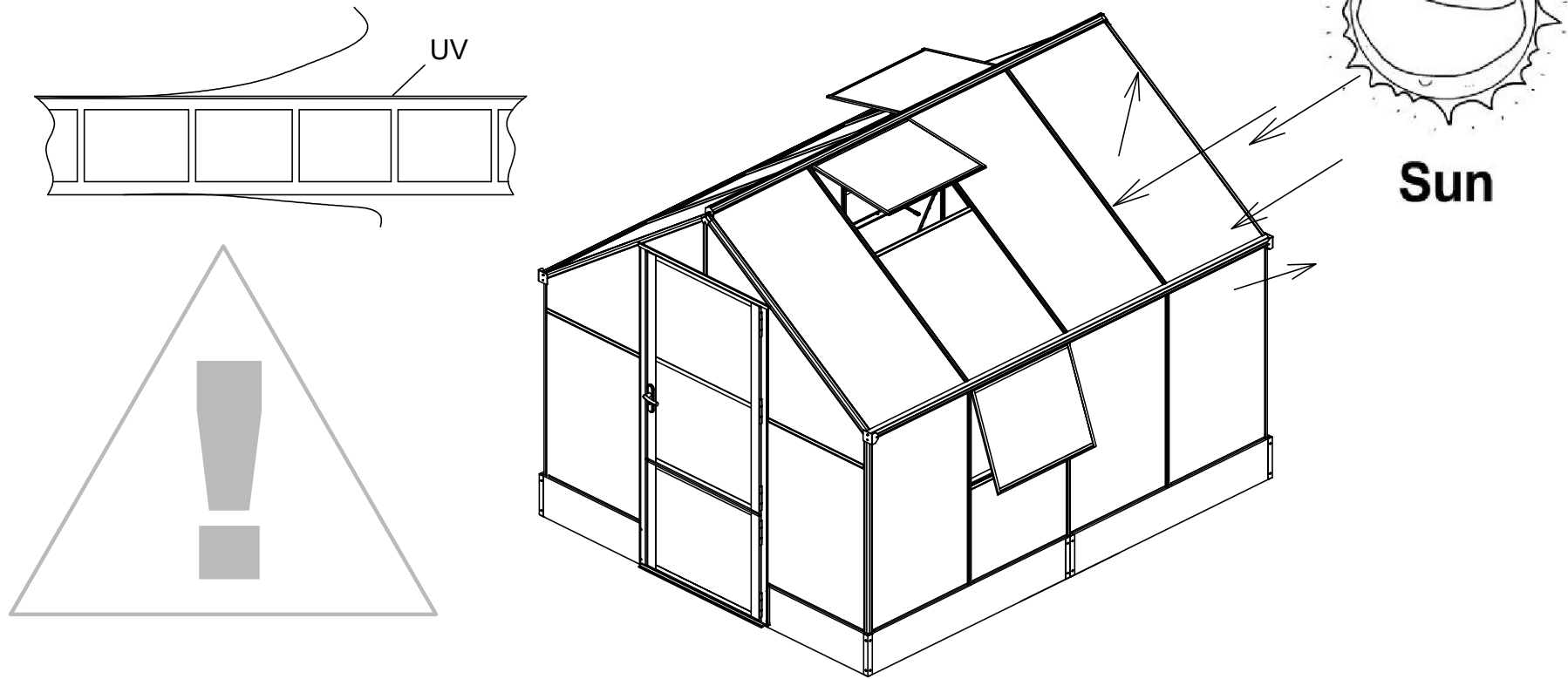
NO.	Qty.		NO.	Qty.	
C1	12		C2	2	
C5	4		C8	2	
C6	2		L1	1	
C7	4				

PARTS LIST(2-2)

Left and right walls and top					
NO.	Qty.				
19A	6	 1180mm 			
B20	6	 1431mm 			
BA08	4	 709mm 			
B10A	8	 1300mm 			
BA15	8	 695mm 			
B31E	2	 2938mm 			
B32E	2	 2975mm 			
B38E	1	 2916mm 			
BB3L	2	 1500mm 			
BB3R	2				
NO.	Qty.		NO.	Qty.	
3A	8		F3	12	 M5x20
BC3	4		F4	224	 M6x10
GS	4		LH	1	
B9	2				
L3	1				
F4-2	x4		F05	n	 M6x1
					 M5-1



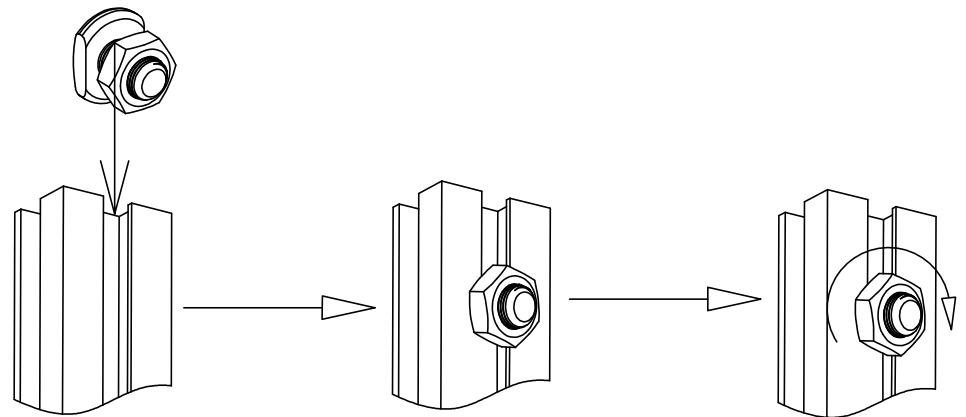
Towards the white film side to the sun as it is UV-protected.



Screw installation

Place the screw into the groove, turn clockwise until it stops turning. Adjust the screw by hand and twist so threads fix it in place.

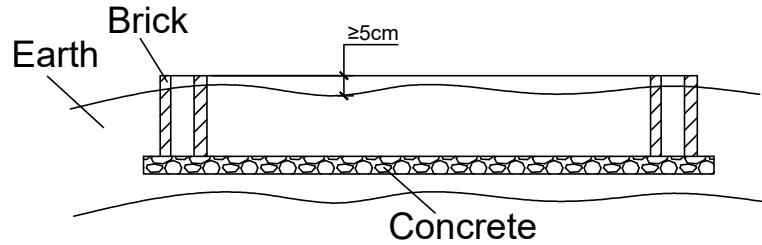
Place other parts on screw and assemble nut .



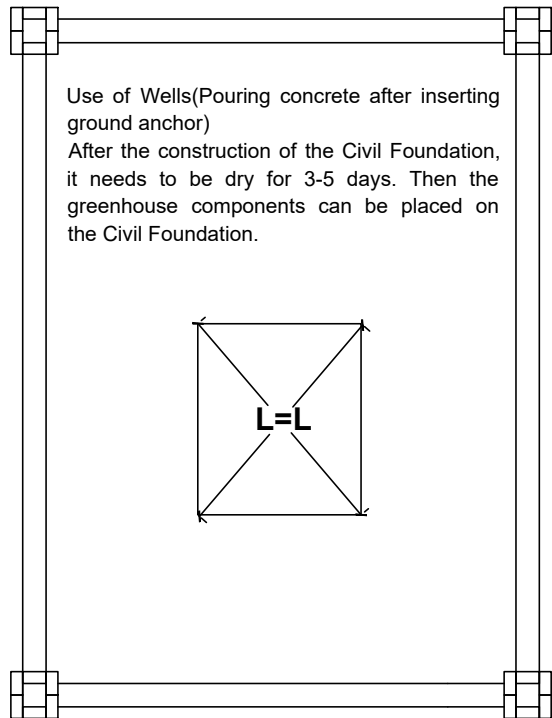
Installation instructions and illustrations

1. Make sure the ground flat and firm before installing, avoid the ground subsidence and cause the greenhouse to tilt.
2. If you need to permanently install without moving, please use solid bricks and concrete to make the building foundation, make the house stronger.
3. Additional ground anchors or expansion screws required for different floors are required to be purchased by the user, and this product is not provided.

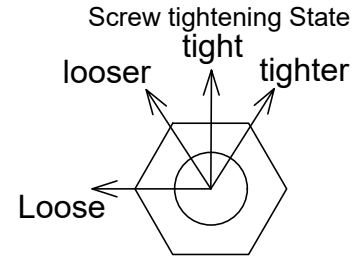
1. Before installation, you need to know the meaning of the following symbols.
2. Follow the pattern to install faster and less effort.



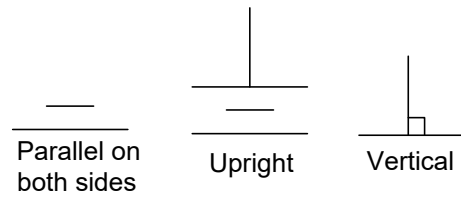
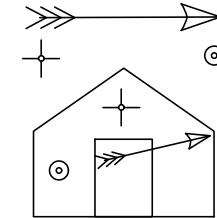
Unit:cm
Ratio: 1:80



Use of Wells(Pouring concrete after inserting ground anchor)
After the construction of the Civil Foundation, it needs to be dry for 3-5 days. Then the greenhouse components can be placed on the Civil Foundation.



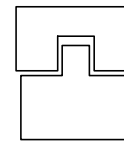
Installation process Perspective



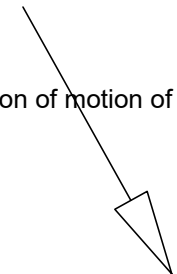
Silicon



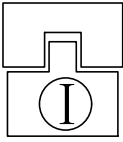
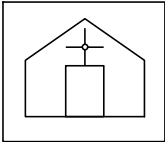
Components, preloaded



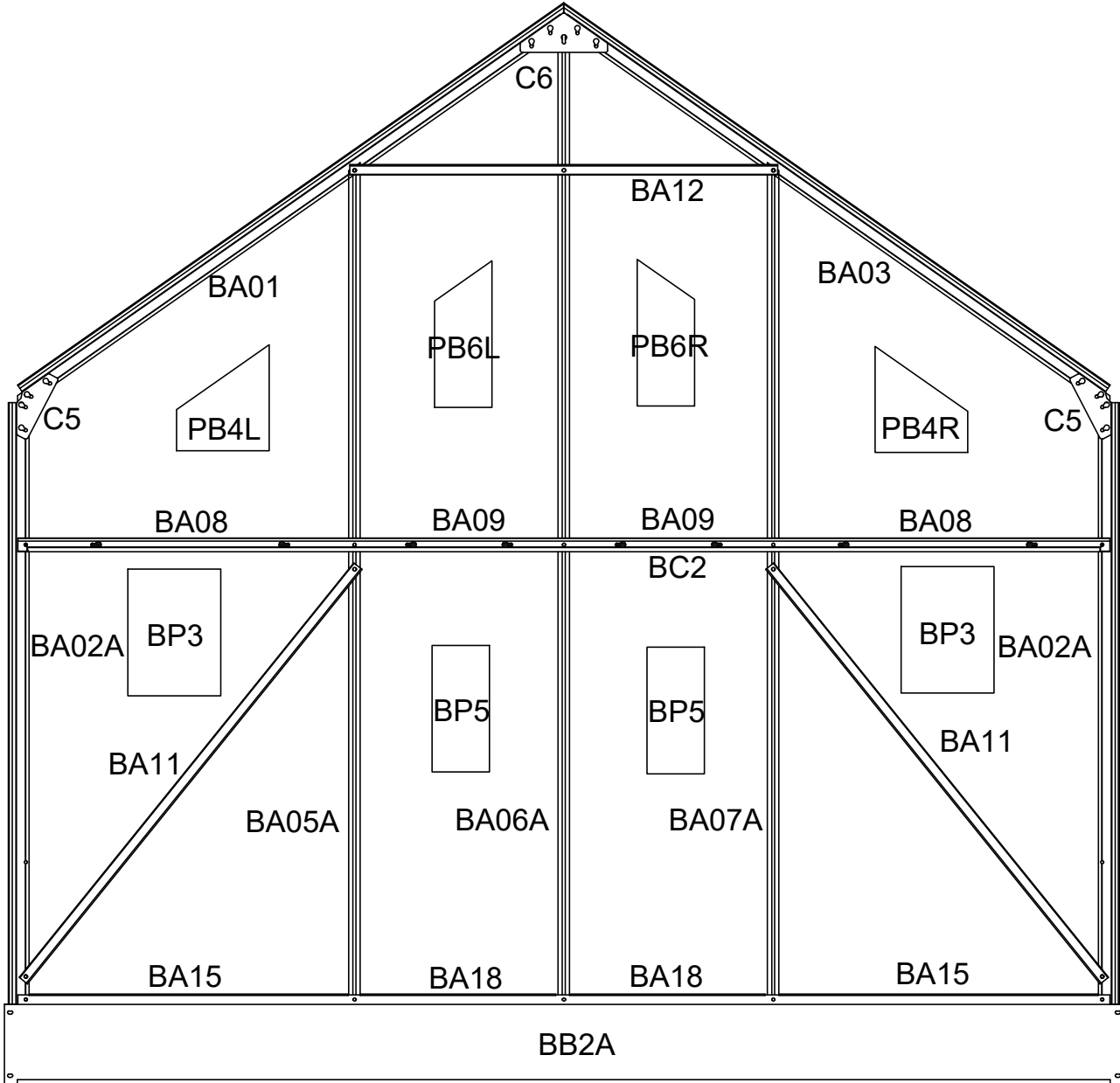
Direction of motion of force

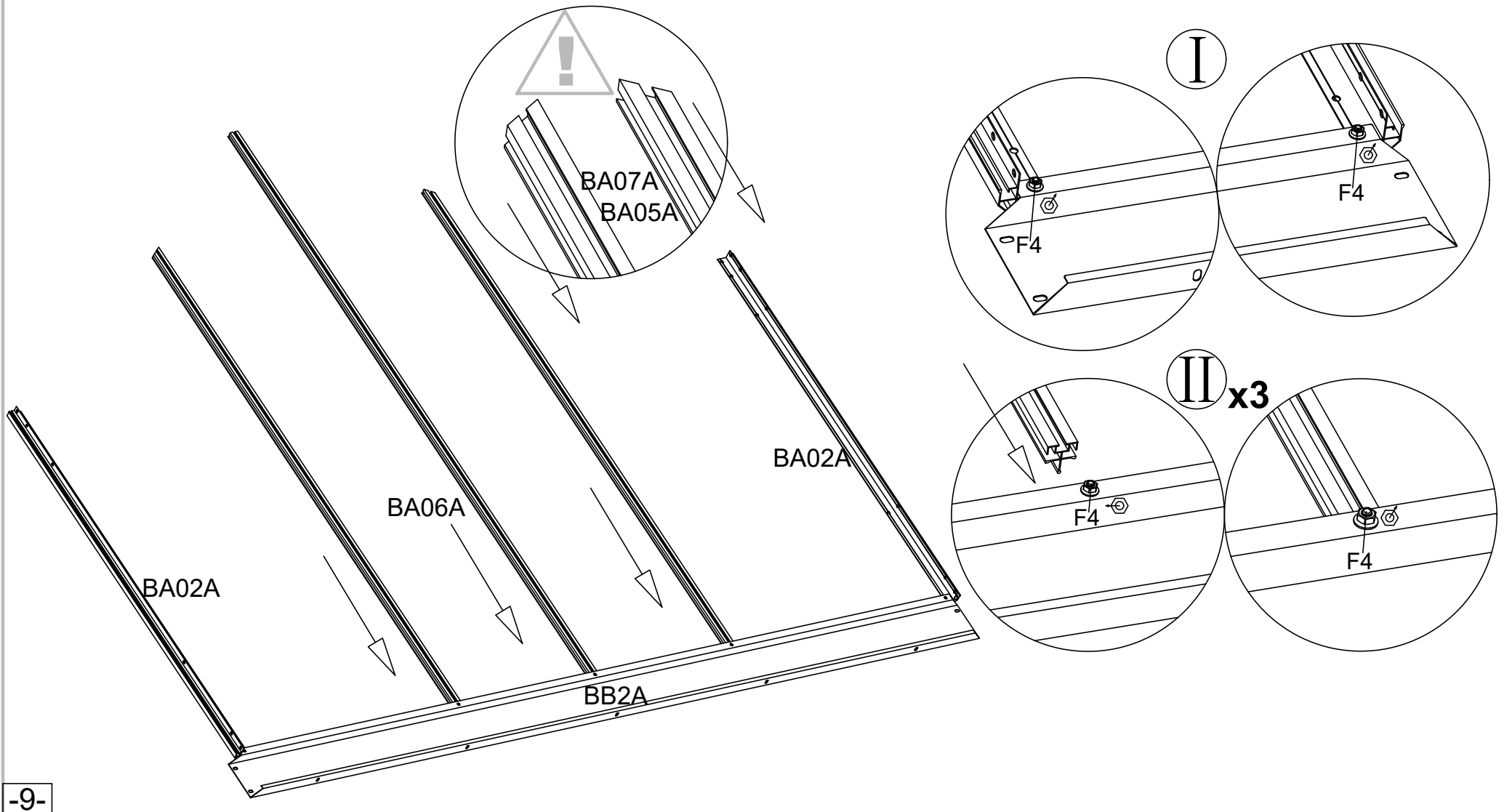
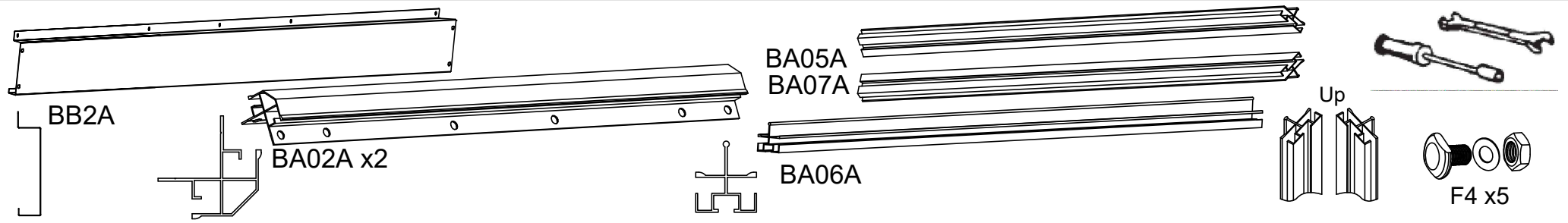


Back wall



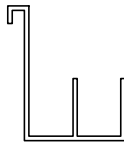
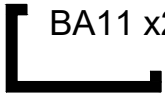
F4 x38







BA11 x2



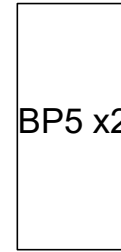
BA15 x2



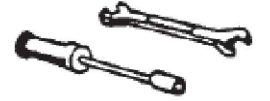
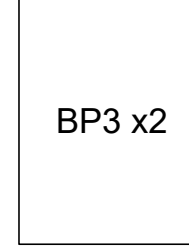
BA18 x2



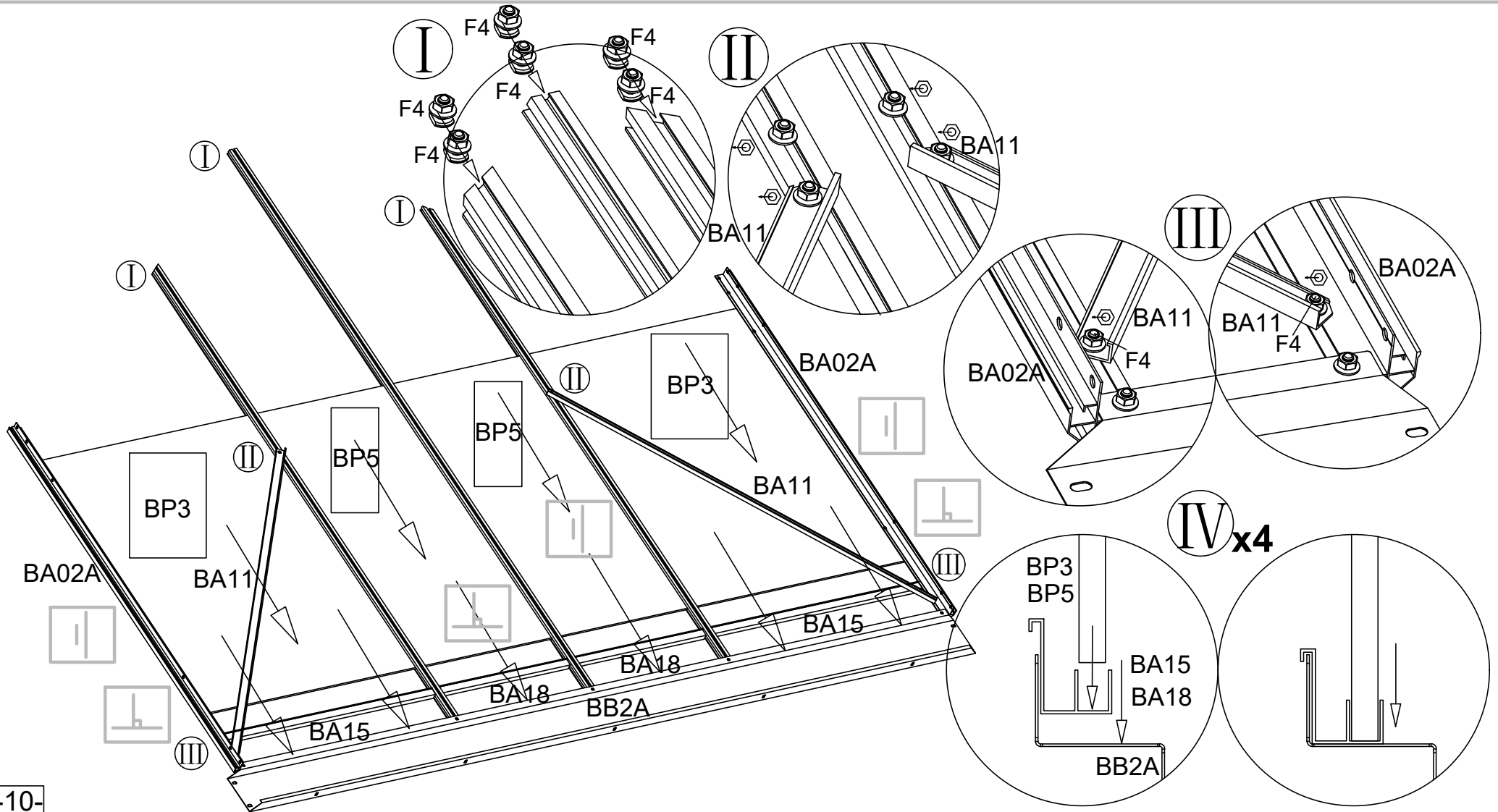
BP5 x2

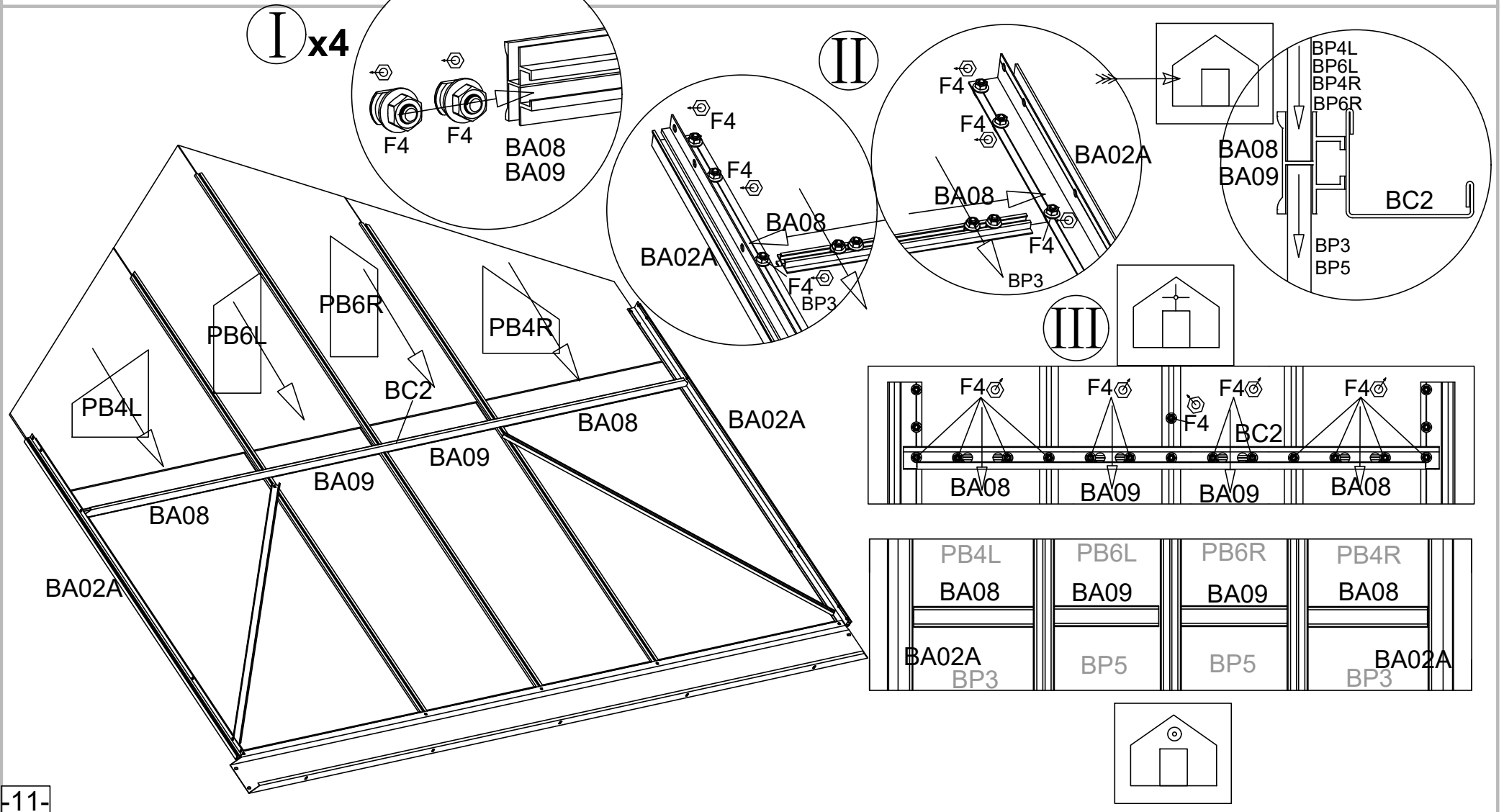
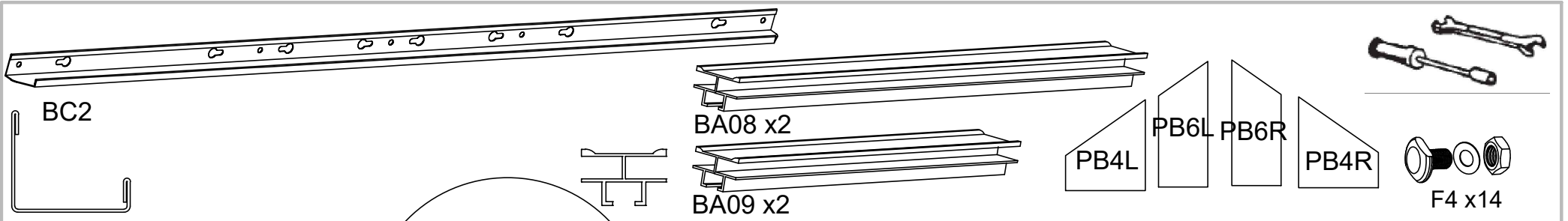


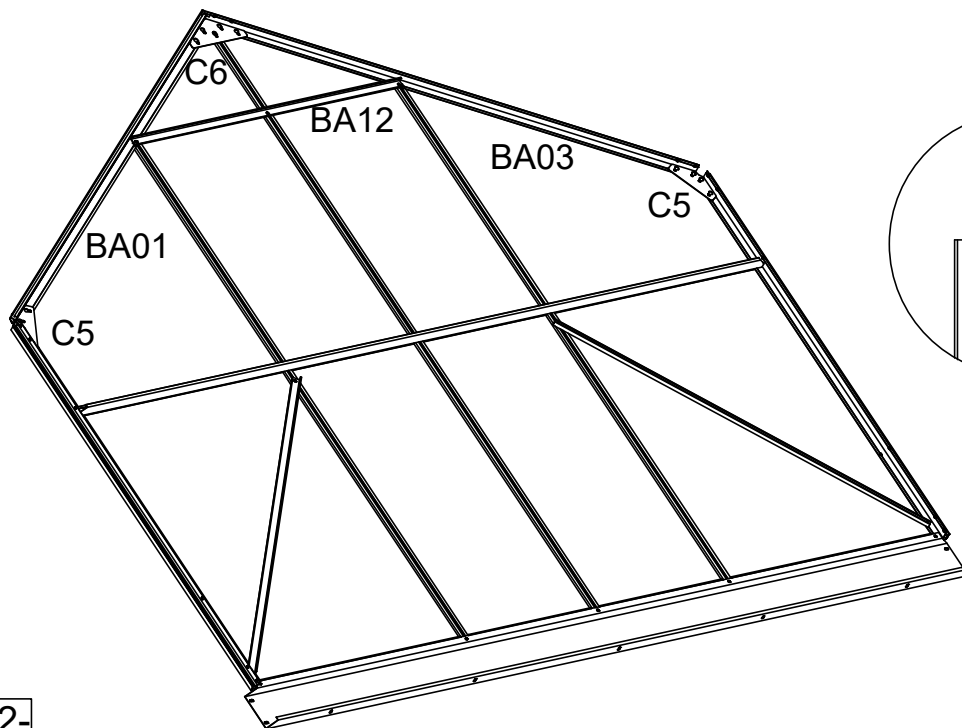
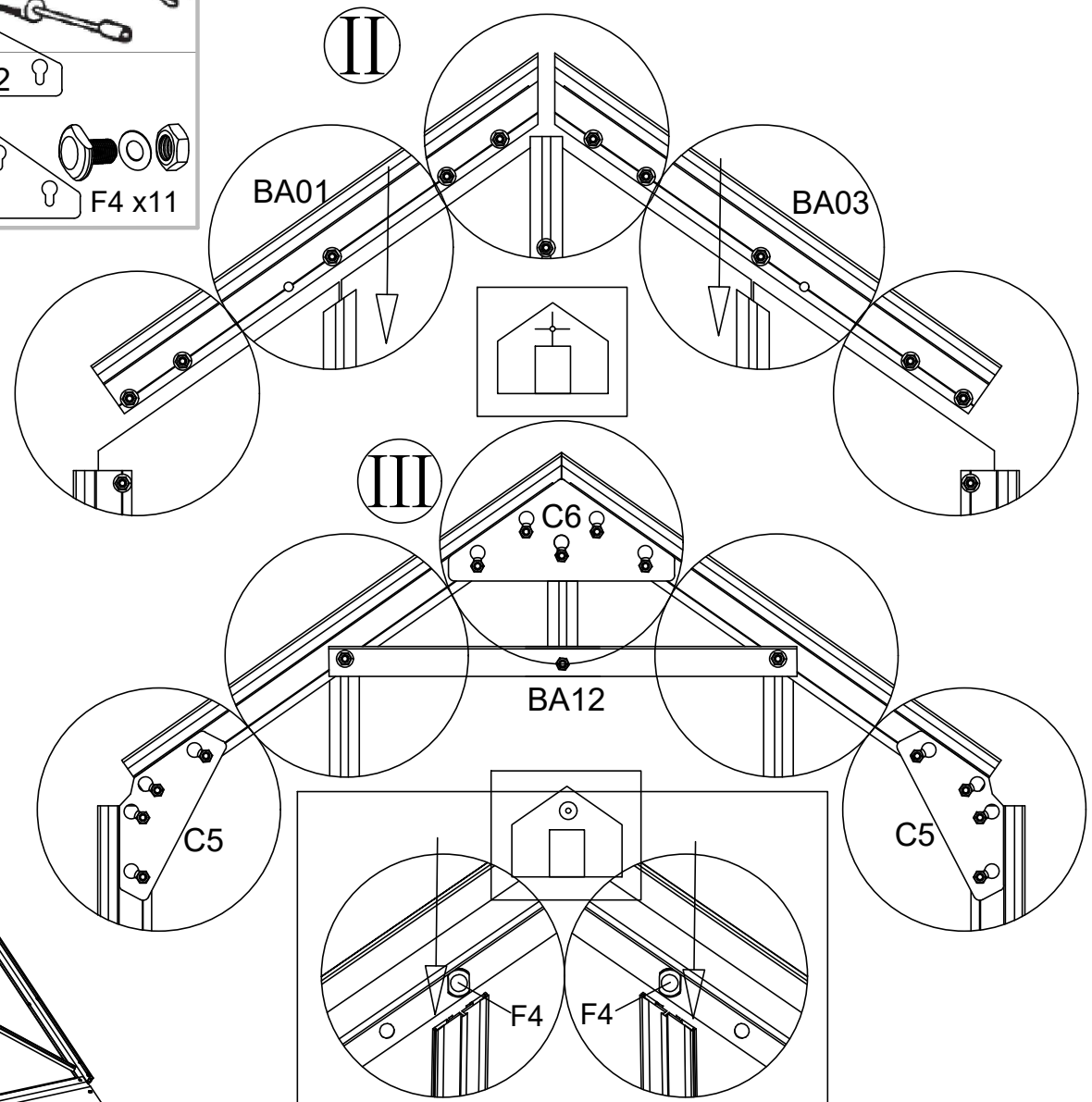
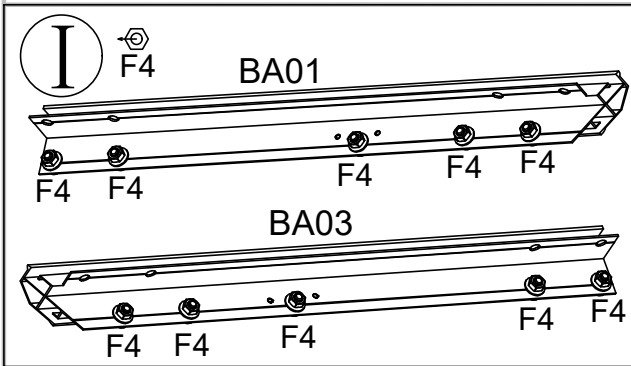
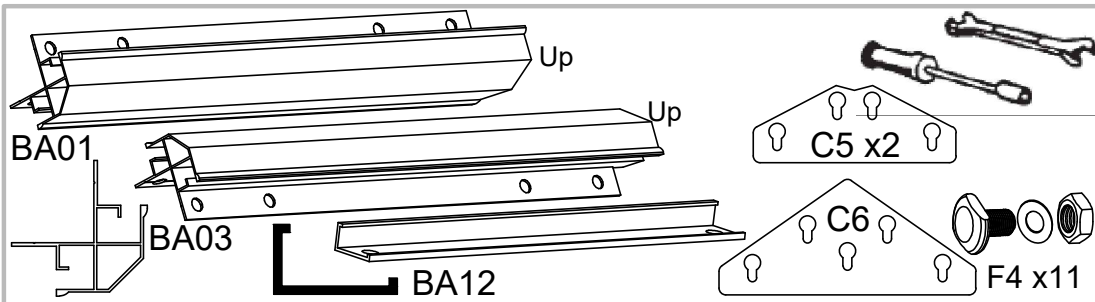
BP3 x2



F4 x8

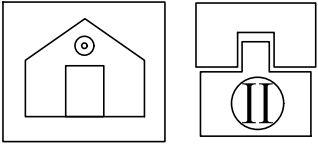




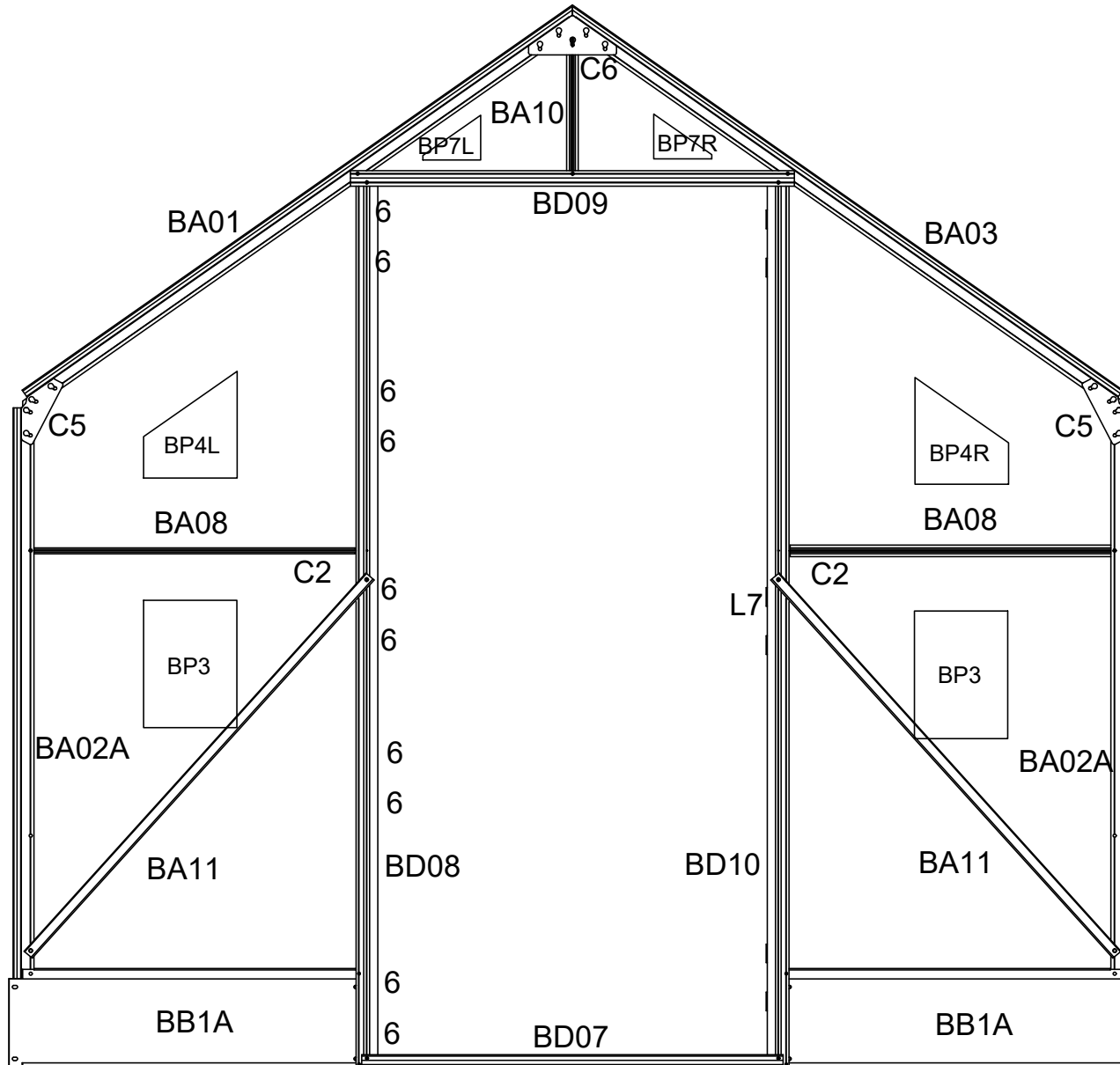


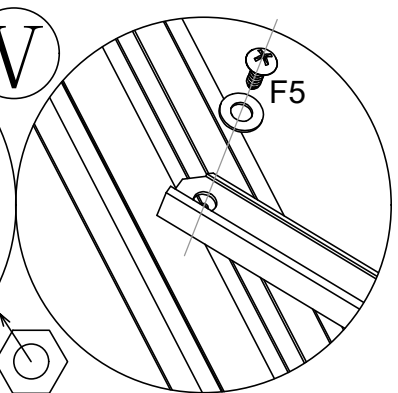
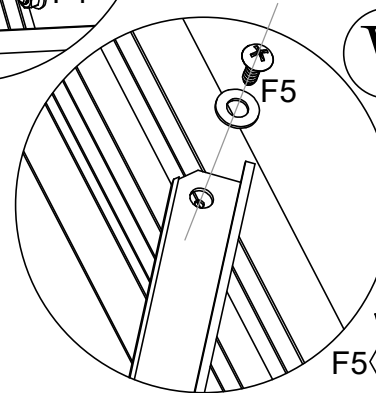
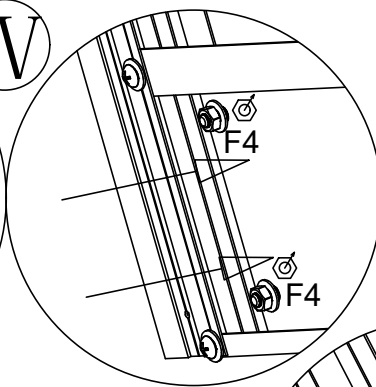
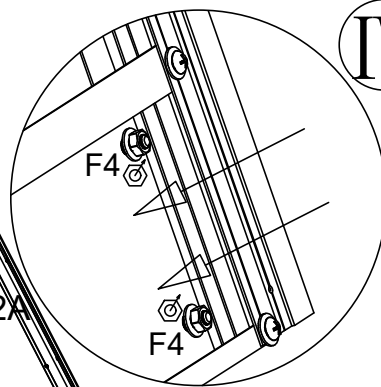
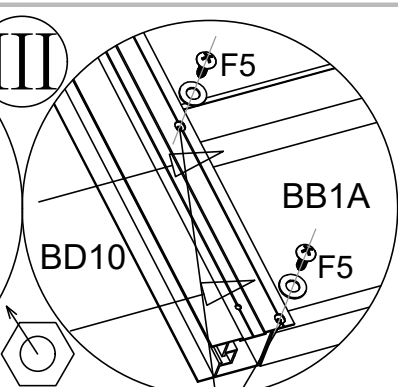
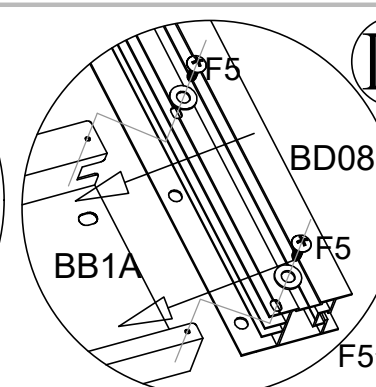
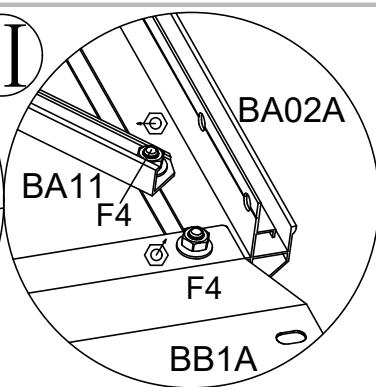
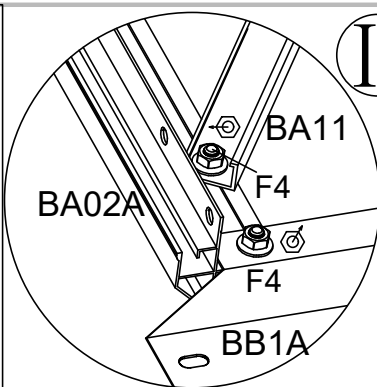
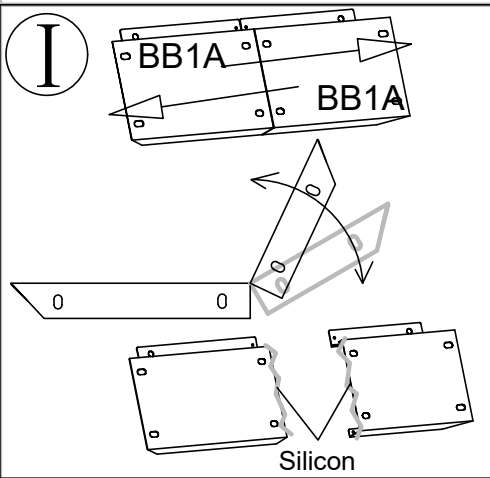
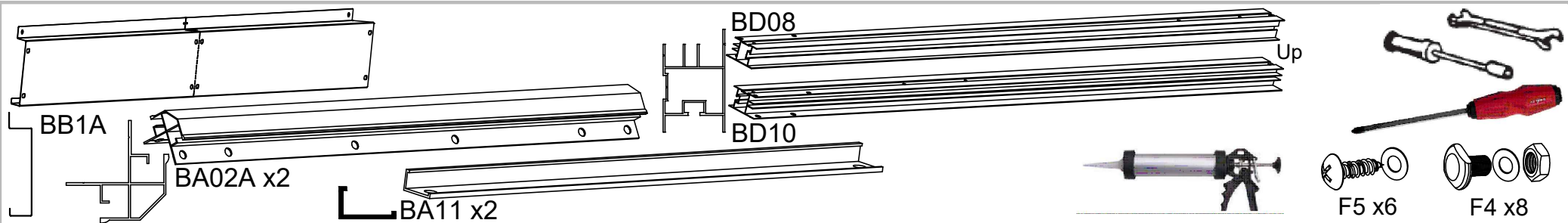

F4  All the screws on the back wall are locked.

Front wall

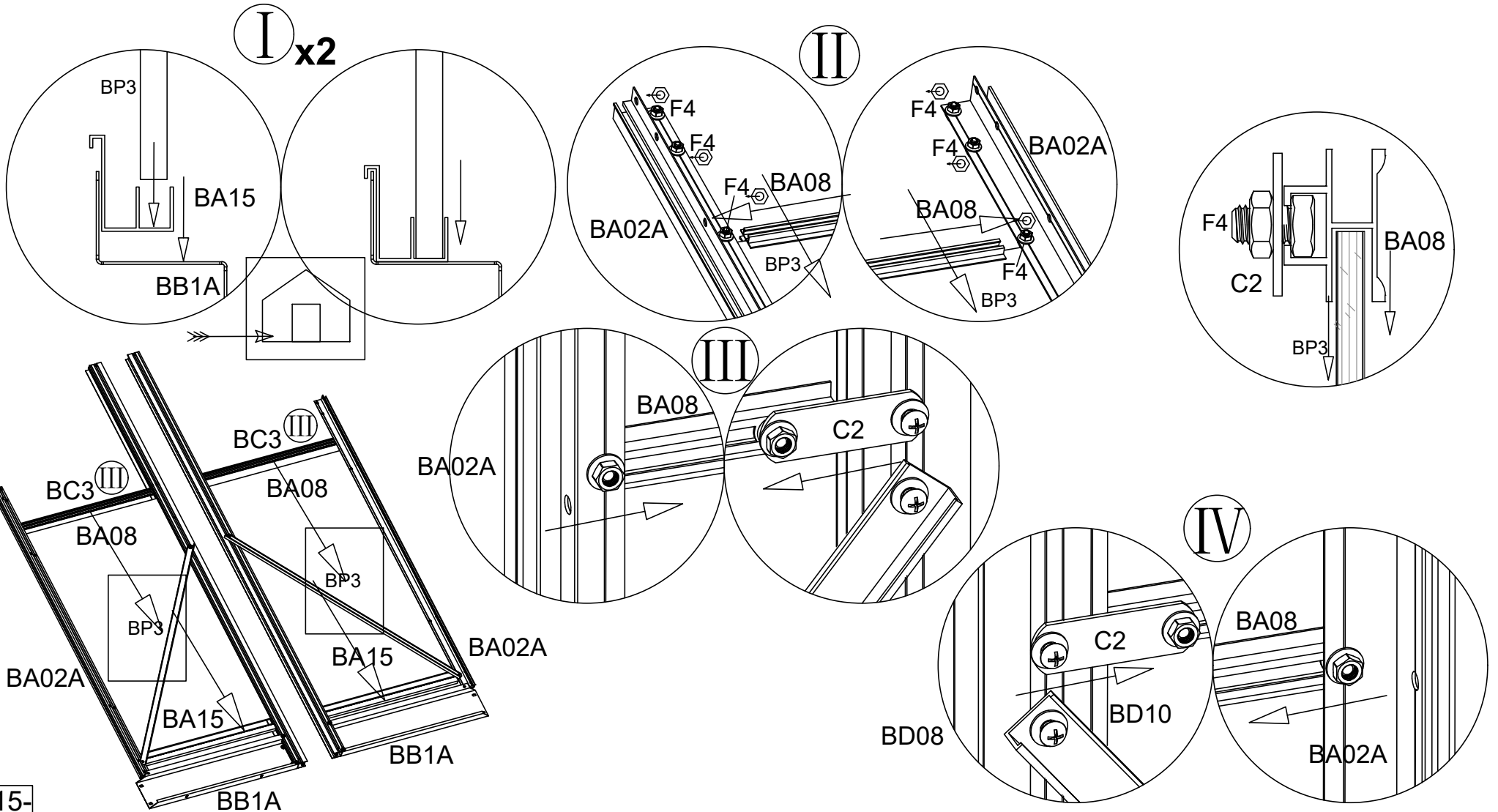
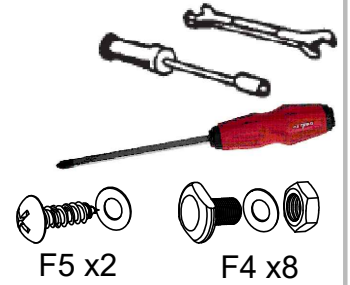
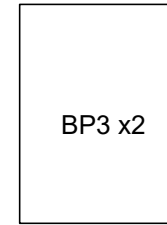
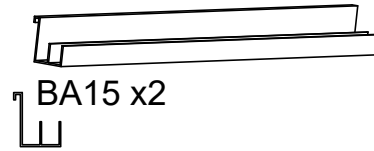
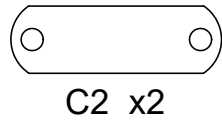
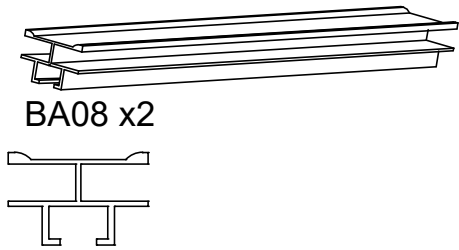


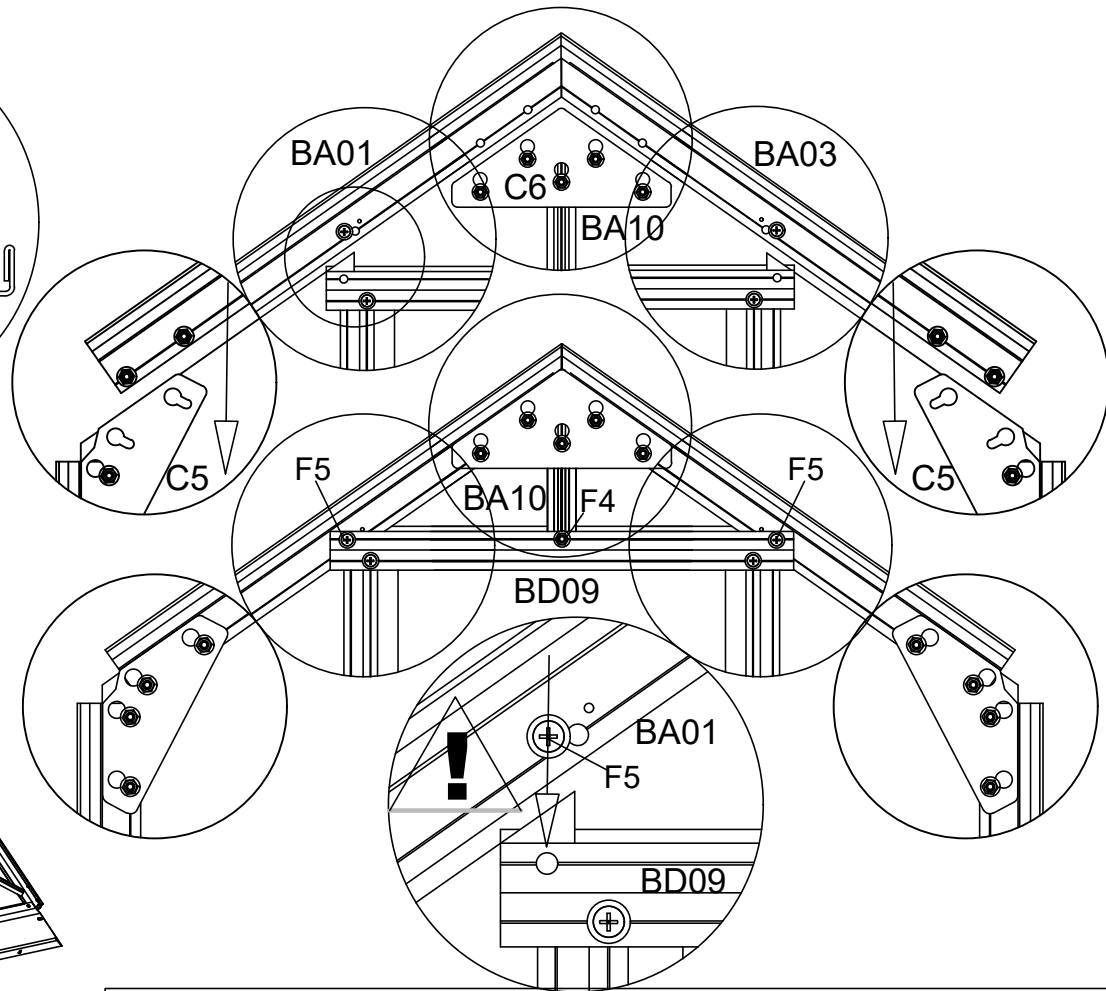
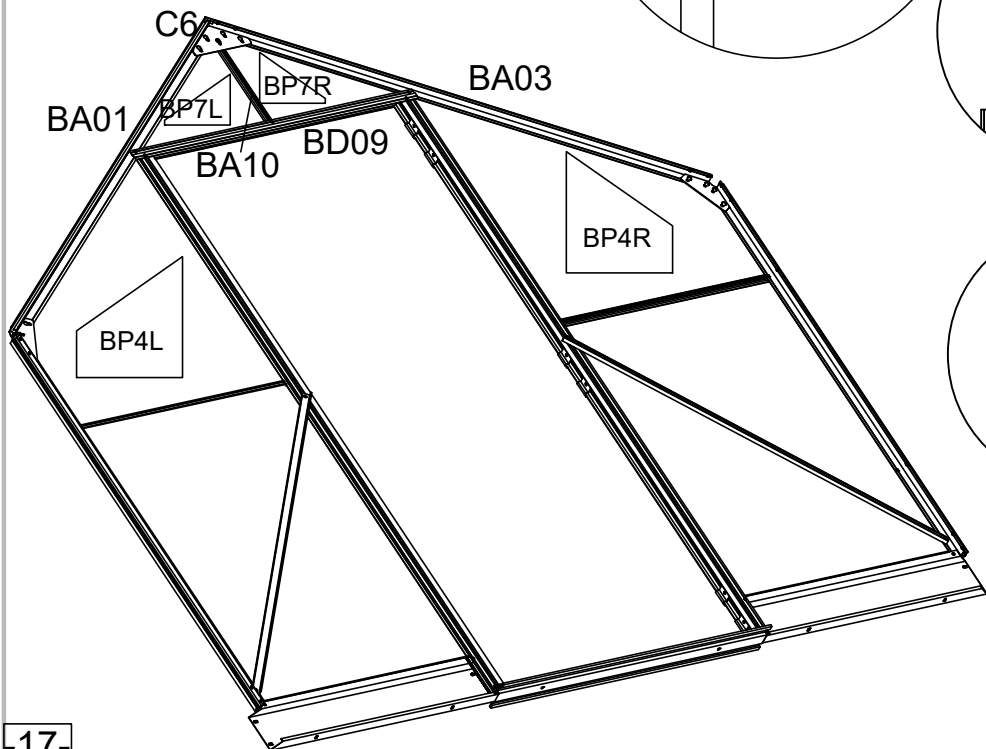
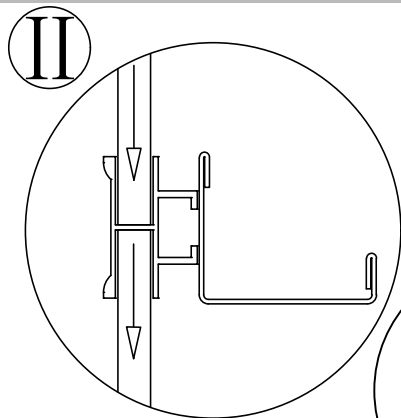
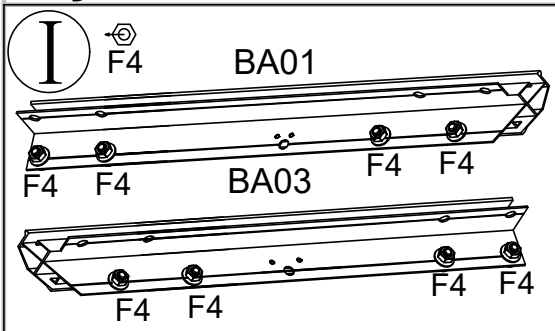
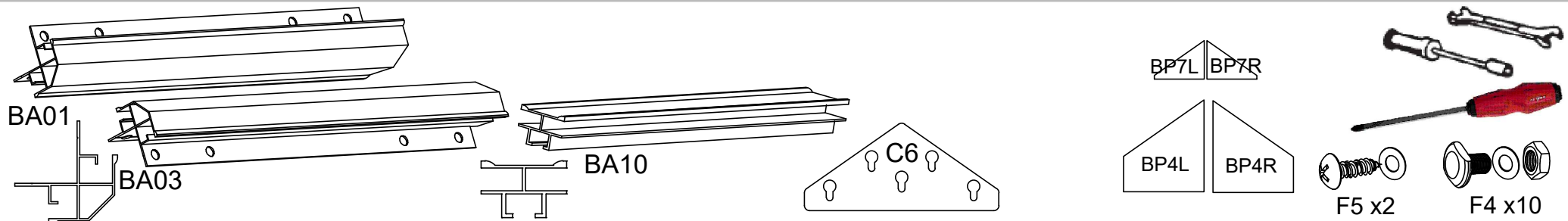
F4 x42





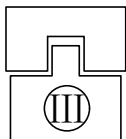
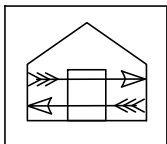
! WD-40
 F5 Easier to install with
 WD-40 lubricant.





 **F4**  **F5**
 All the screws on the back wall are locked.

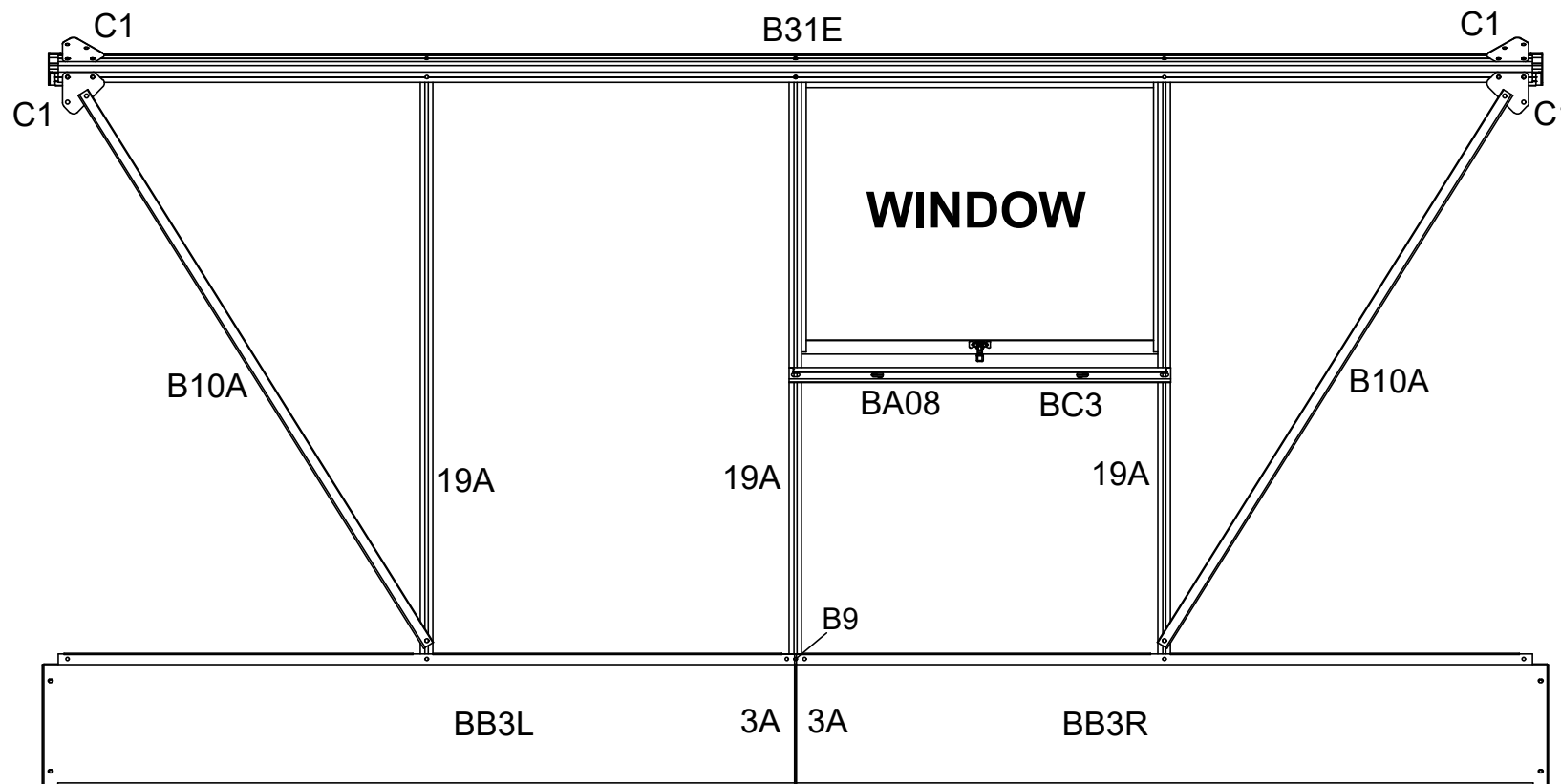
Left and right walls

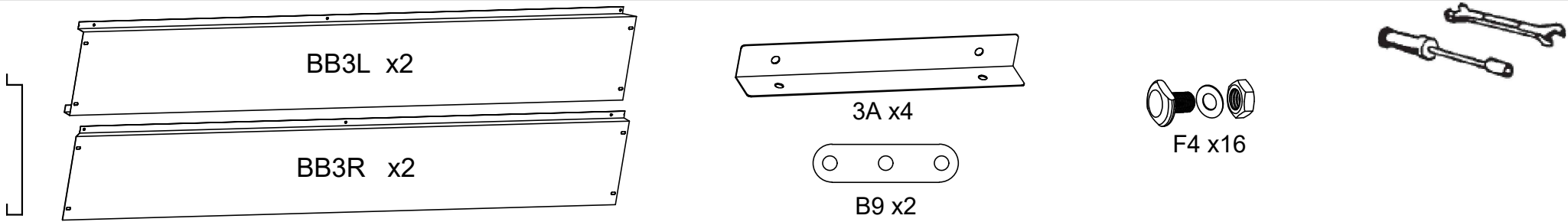


x2

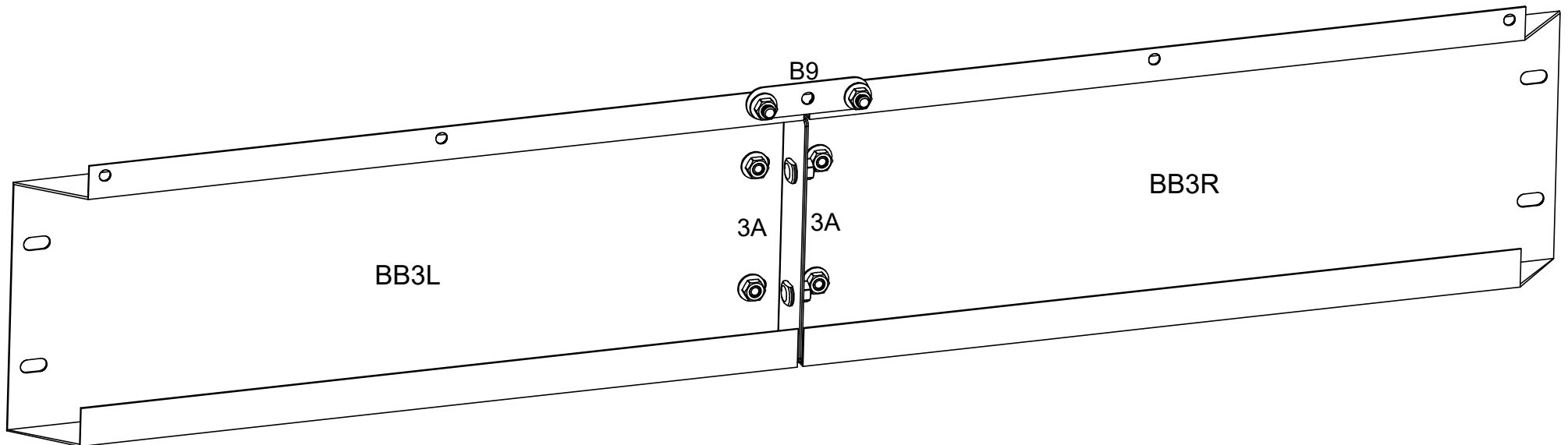
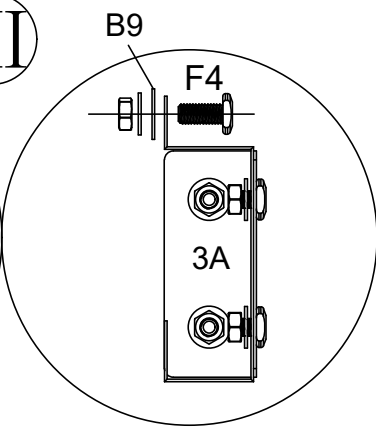
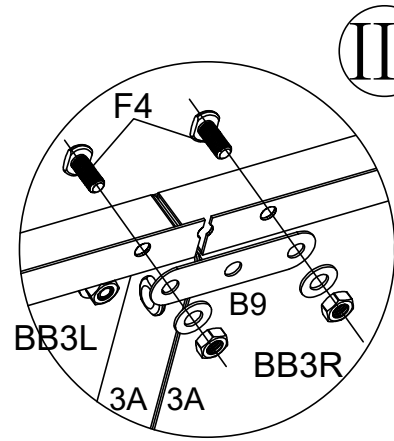
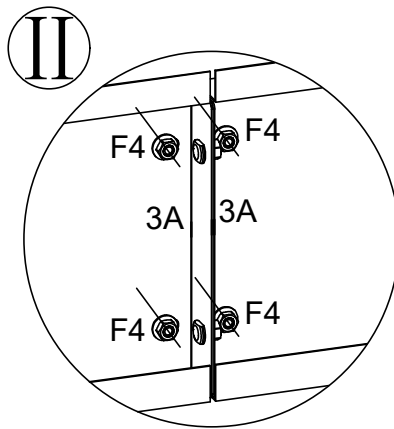
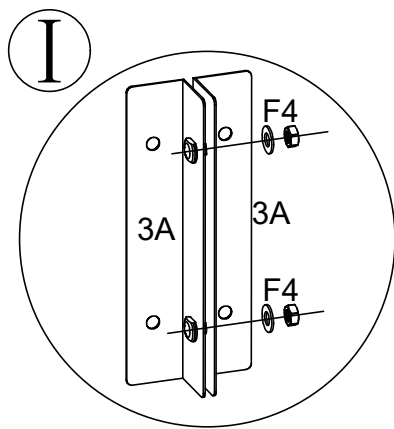


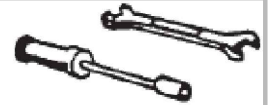
F4 x48



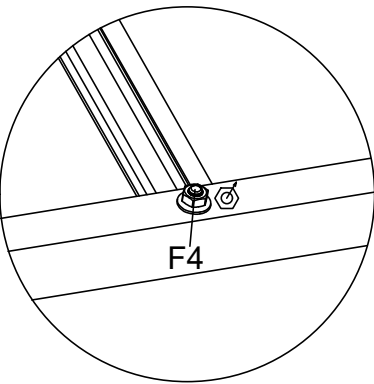
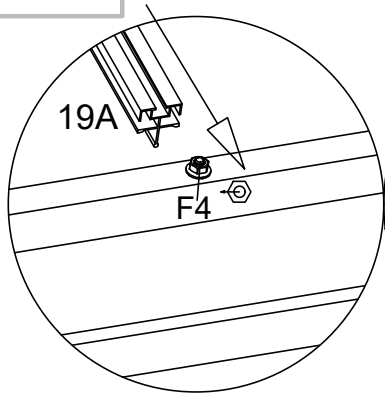


x2

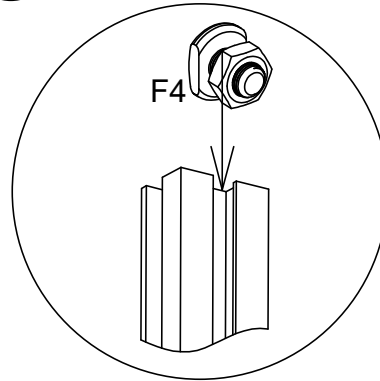




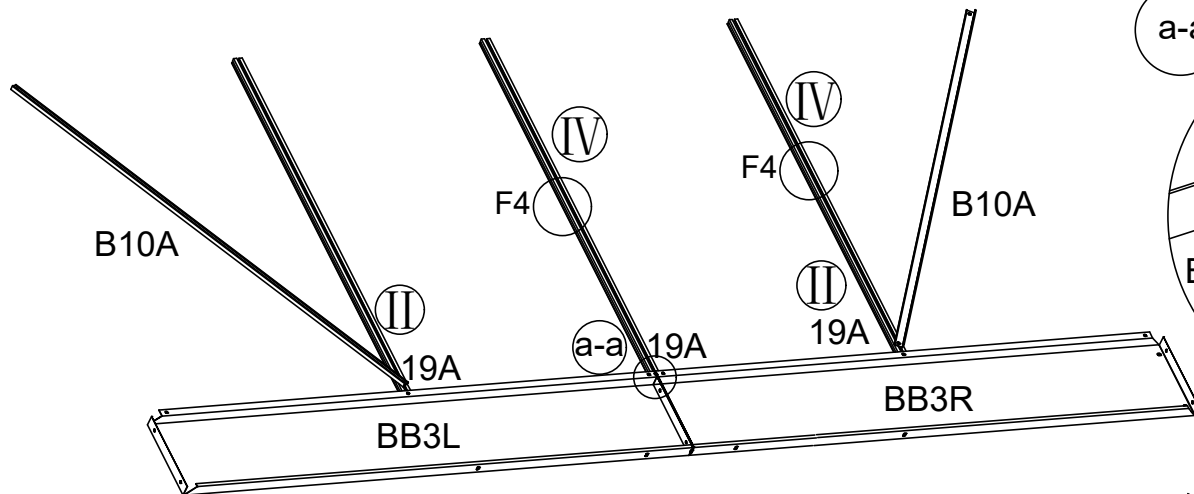
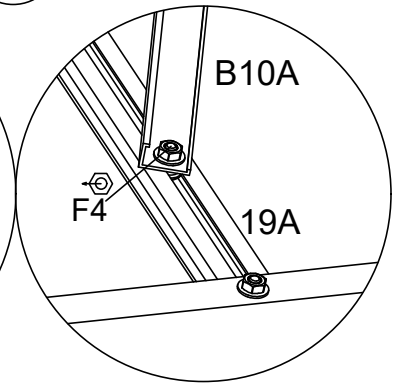
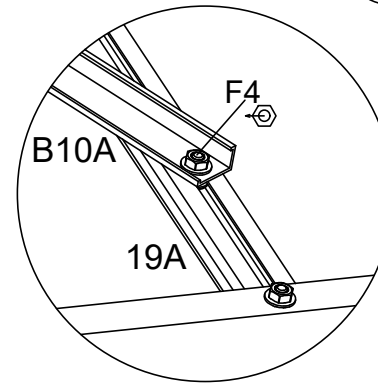
x2 I x3



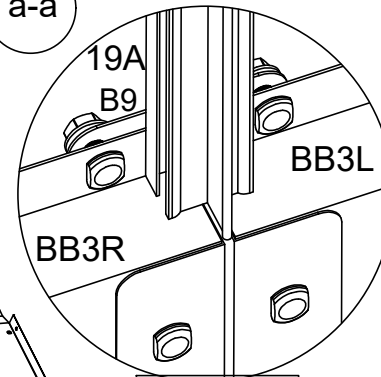
II x2



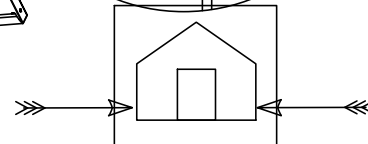
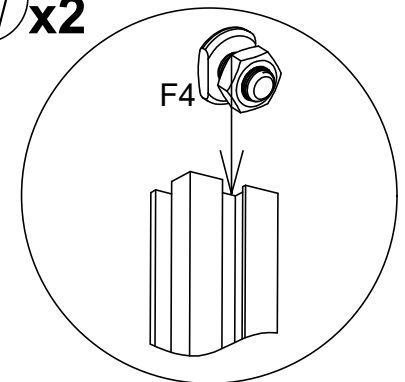
III

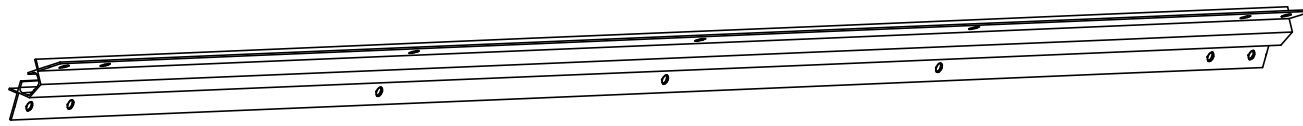


a-a

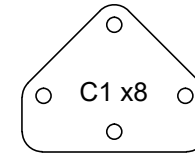
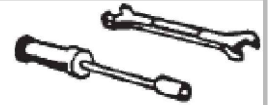
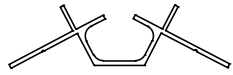


IV x2





B31E x2



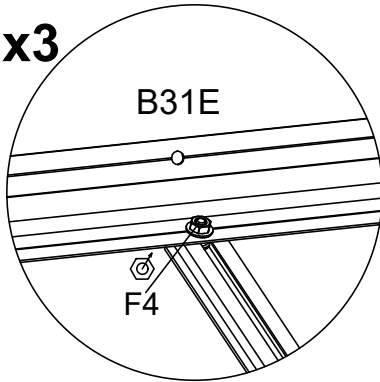
C1 x8



F4 x18

x2

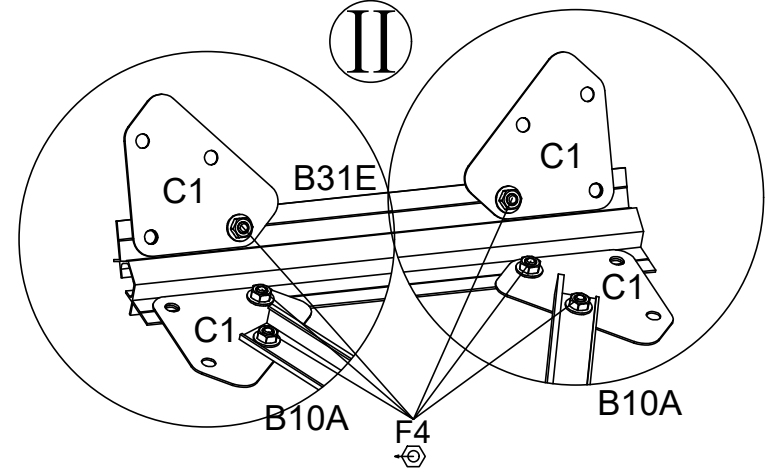
I x3



B31E

F4

II



B31E

C1

C1

B10A

B10A

F4

C1

C1

C1
C1

B31E

F4

F4

B10A

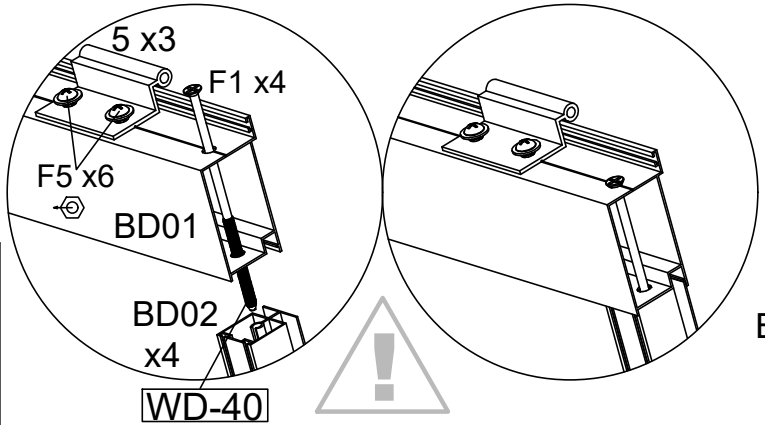
B10A

19A

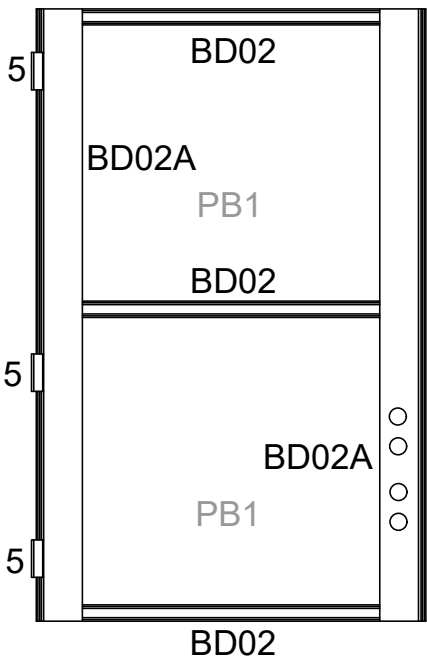
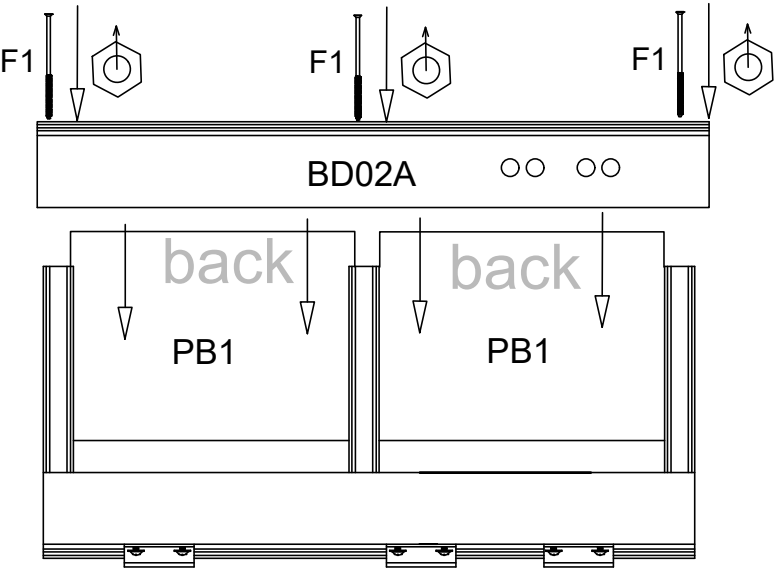
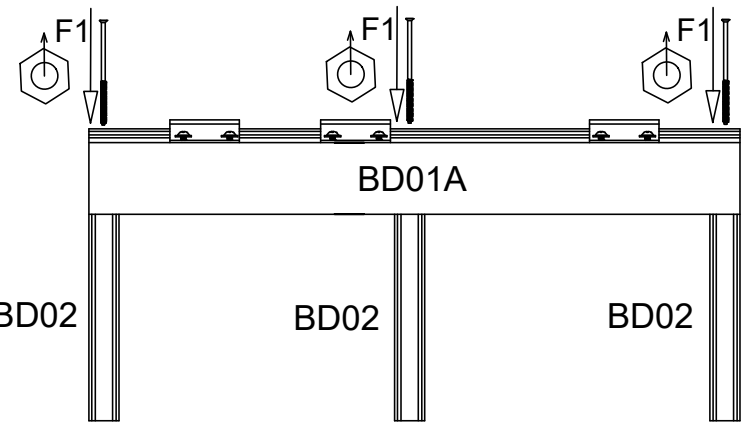
19A

19A

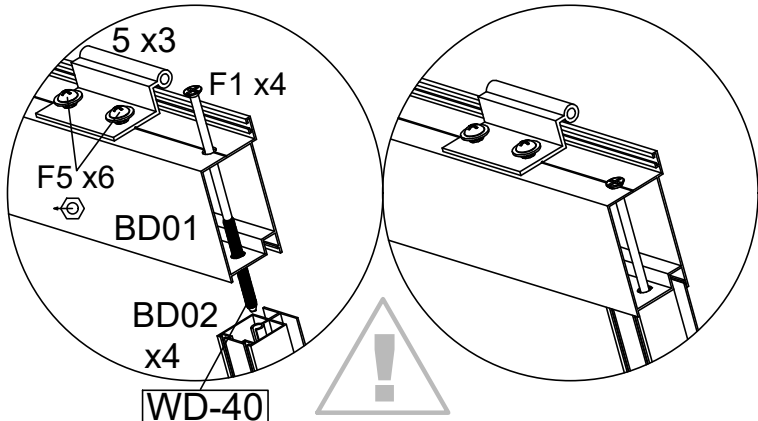
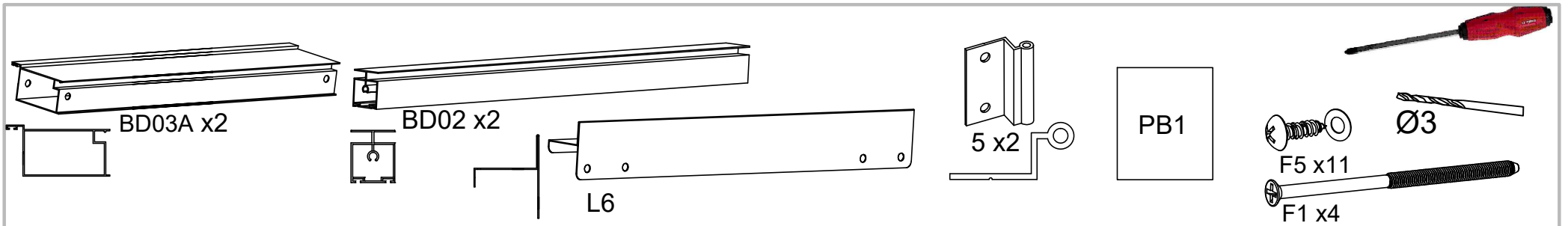
Door



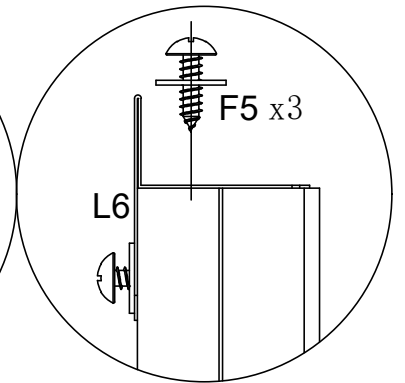
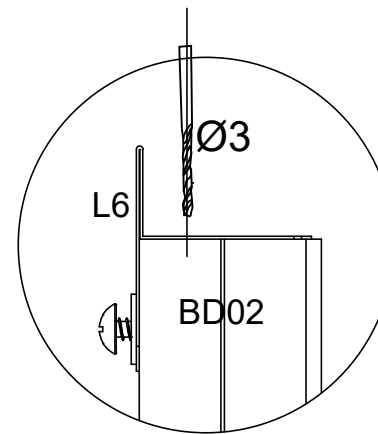
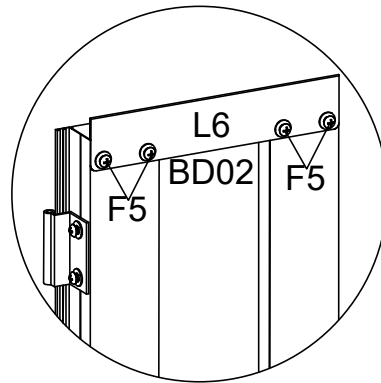
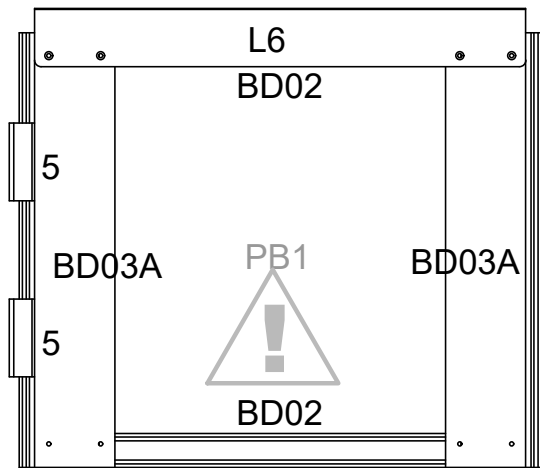
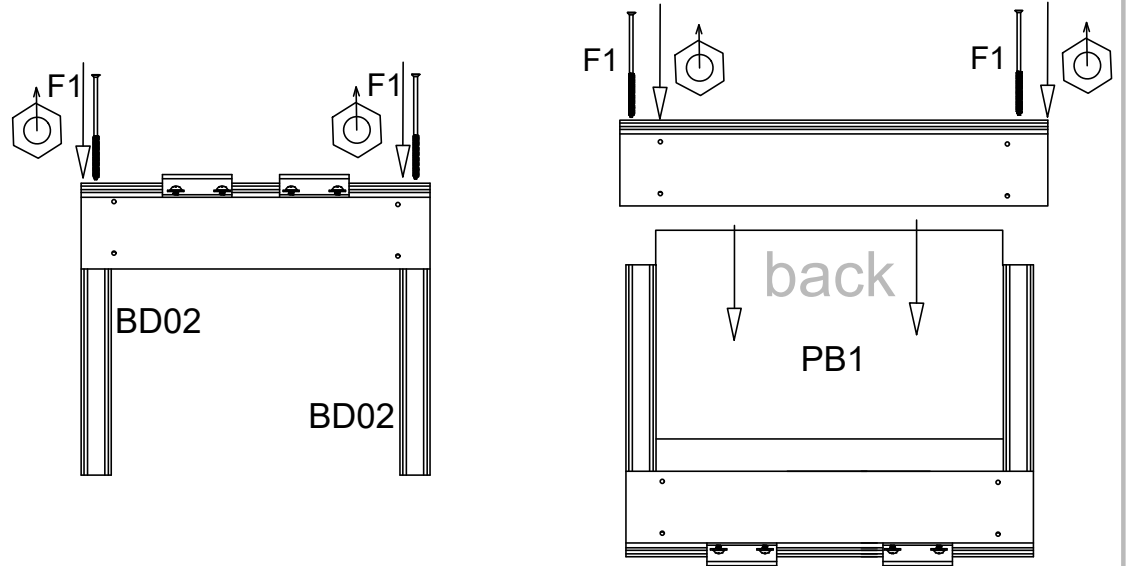
WD-40
F1 Easier to install with WD-40 lubricant.



Note toward the UV surface to the Sun.
Note the direction

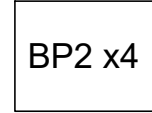
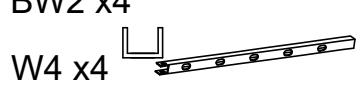
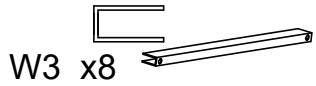
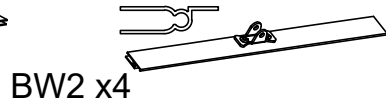


F1 Easier to install with WD-40 lubricant.

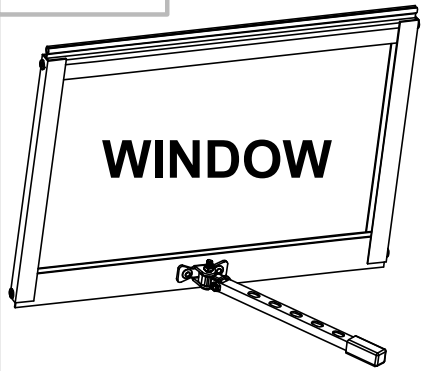


Note toward the UV surface to the Sun.

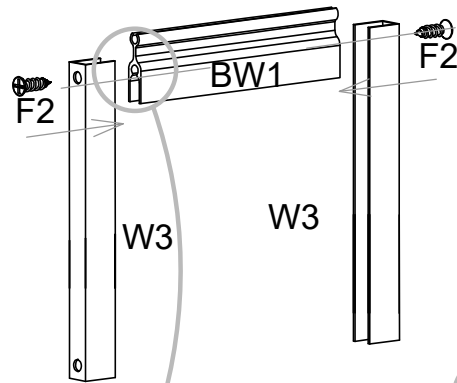
WINDOW



x4



I



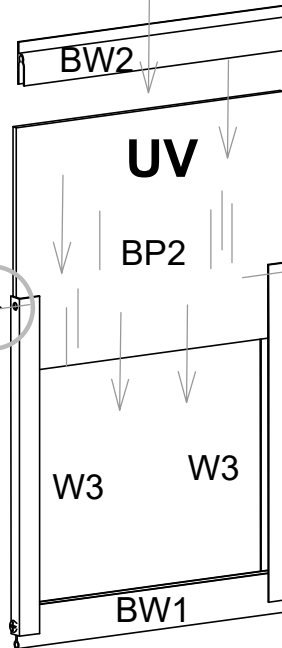
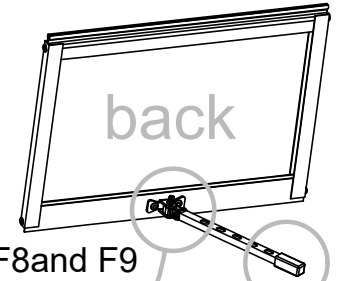
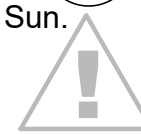
II



Note toward the UV surface to the Sun.

Note the direction of part No.3

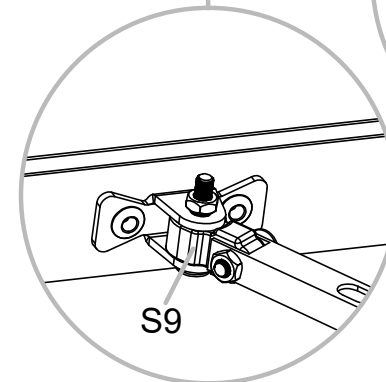
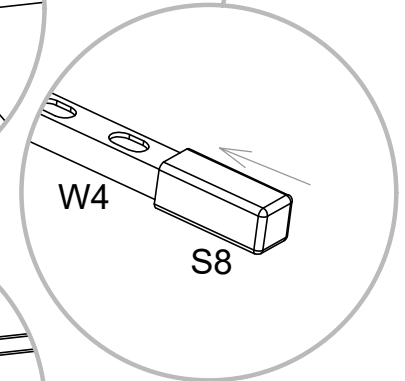
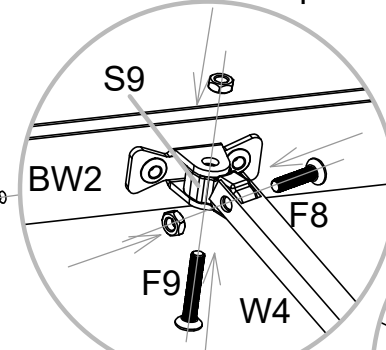
III



Note the direction of parts F8 and F9



F2 will be easy to install by using lubricants

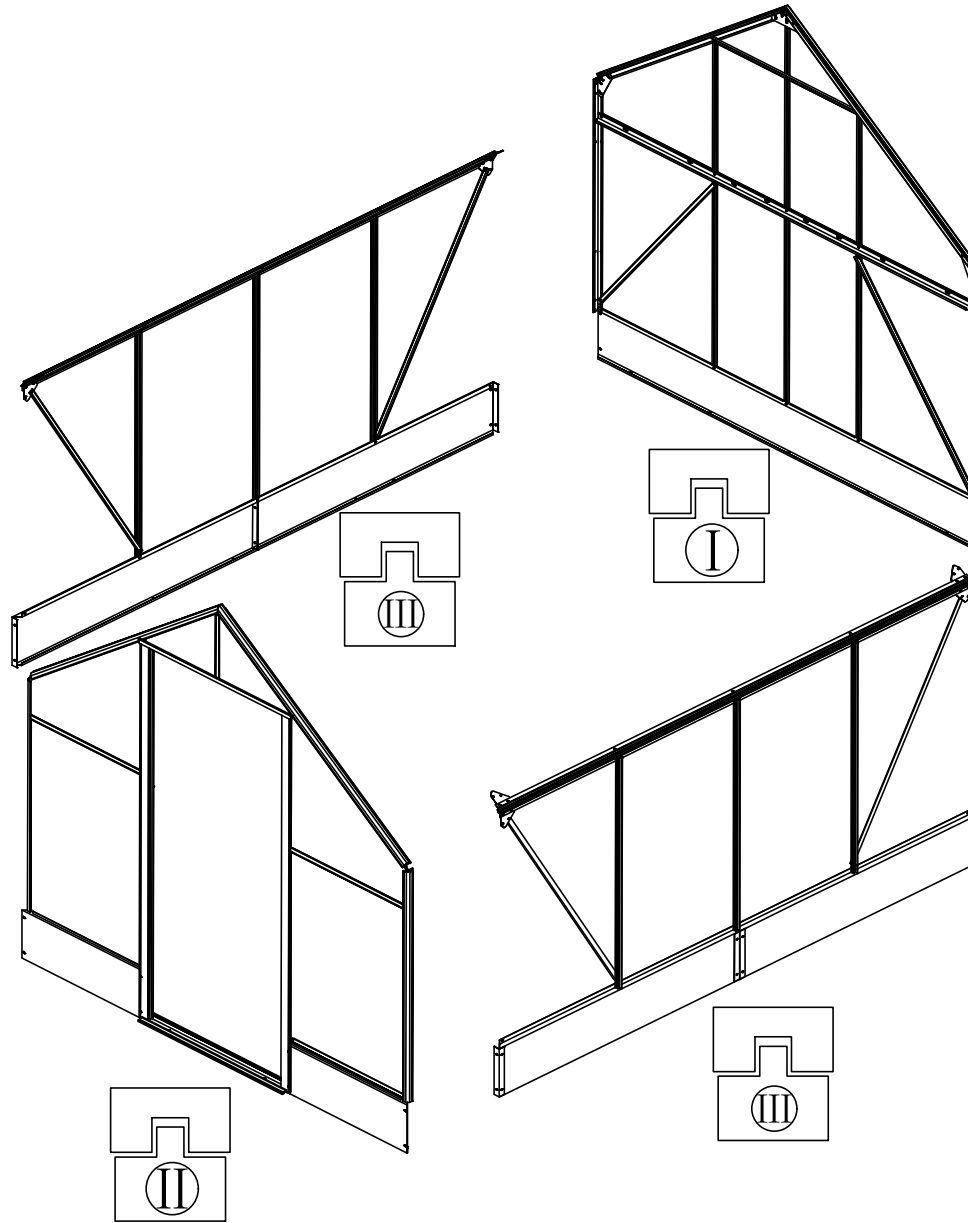




Assembled above the foundation



F4 x36





3A x2

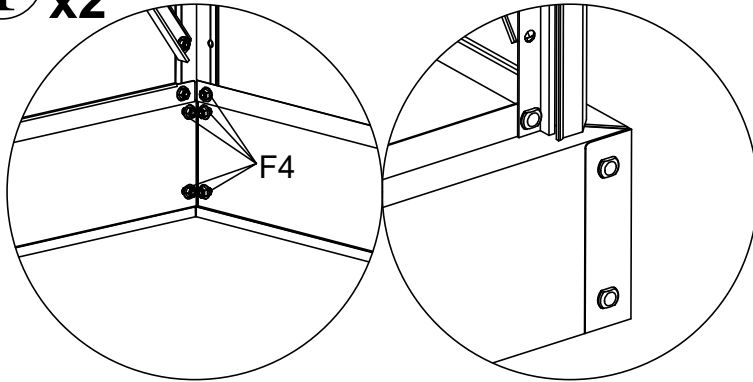


F4 x18

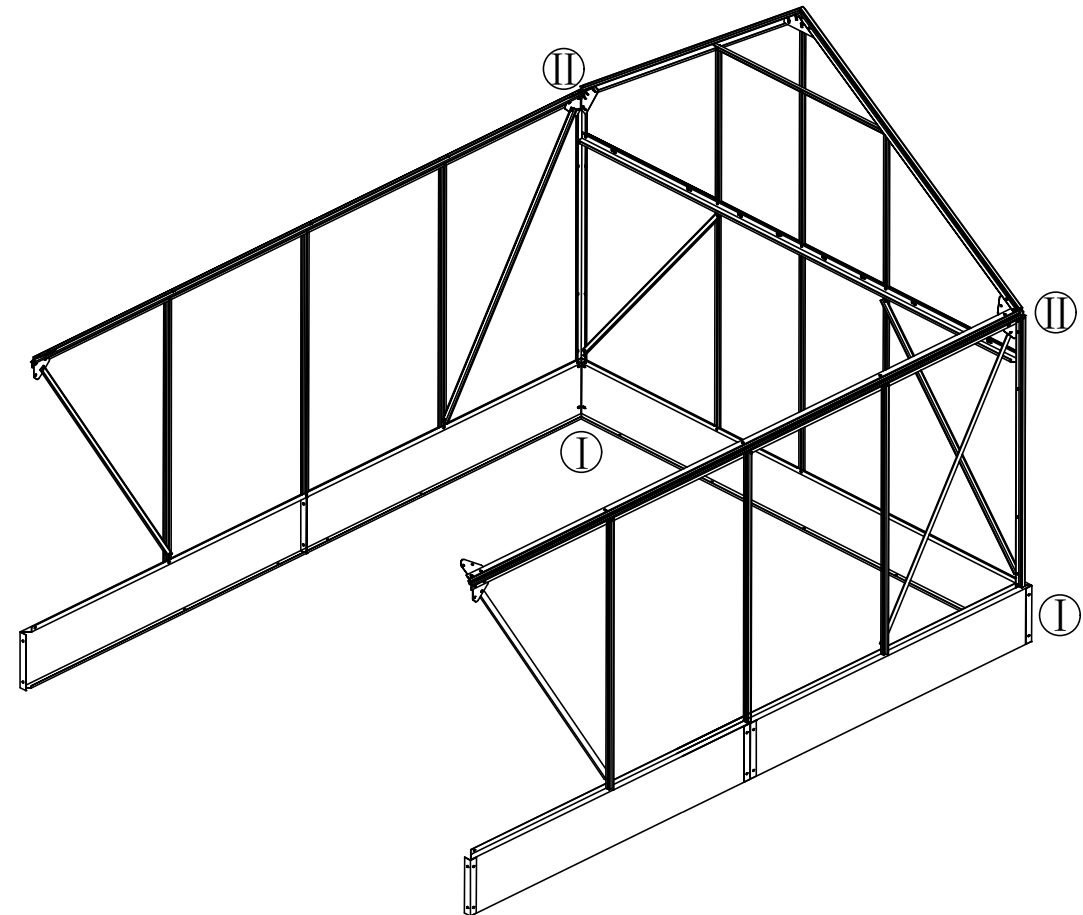
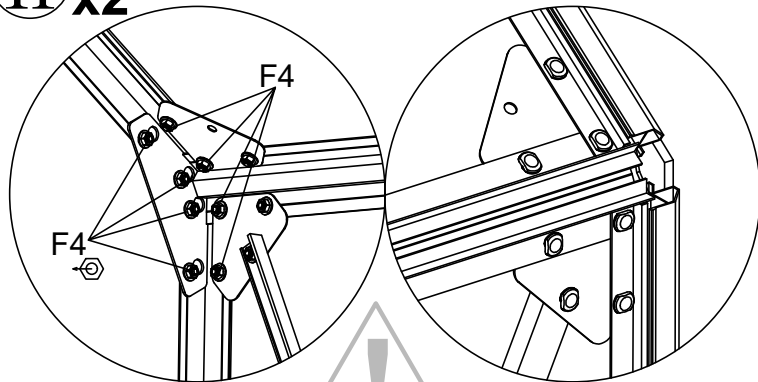


The back wall is fixed with a ladder to avoid being blown down by the wind.

I x2



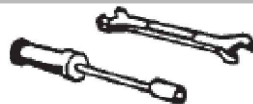
II x2



It is recommended to loosen the screw and adjust the fit clearance.



3 x2

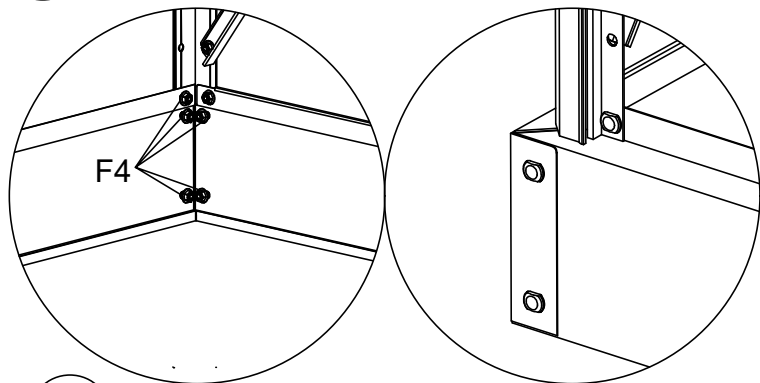


F4 x18

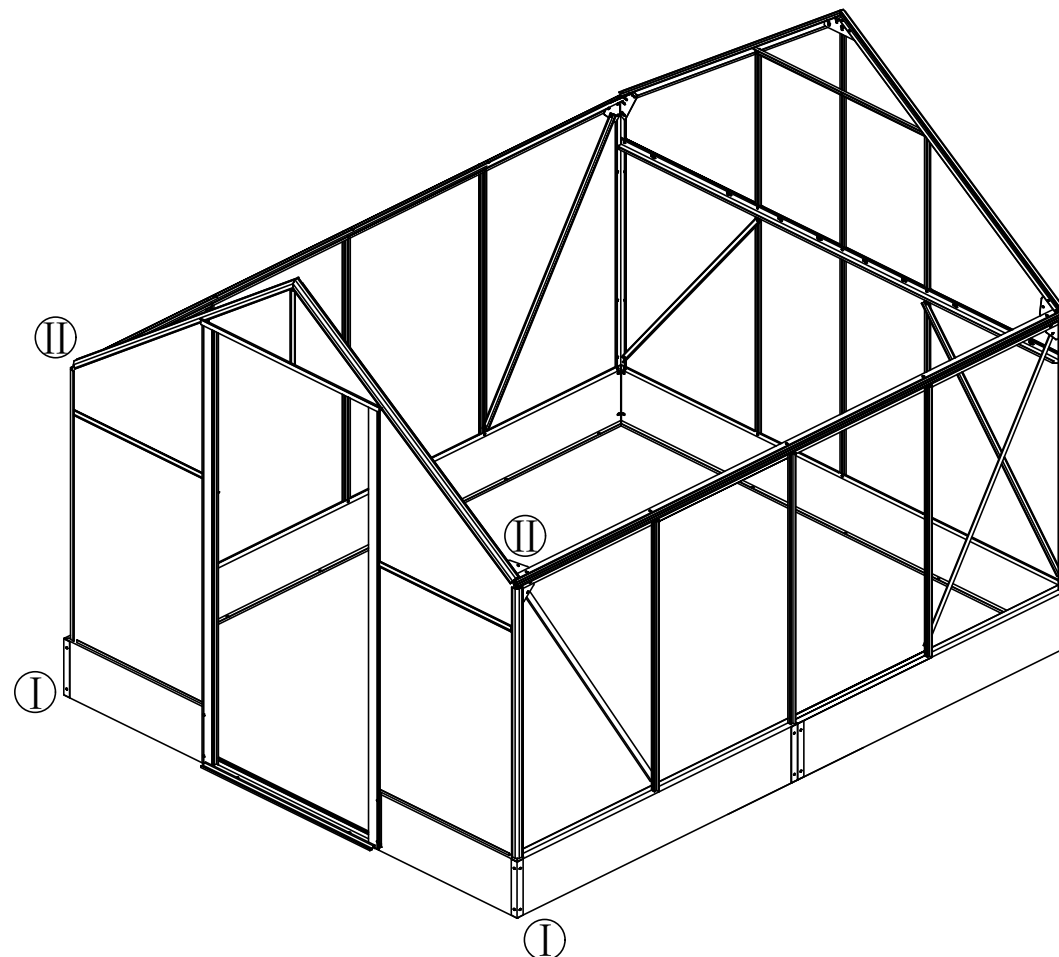
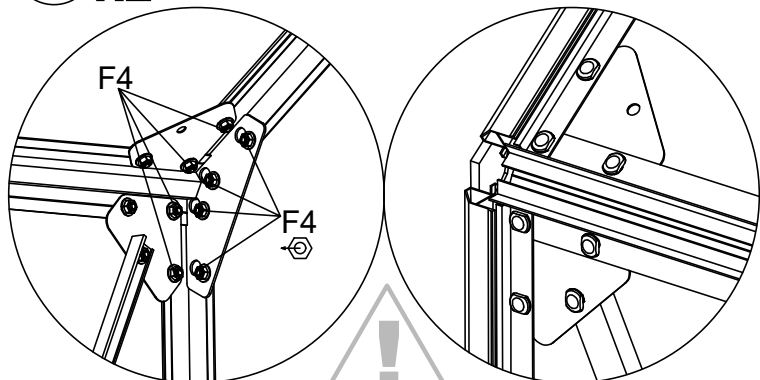


The front wall is fixed with a ladder to avoid being blown down by the wind.

I x2

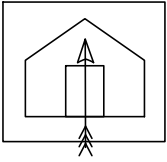


II x2

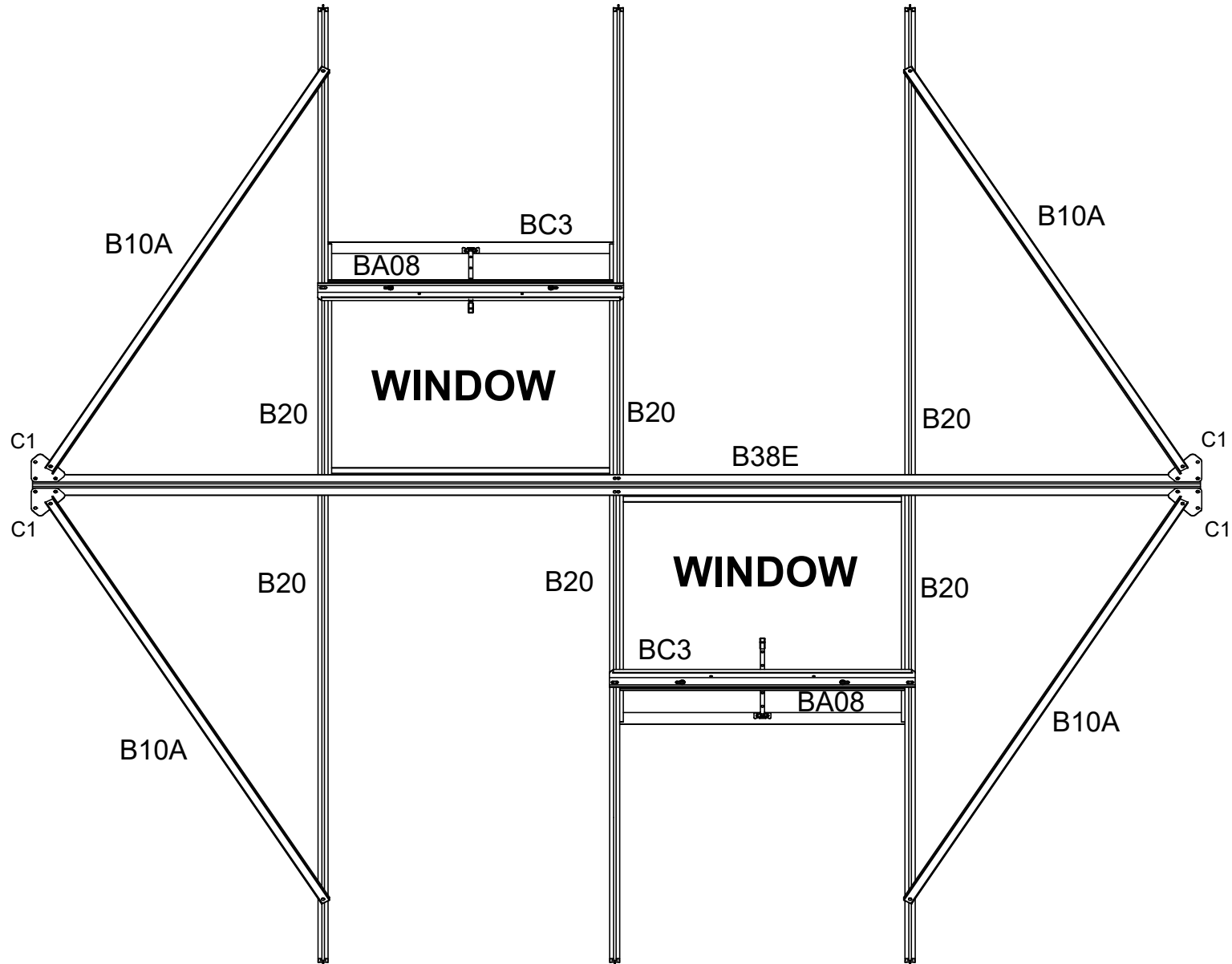


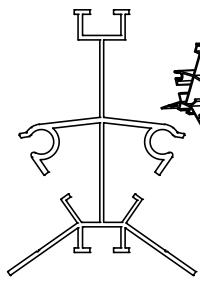
It is recommended to loosen the screw and adjust the fit clearance.

Top

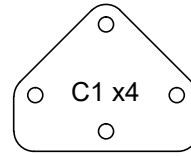
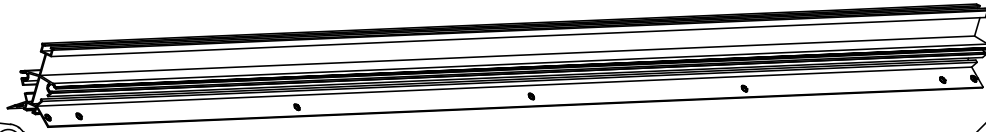


F4 x42

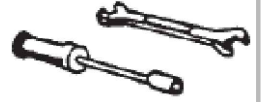




B38E

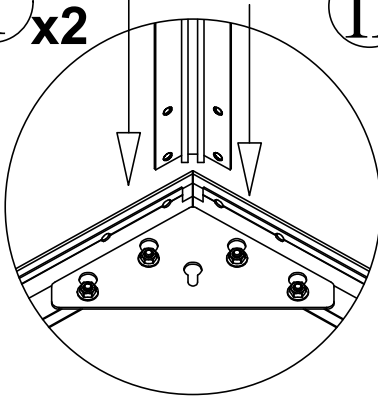


C1 x4

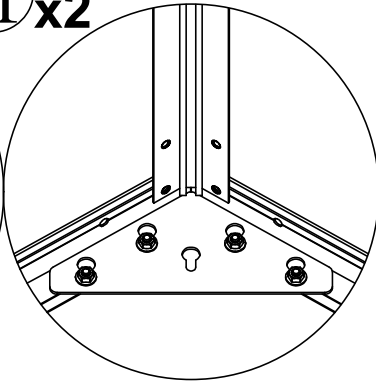


F4 x16

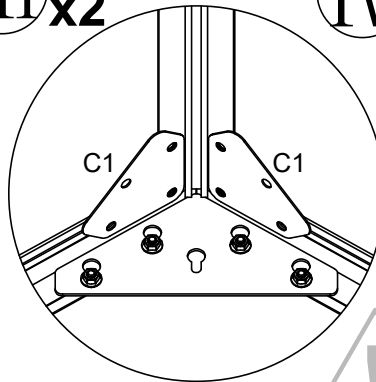
I x2



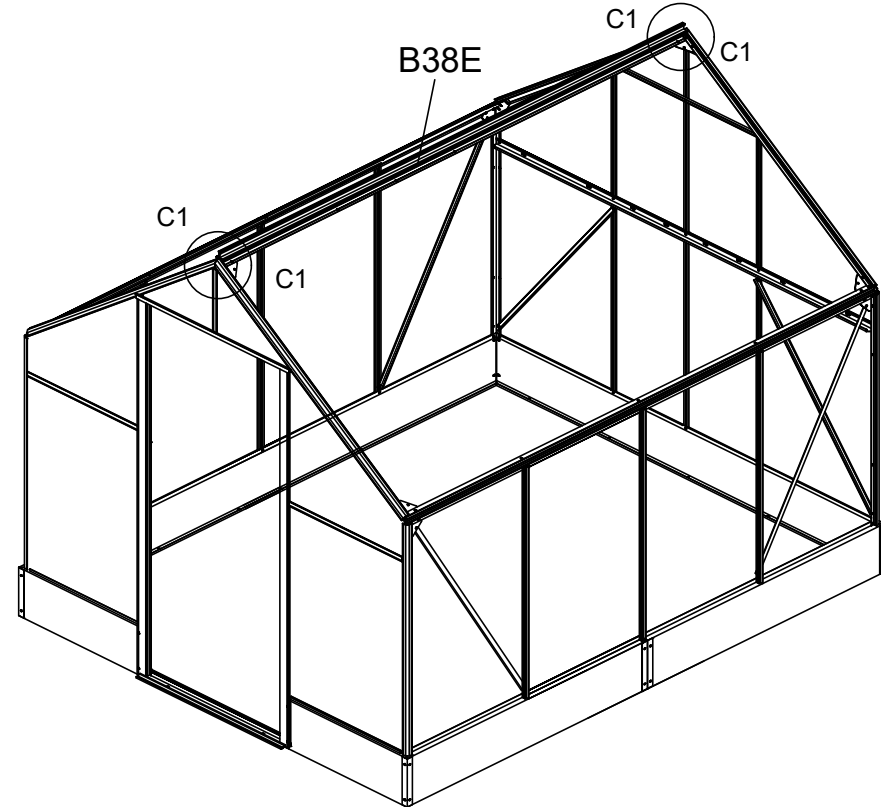
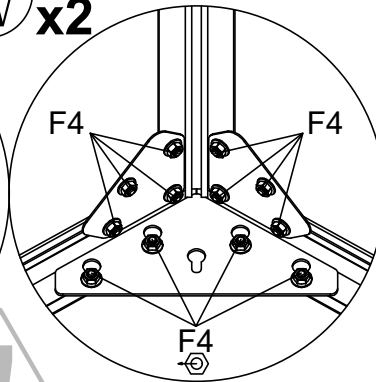
II x2



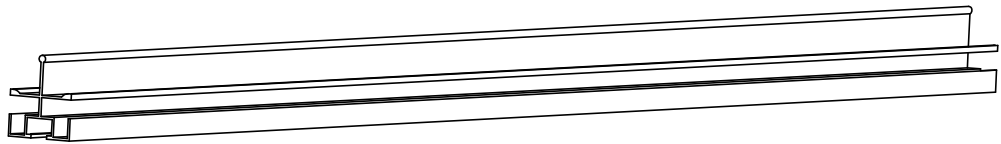
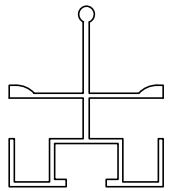
III x2



IV x2



It is recommended to loosen the screw and adjust the fit clearance.

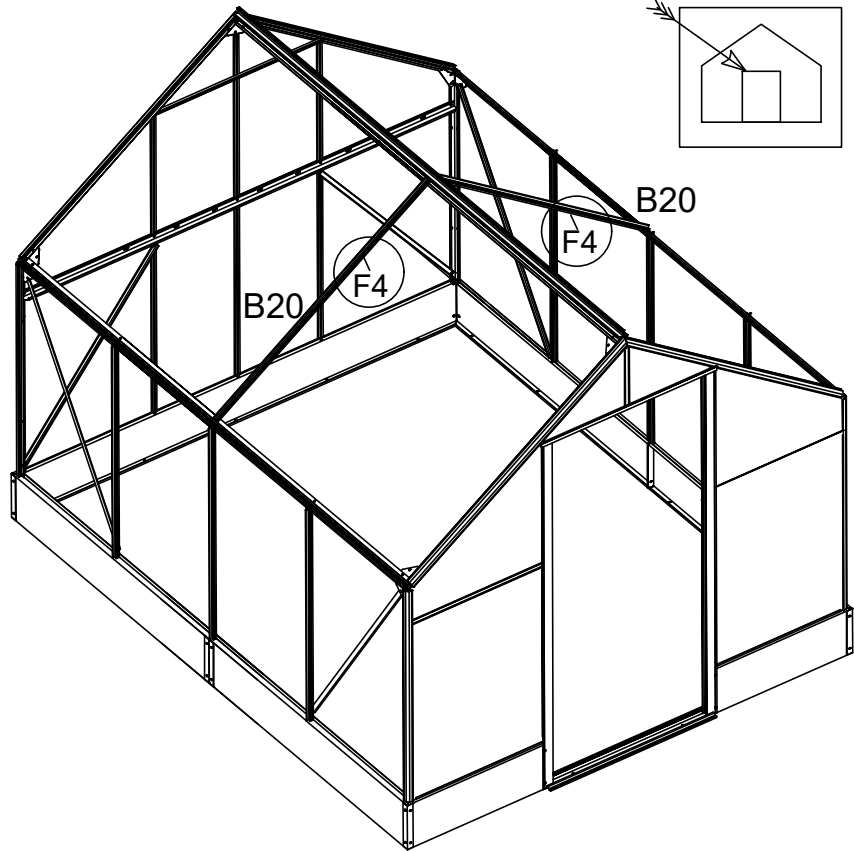
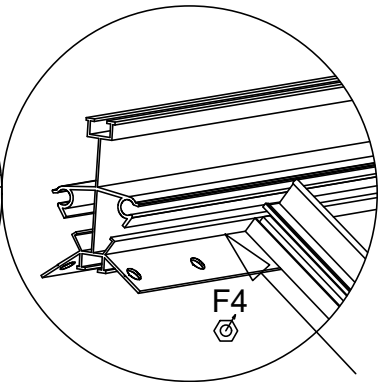
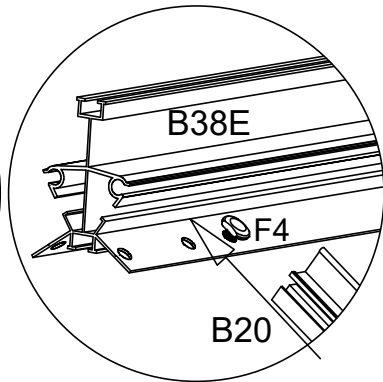
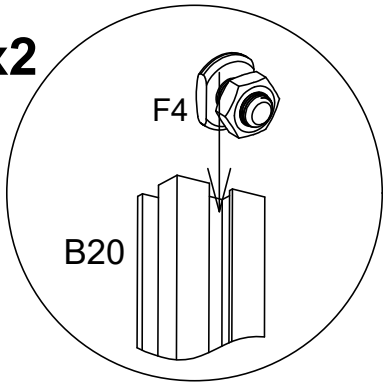
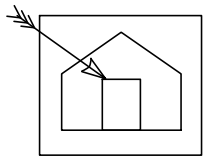


B20 x2

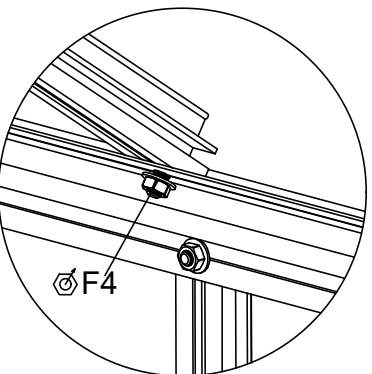
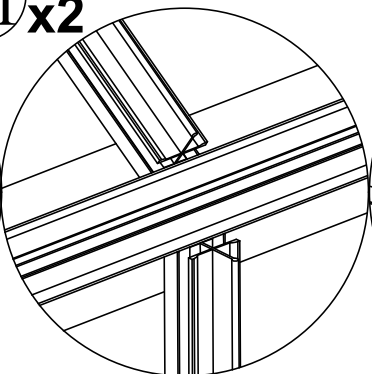
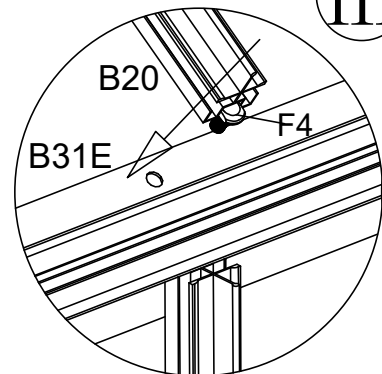


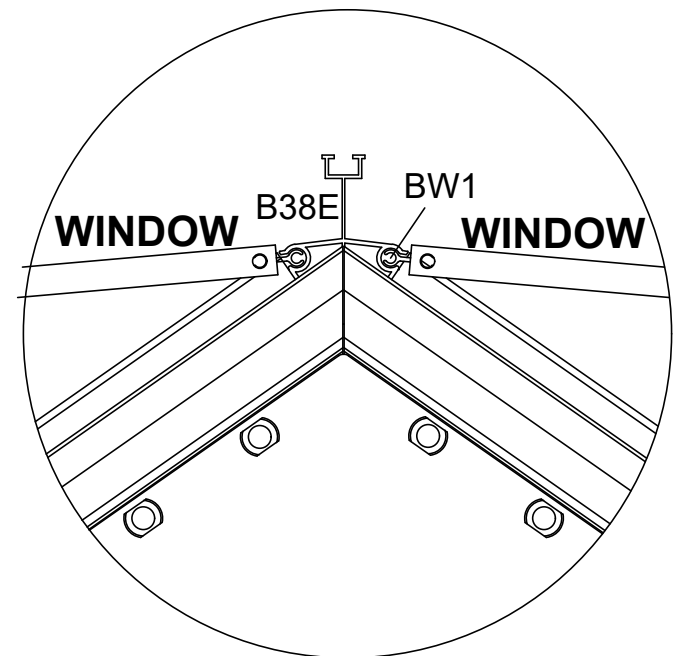
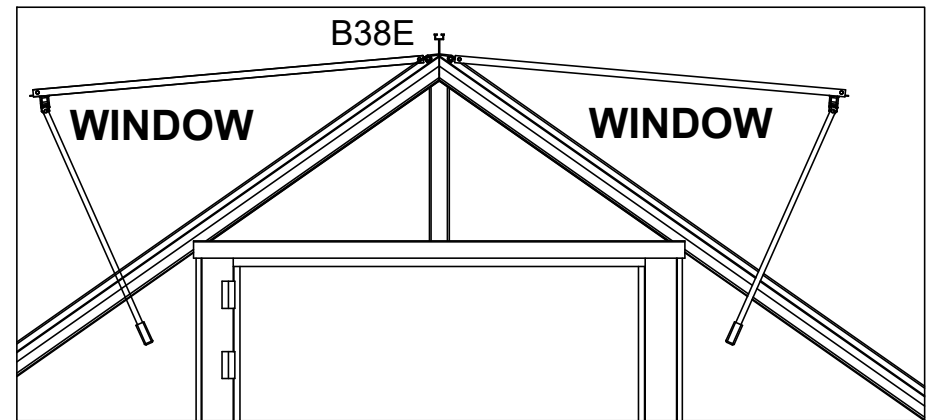
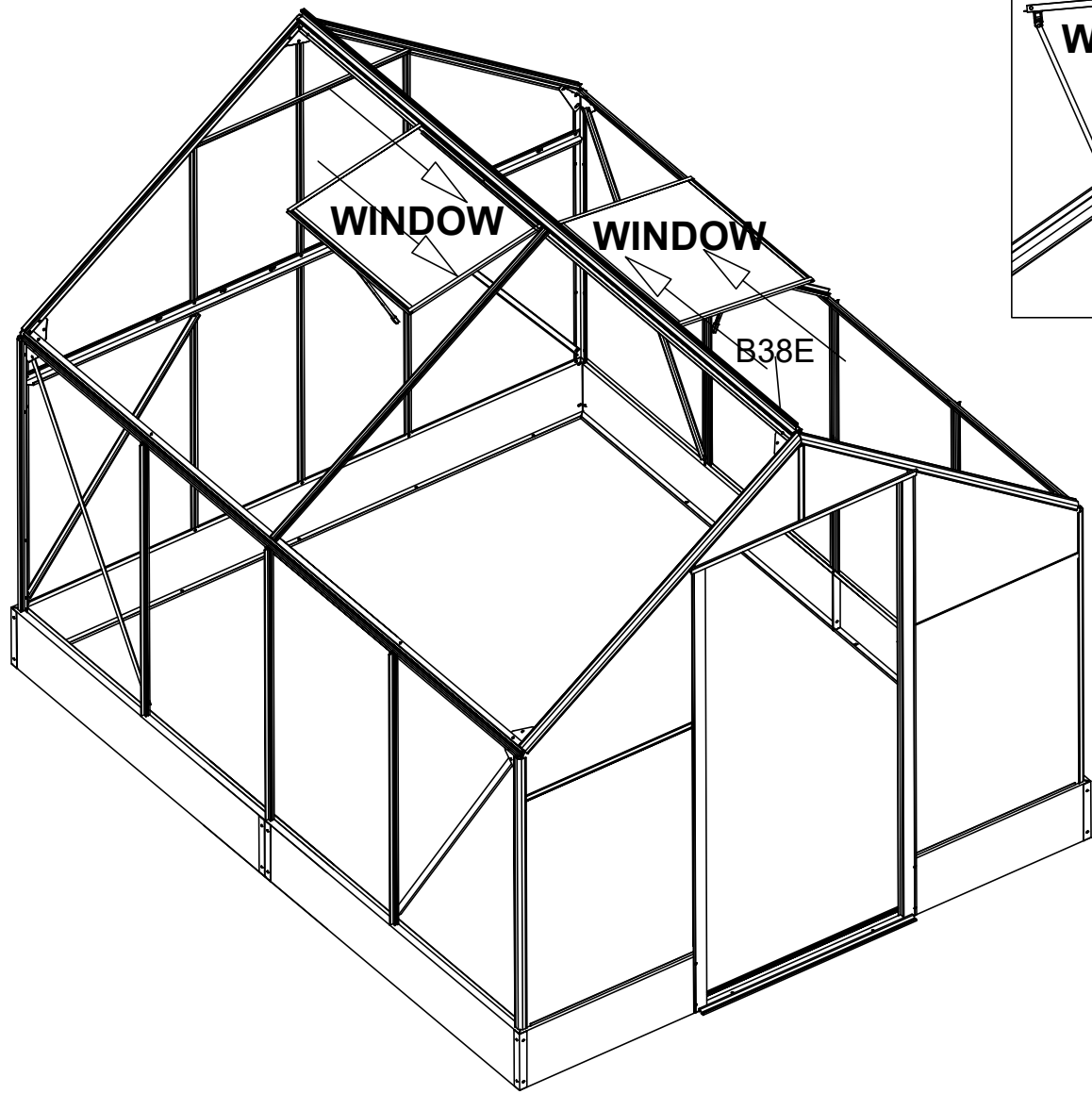
F4 x6

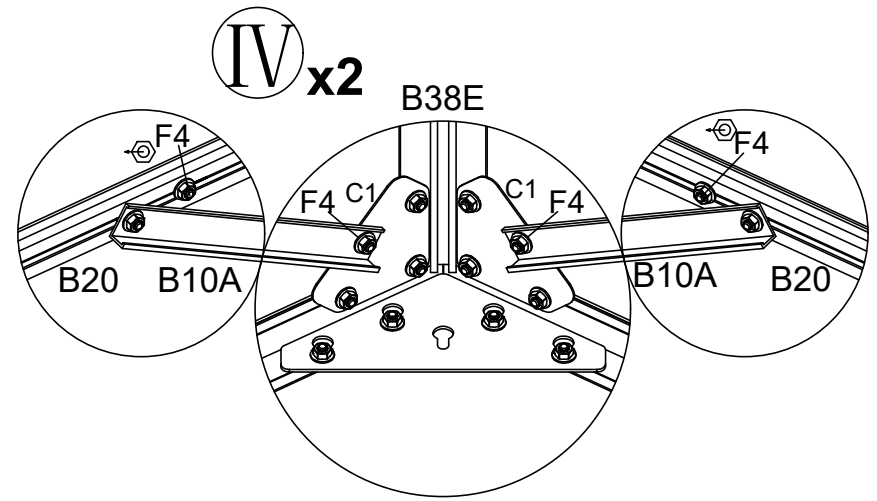
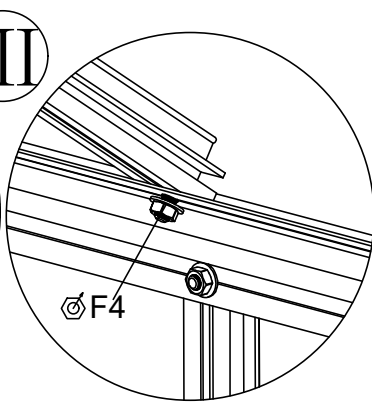
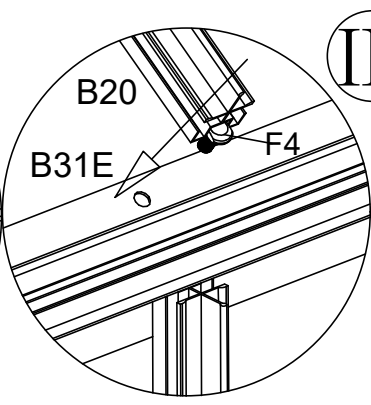
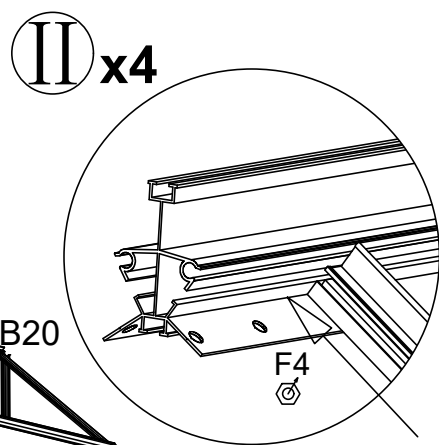
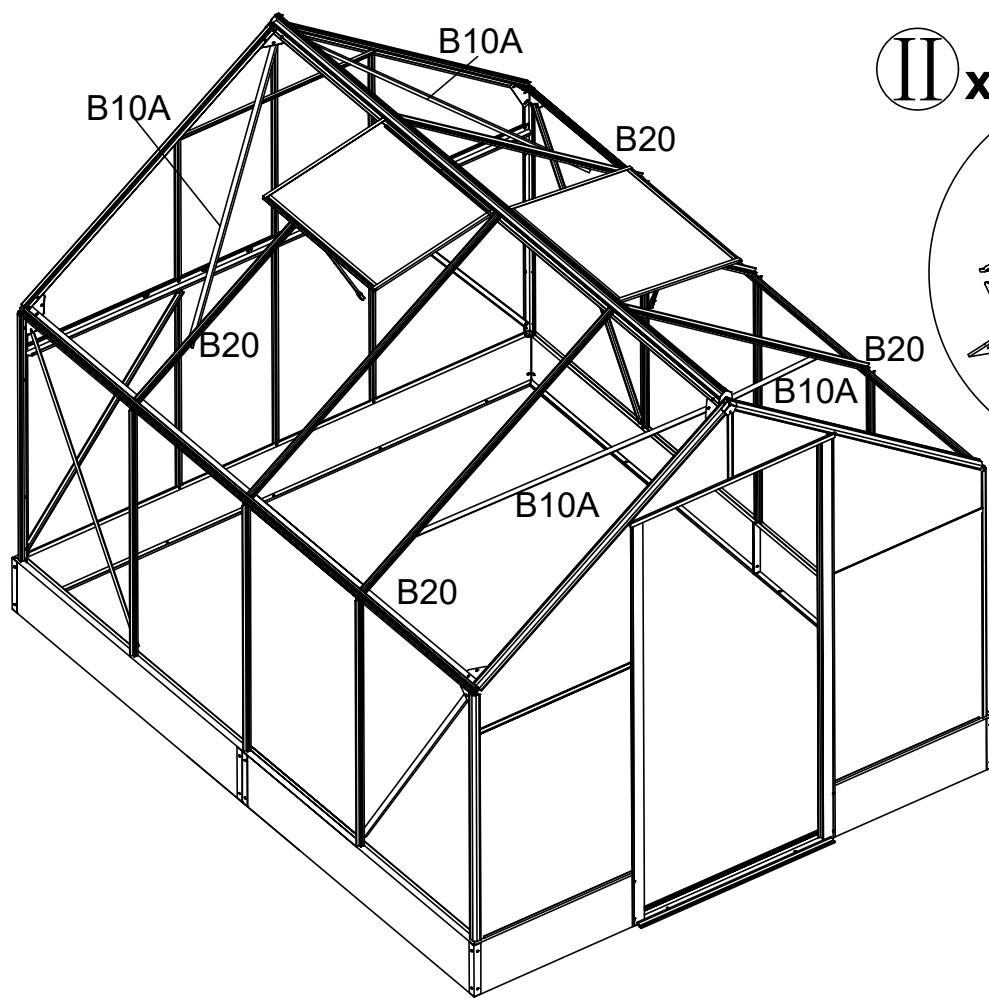
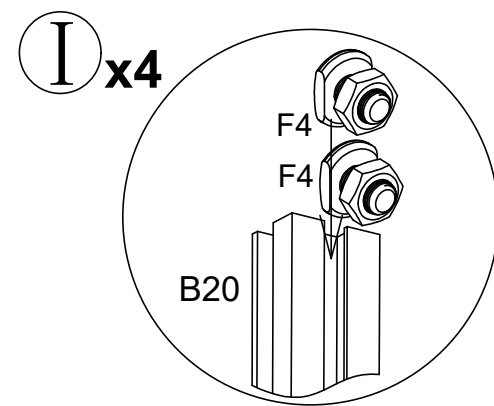
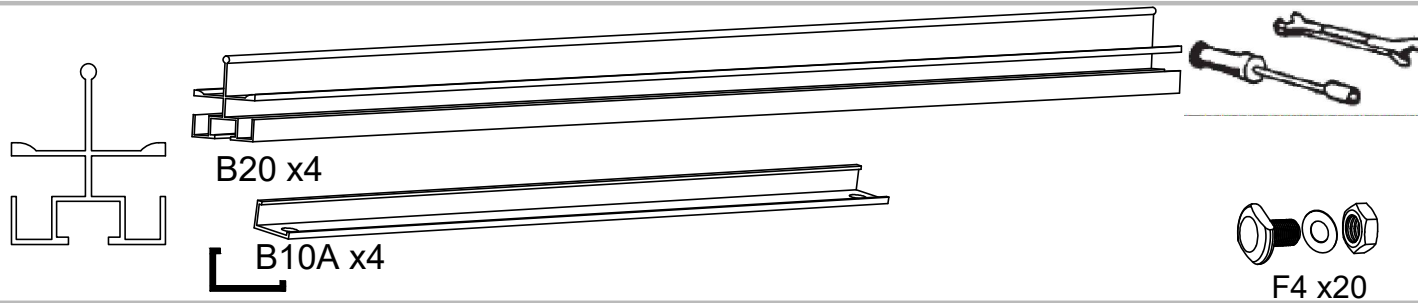
I x2



III x2

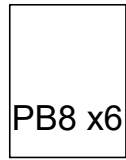
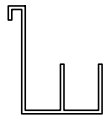








BA15 x8

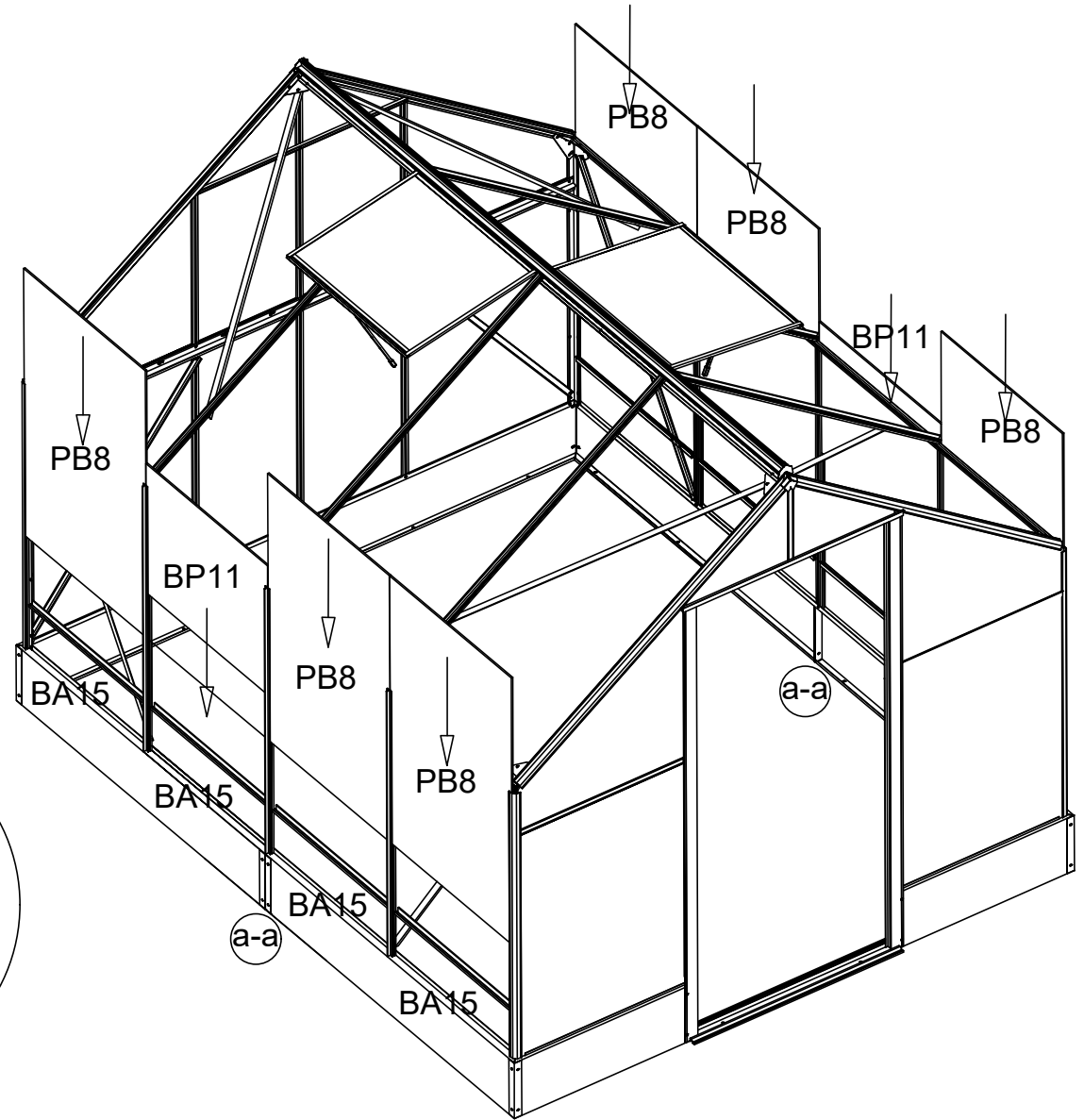
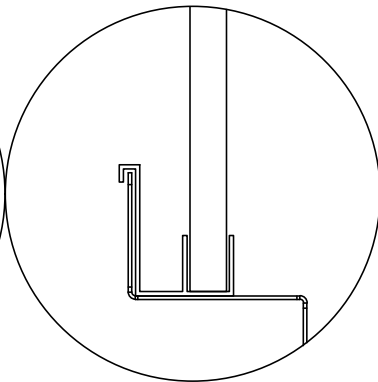
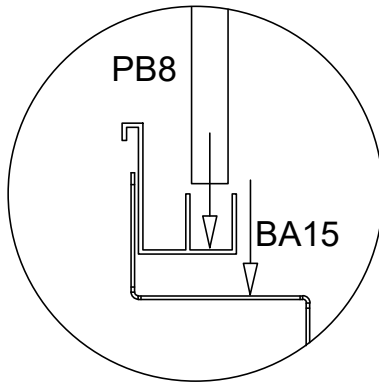
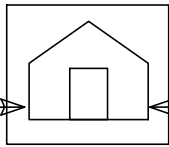
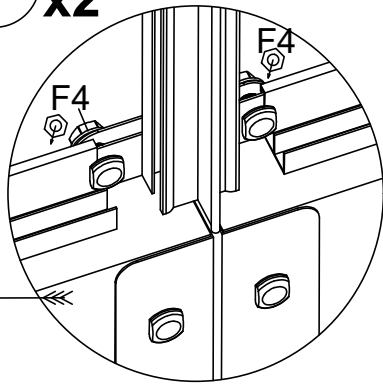


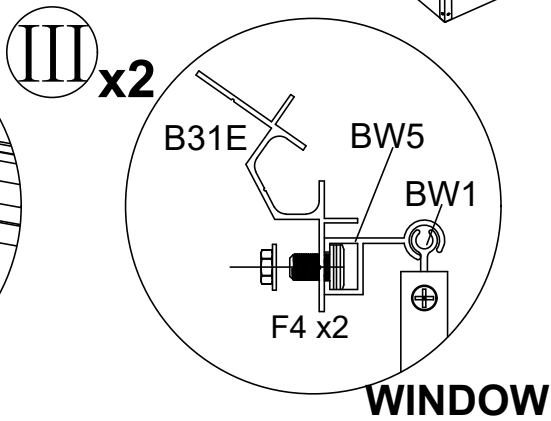
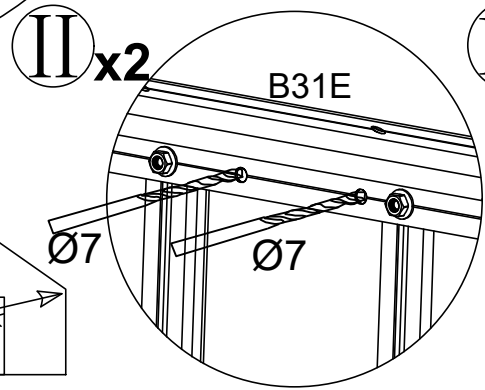
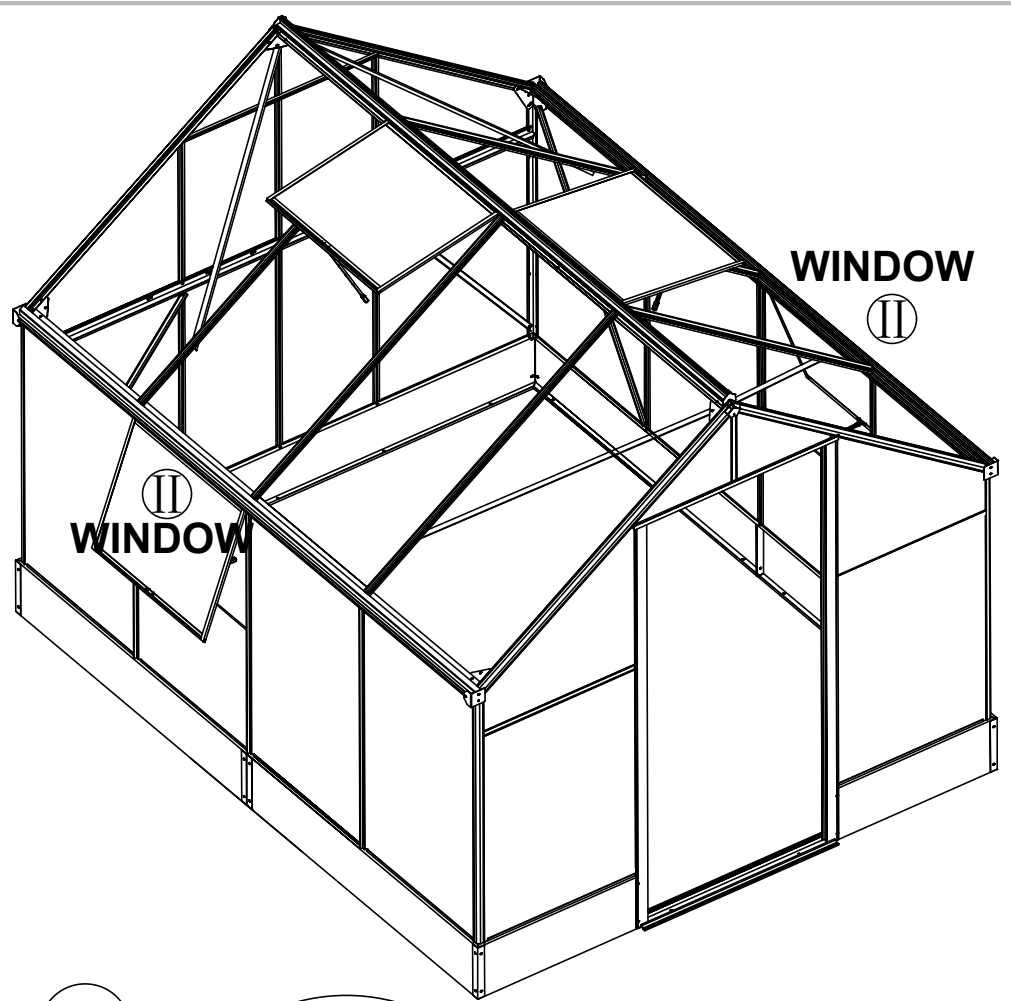
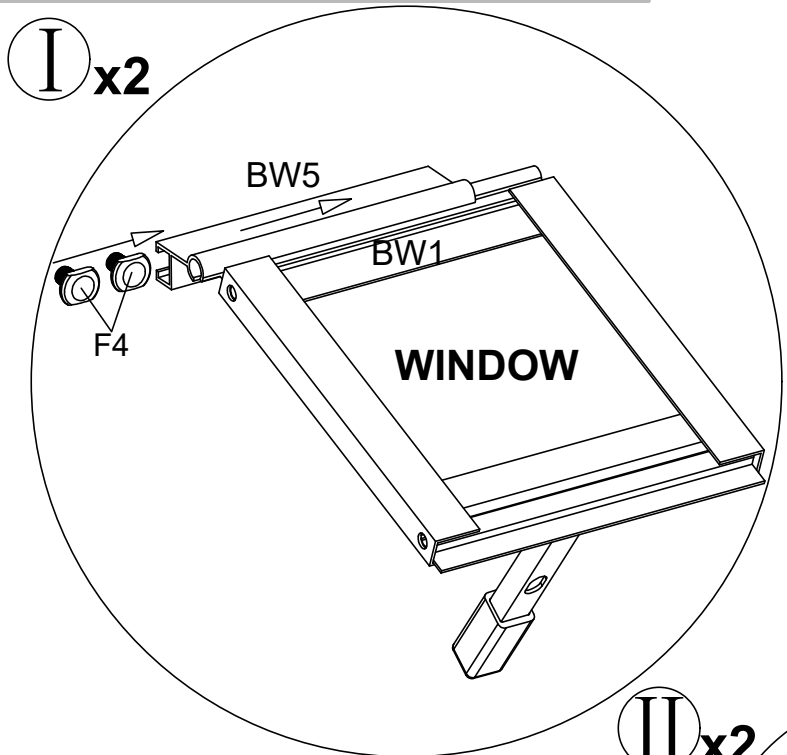
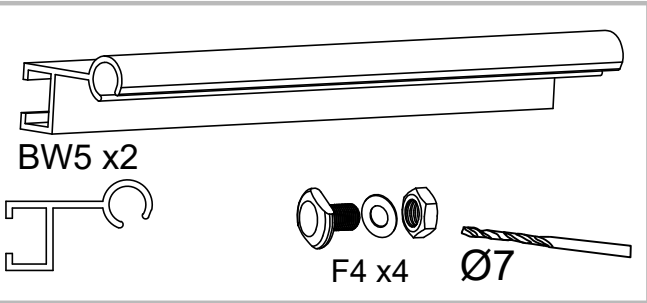
PB8 x6

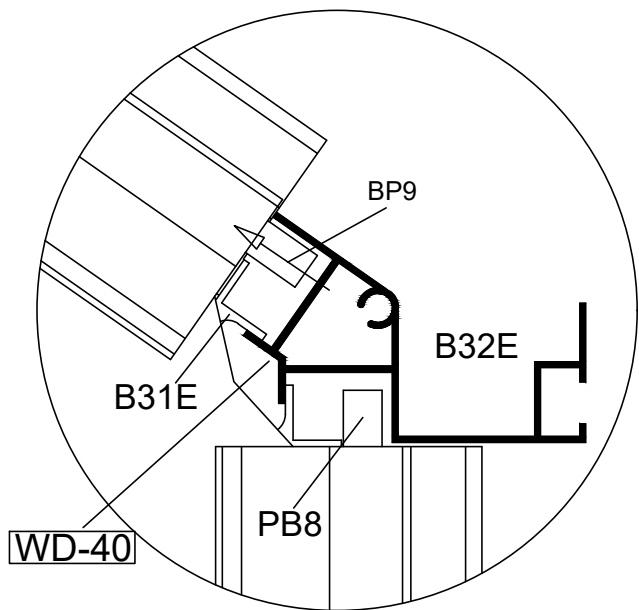
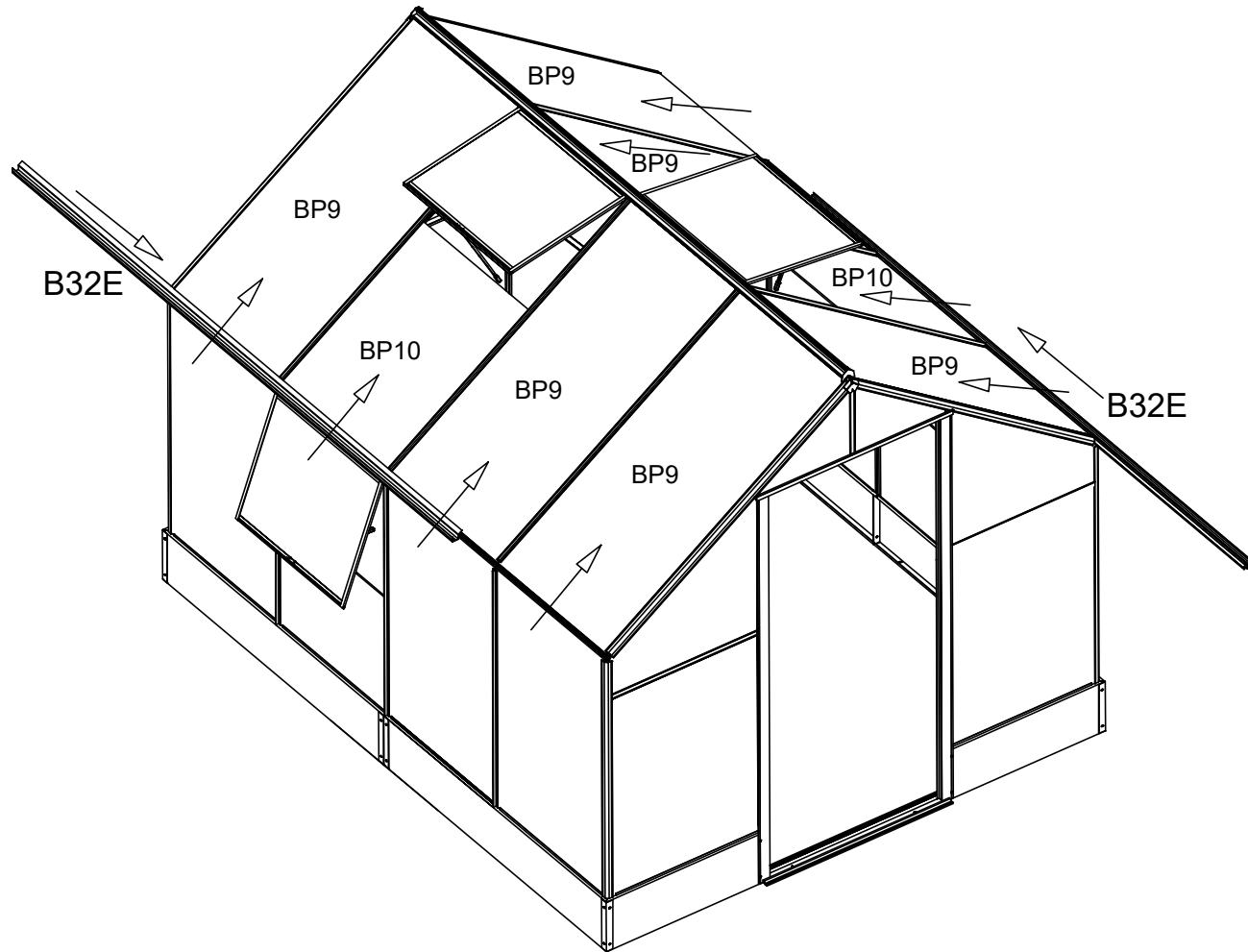
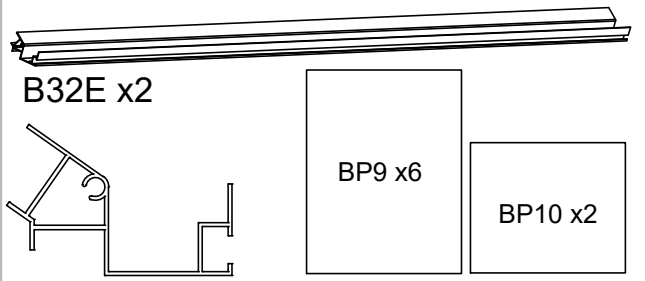
BP11 x2

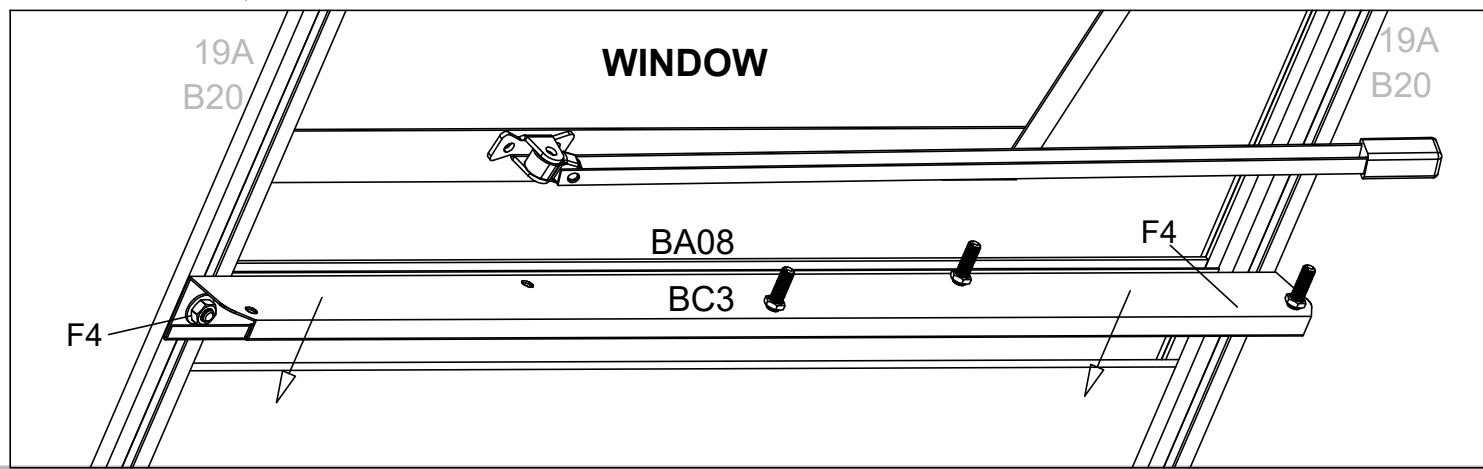
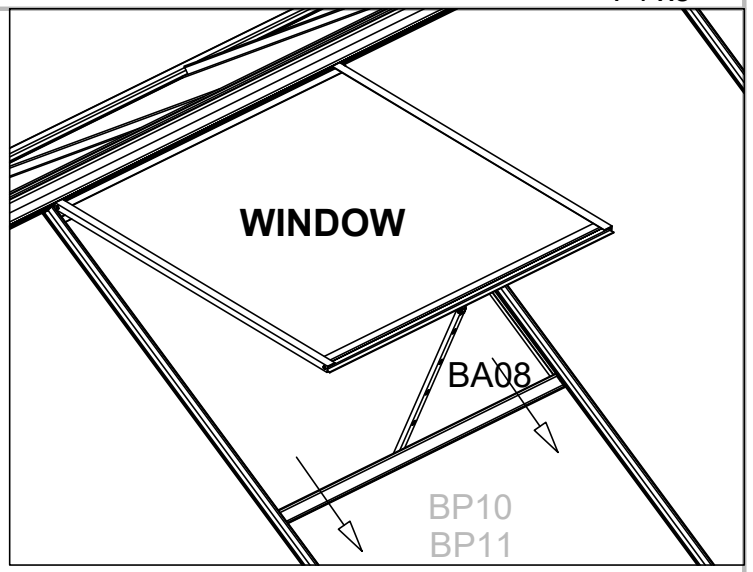
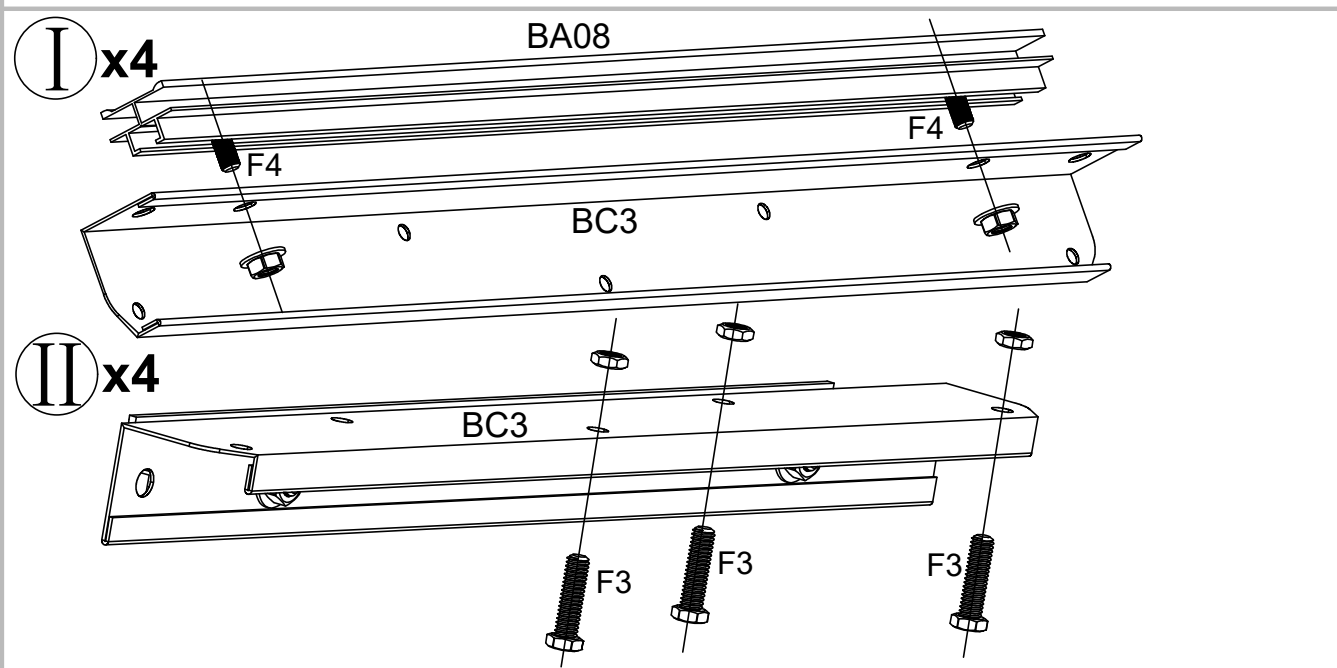
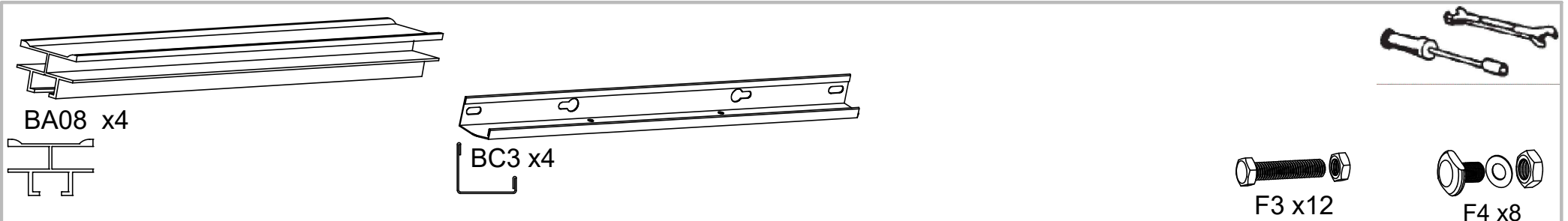


a-a x2

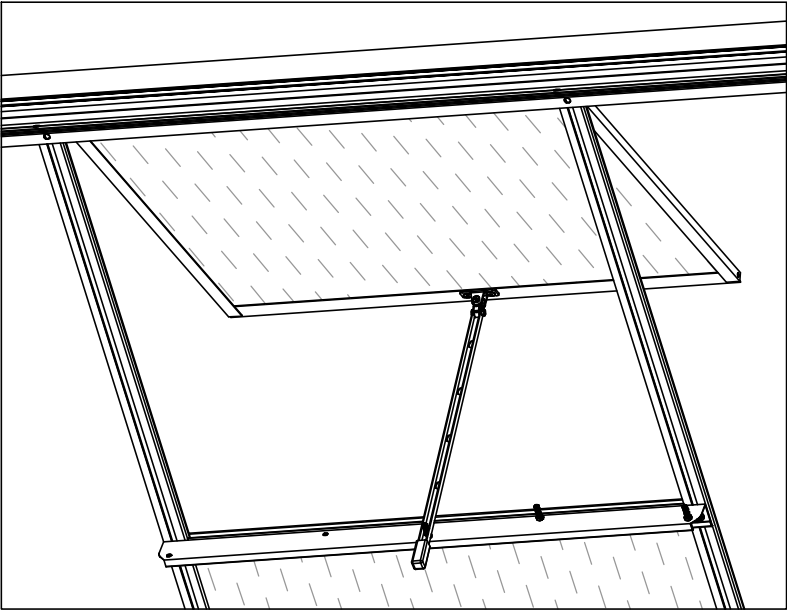




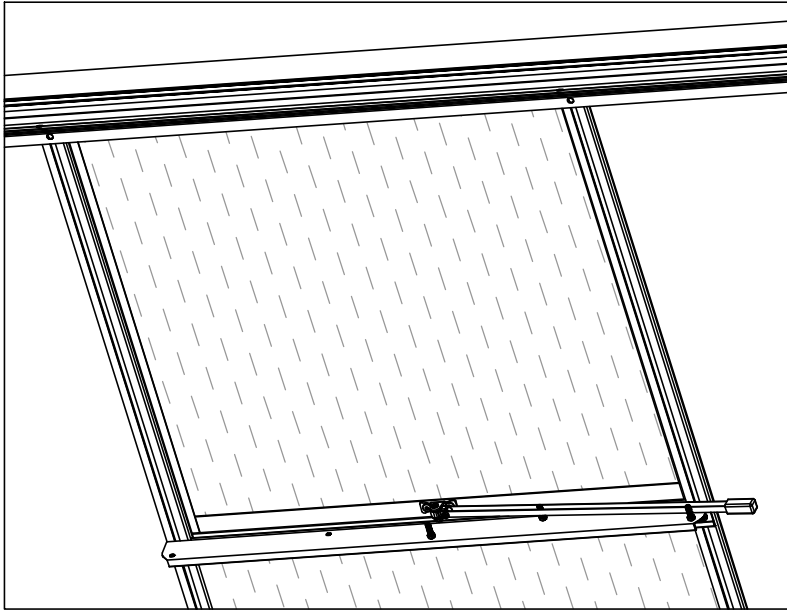




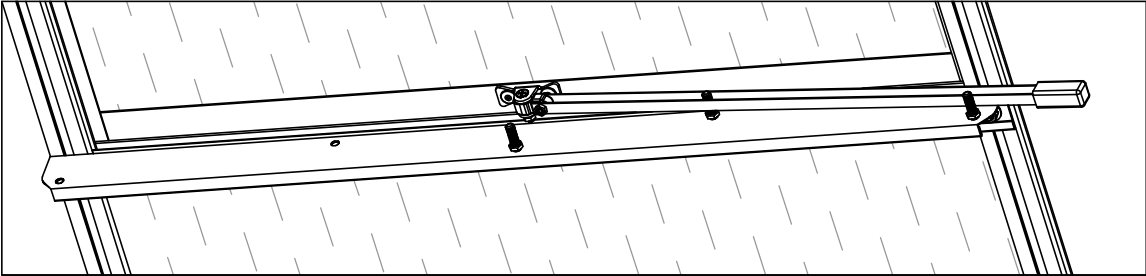
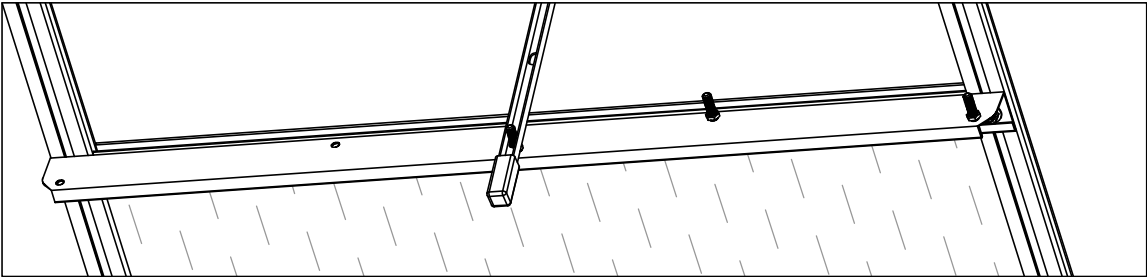
Note the use of the window

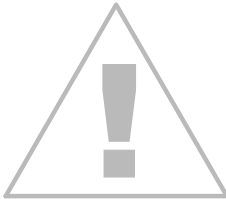
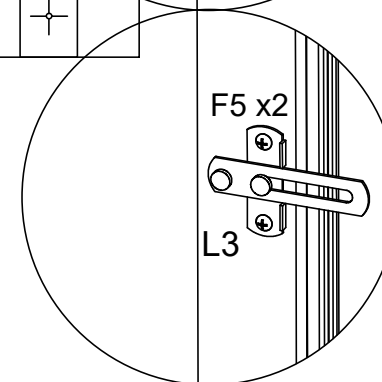
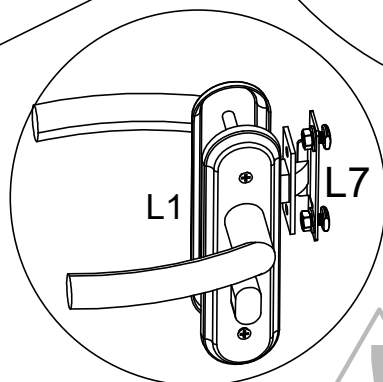
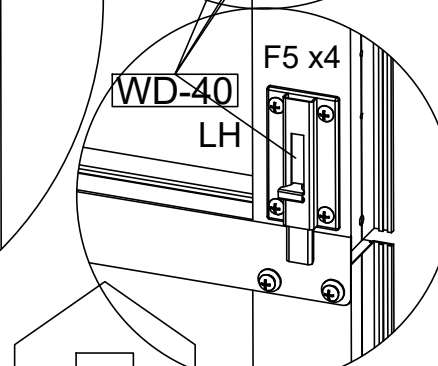
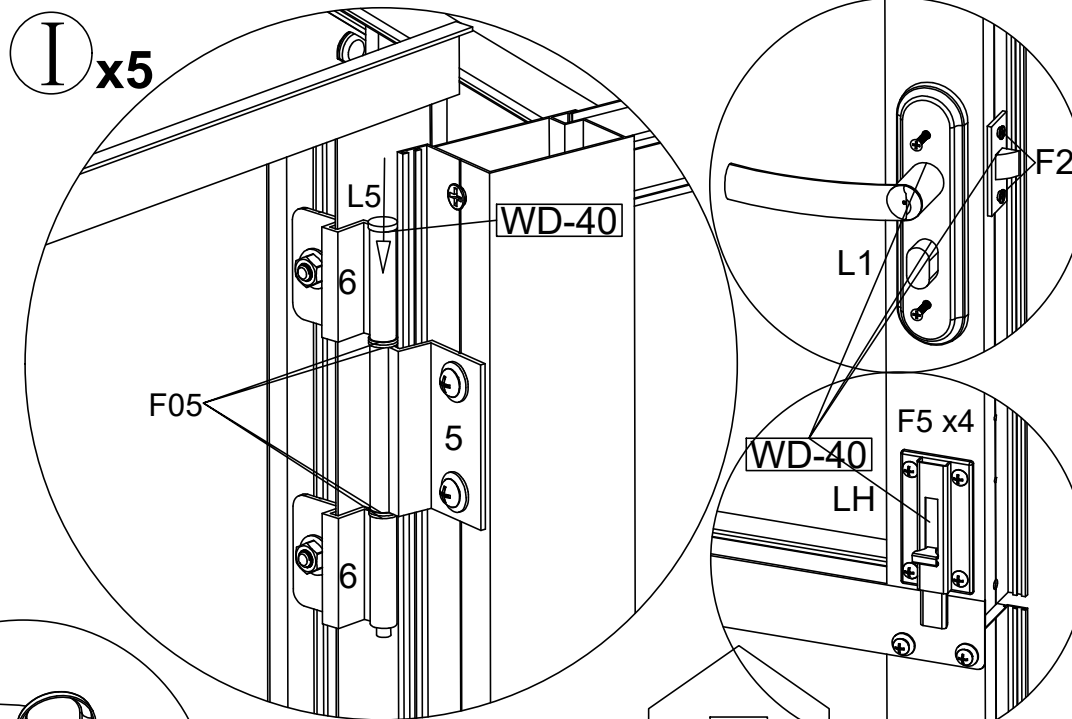
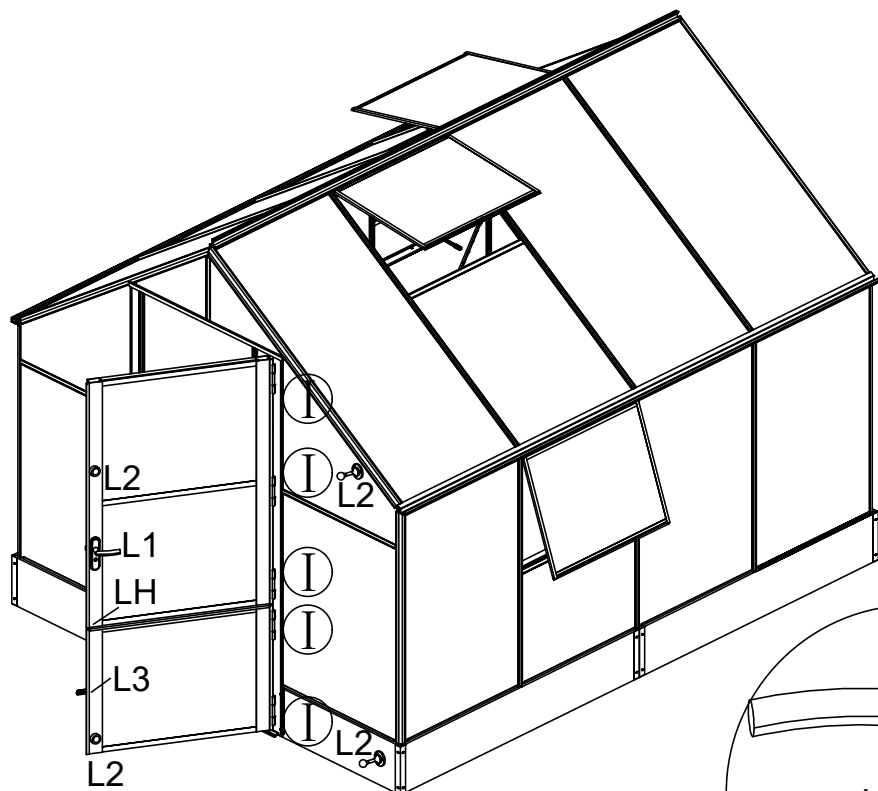
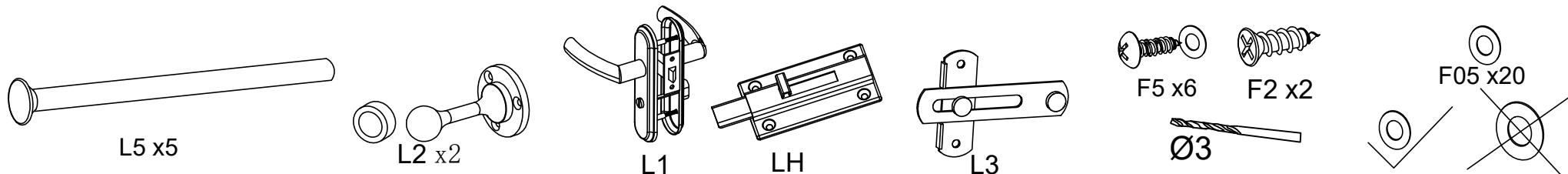


OPEN



CLOSE

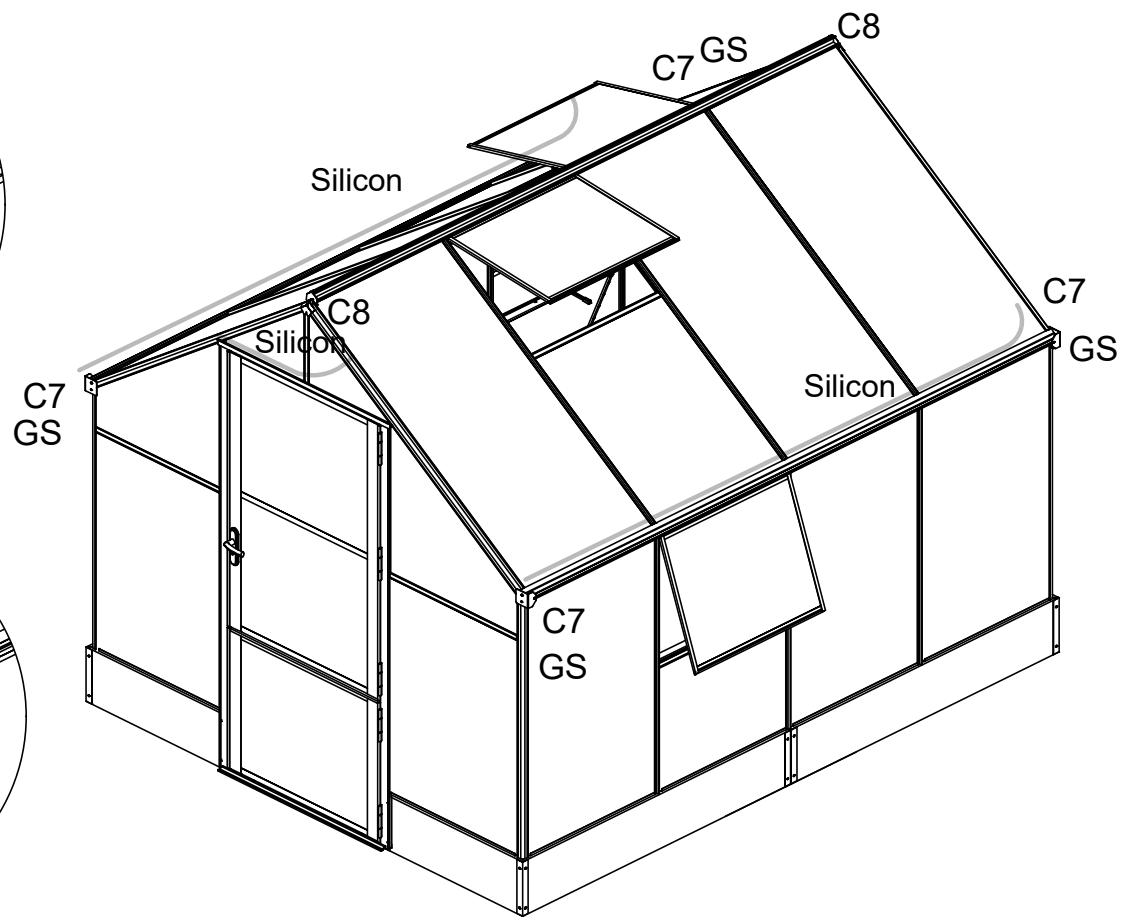
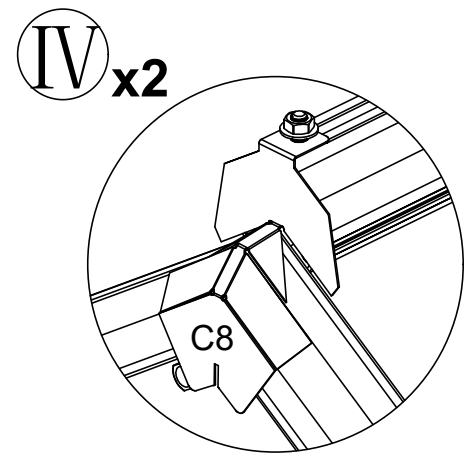
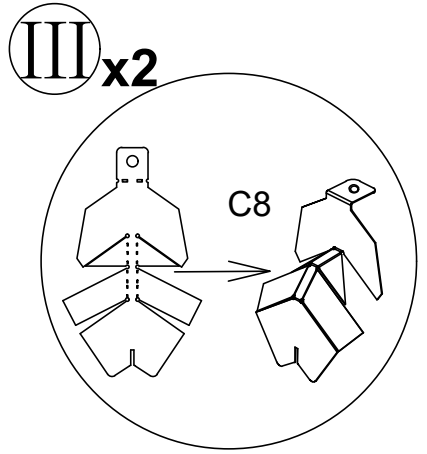
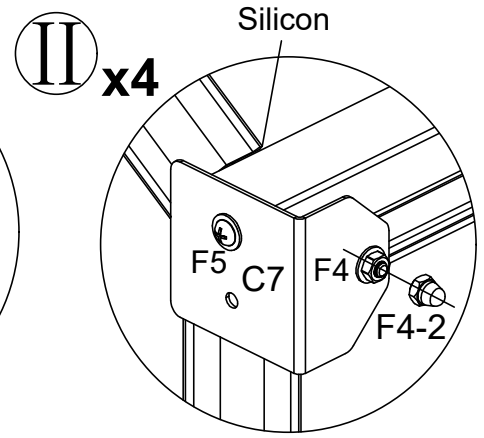
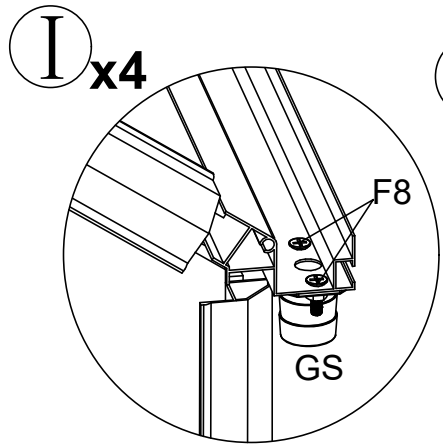
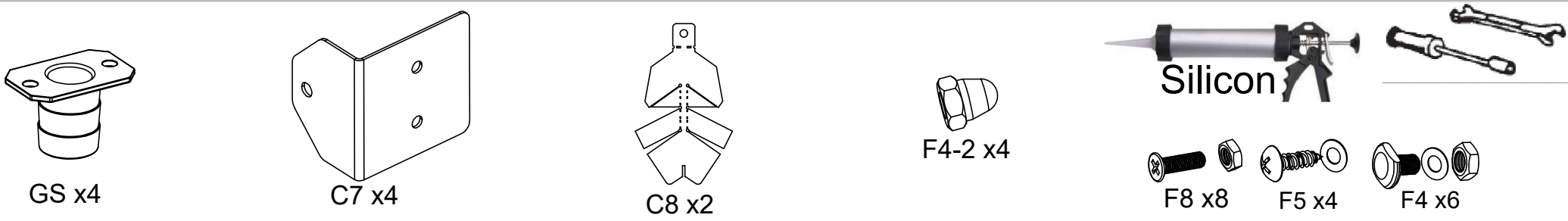




Determine the appropriate location before installing the door touch L2.



Adjust L7 according to the position of the latch.



Maintenance:

In a timely manner the centralizer skeleton.

1.If the ground not level off, loose soil layer thickness is differ, wall shed may tilt to one end, once found, should be timely the centralizer, in case of deformation. The shed may be slant when facing the un-level ground or loose soil layer, please righting the shed urgently to avoid deformation

2.Prevent increased loading-weight artificially.

Don't let any lentils, towel gourd, pumpkin and climbing fruits and vegetables to grow up on the canopy, otherwise if it is windy and rainy, skeleton is unbearable, and easy to cause skeleton crack, broken, collapse Avoid kinds of vine plant climbing on the canopy, or it can not bearing for the wind and heavy rain, broken,collapse may accured.

The sunshine board maintenance:

1.In the using canopy, note do not use sharp objects collision films, avoid to cut films. Be careful not collide with a sharp object films,in order to avoid scratched films when using.

2.If films appear rupture, can use glue to repair or repair with transparent tape. Available polyurethane adhesive for repairing. Often keep the films clean, generally the PC sheet replacement using 6 ~ 10 years later, so as not to affect the light transmittance. Using transparent tape adhesive to patch cracks of film when any broken in case .Keep clean films,it will better replaced by new panels after 6-10years to avoid affect the Light transmittance

3.The flame retardant in polycarbonate material, but still need to stay away from fire, avoid softening deformation.

As Polycarbonate is fire-retardant materials, please stay away from the fire ,to avoid softening deformation.

Frame maintenance:

1.The frame is aluminum alloy structure, if there is a white problem can wipe with a cloth in time, under high temperature and wet environment.

All frames are made of alloy aluminum. White spots may appeared under wet-hot environment, just wipe it.

2.If there is any distortion calibration shall be carried out in a timely manner in order to avoid sunshine board out, If Polycarbonate out of frame, please removed screws. Carried out in accordance with the manual installation steps, and partial restoration.Any distortion calibration shall be carried out in a timely to avoid the sunshine board fall off. Repair work should be according to the IM.

3.If connection piece serious rust, should change in time the new screws and connectors to ensure connection parts are firm

Please replaced the serious rust screws and connection for stable.

How to do in bad weather:

1.If there is lightning may not stay in the shed, because aluminum alloy skeleton is conductive and will be caused serious consequences

Do not stay under shed when lightning.

2.Wind power reaches 70 km/h should be prepared ready to defense equipment, fixed wall shed. Fixed method with a strong rope or cable connect the cornice work four Angle of anchor block inserted into the soil or tied in a nearby tree stem > 10 cm in diameter. Pay attention to the weather turns good dismantled after the rope or cable to avoid injury and pedestrian.

Please get defensive measures when facing heavy wind (abt 70km/H). Reinforce by steel rope and anchors which insert into ground or Strapping on a big tree

3.Clear in time at the top of the deciduous leaves led to the decrease of the canopy transparency, heat preservation effect is reduced

To avoid greenhouses reduced transparency, heat preservation effect is reduced, please clean up the leaves at the top.

4.During snow, removal work in time, if not timely to snow removal, Use solid wooden plate supporting internal intermediate point and middle position of polycarbonate, prevent snow collapsing the wall shed.

To prevent collapsing by snow, please remove the snow in time,Or support by a wooden stick support in the center of the sunshine board for reinforcement

