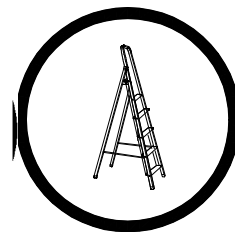
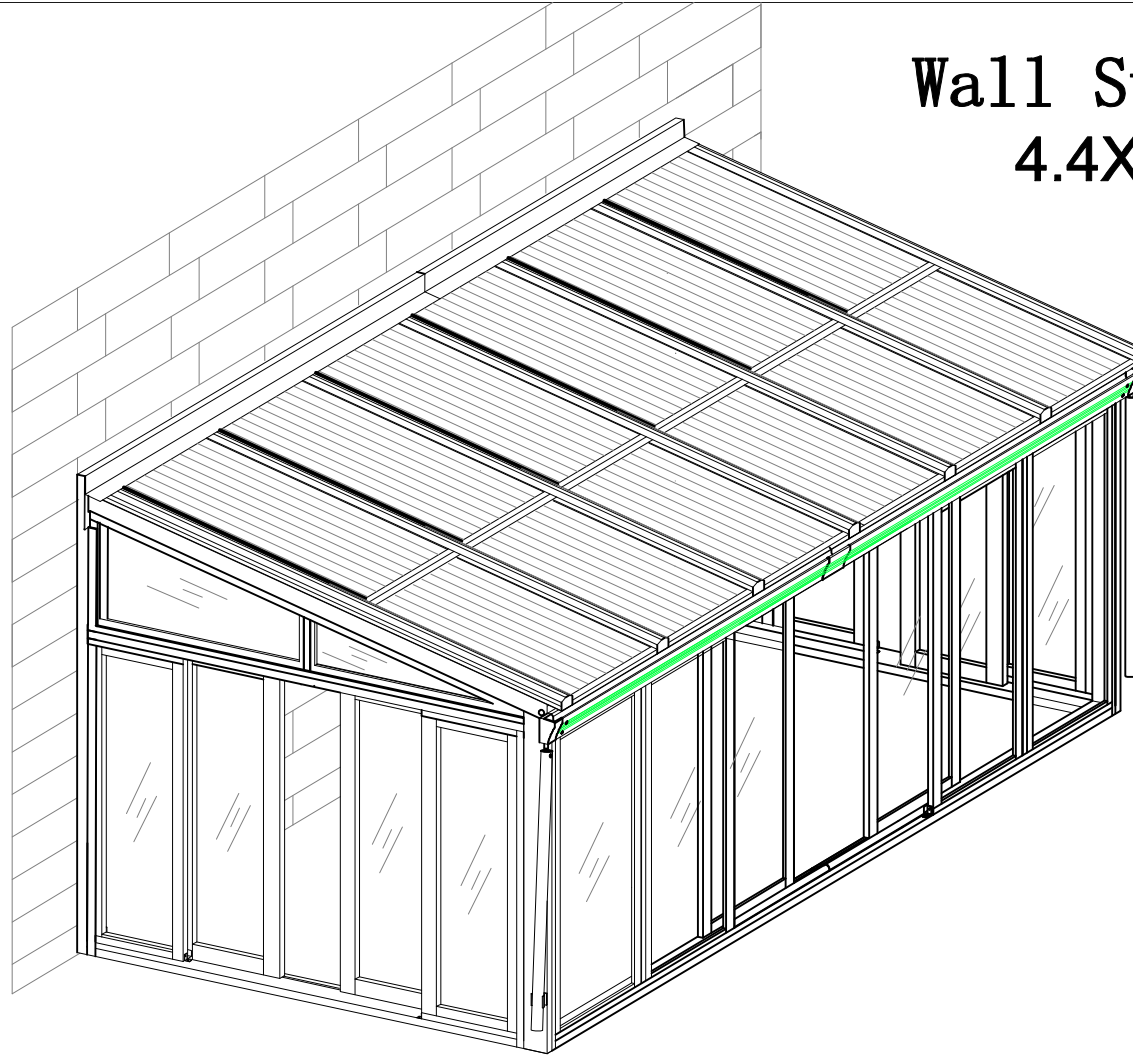
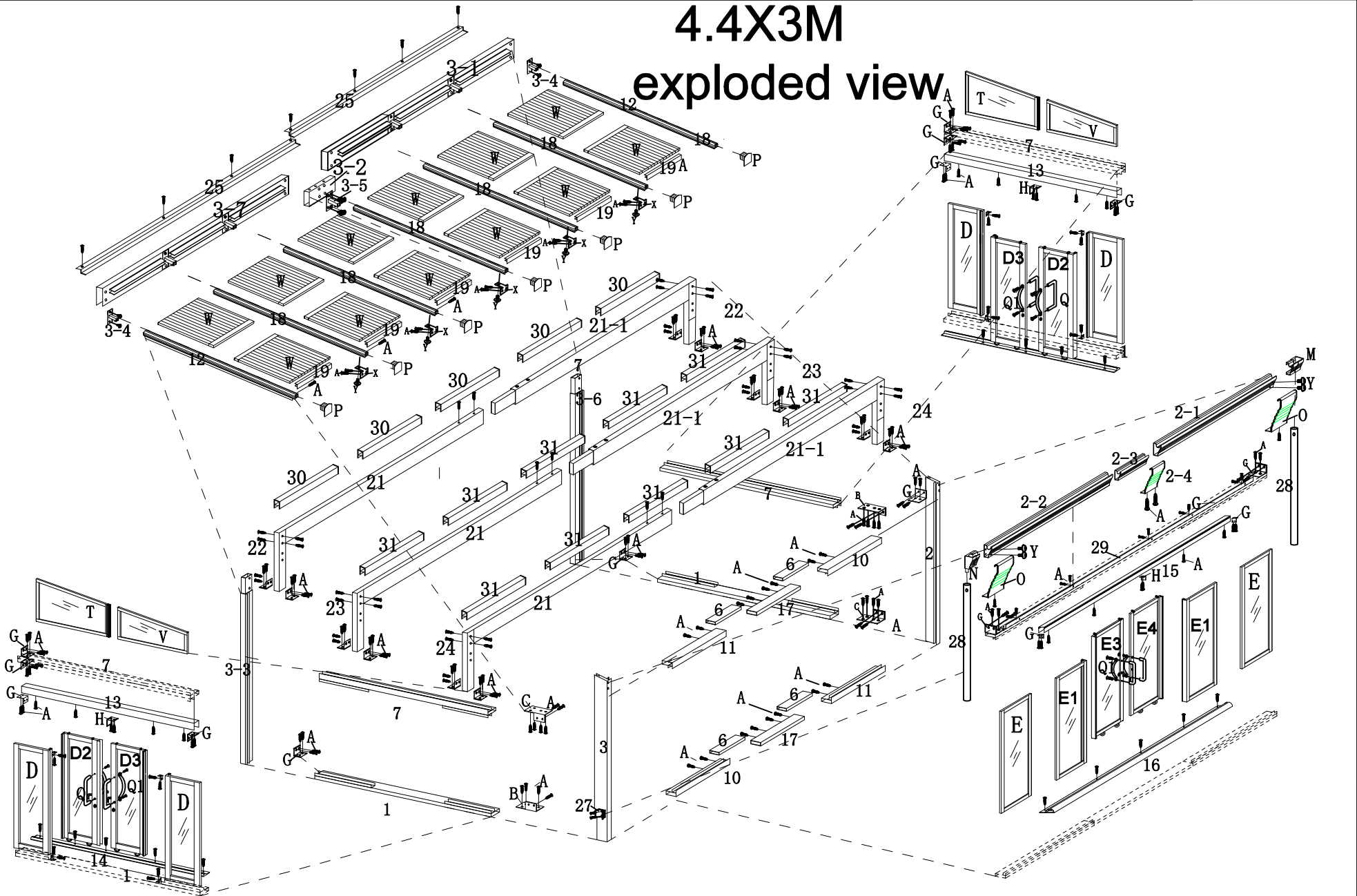
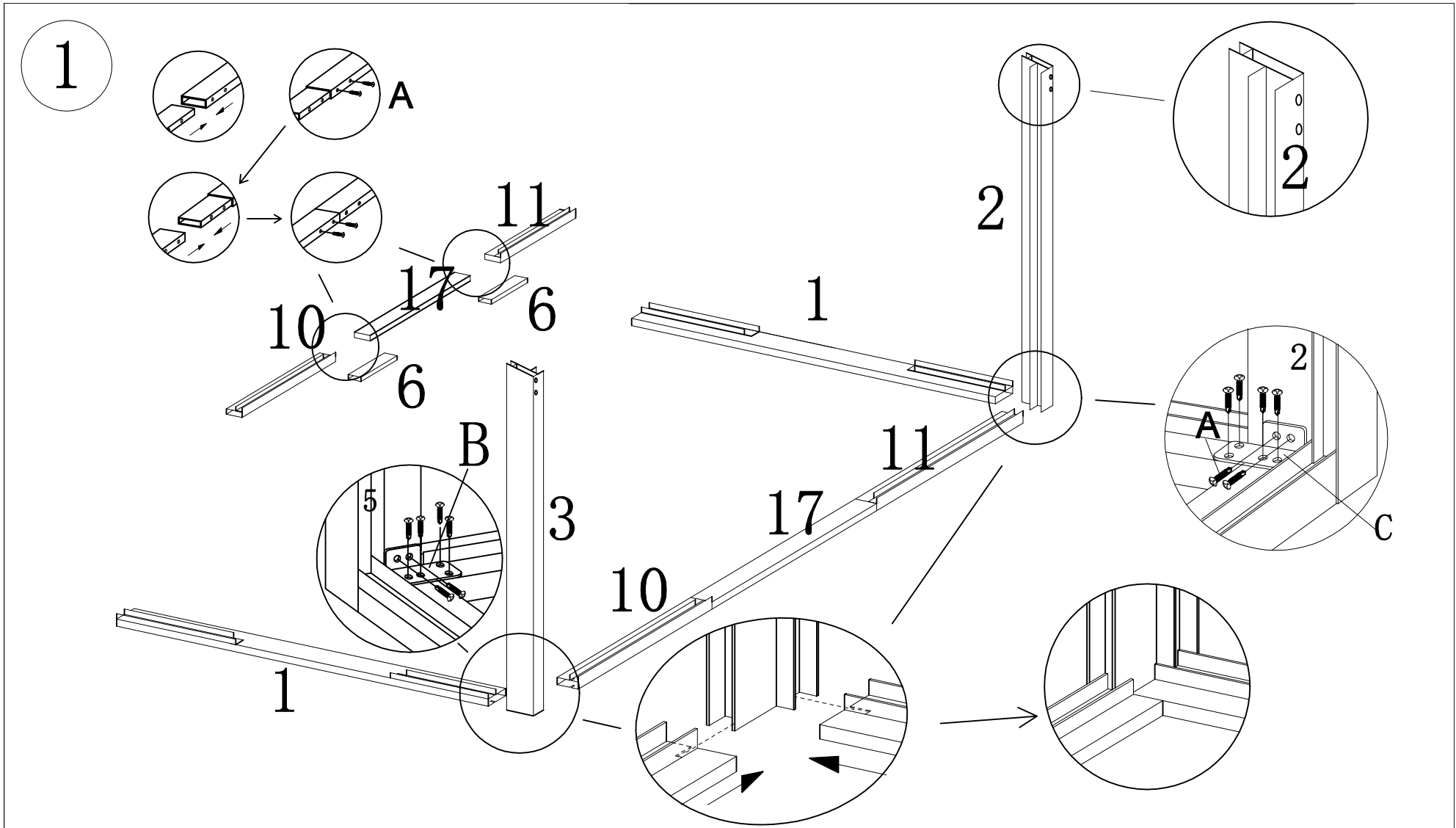


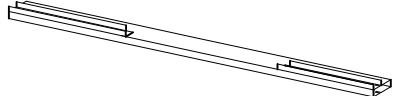
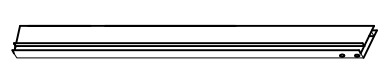
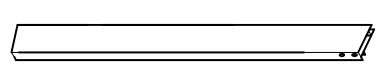
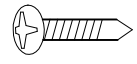


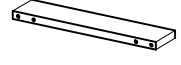
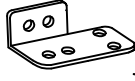
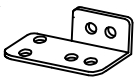
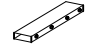
Wall Sun Room 4.4X3M



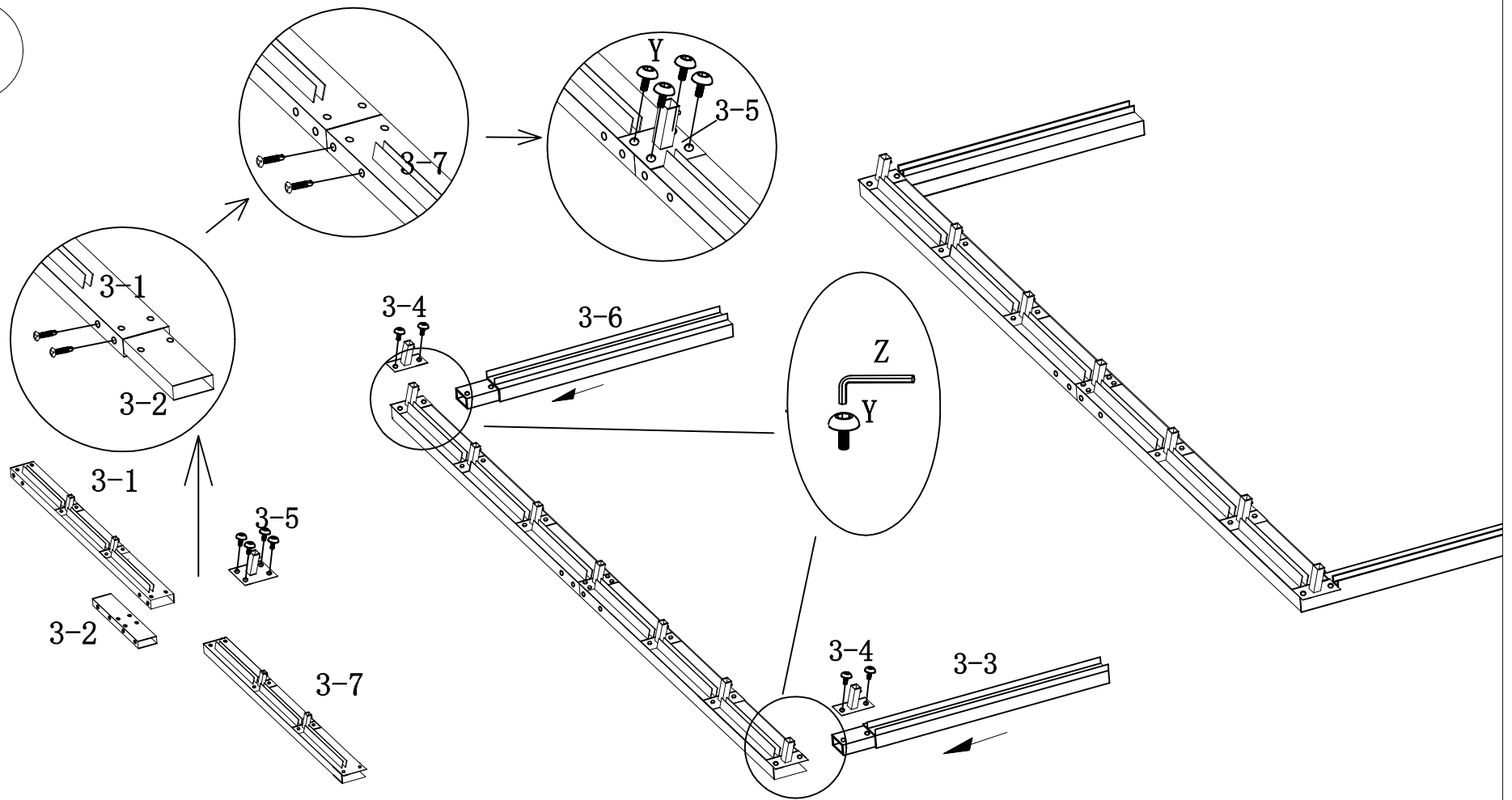
4.4X3M exploded view

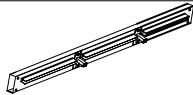

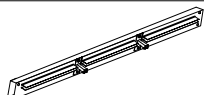
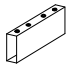
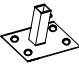









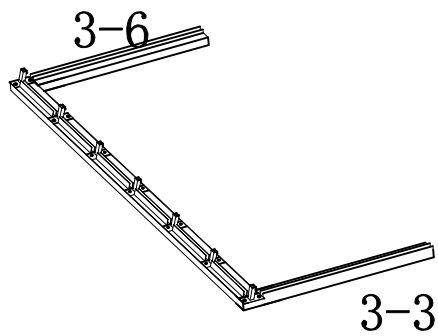
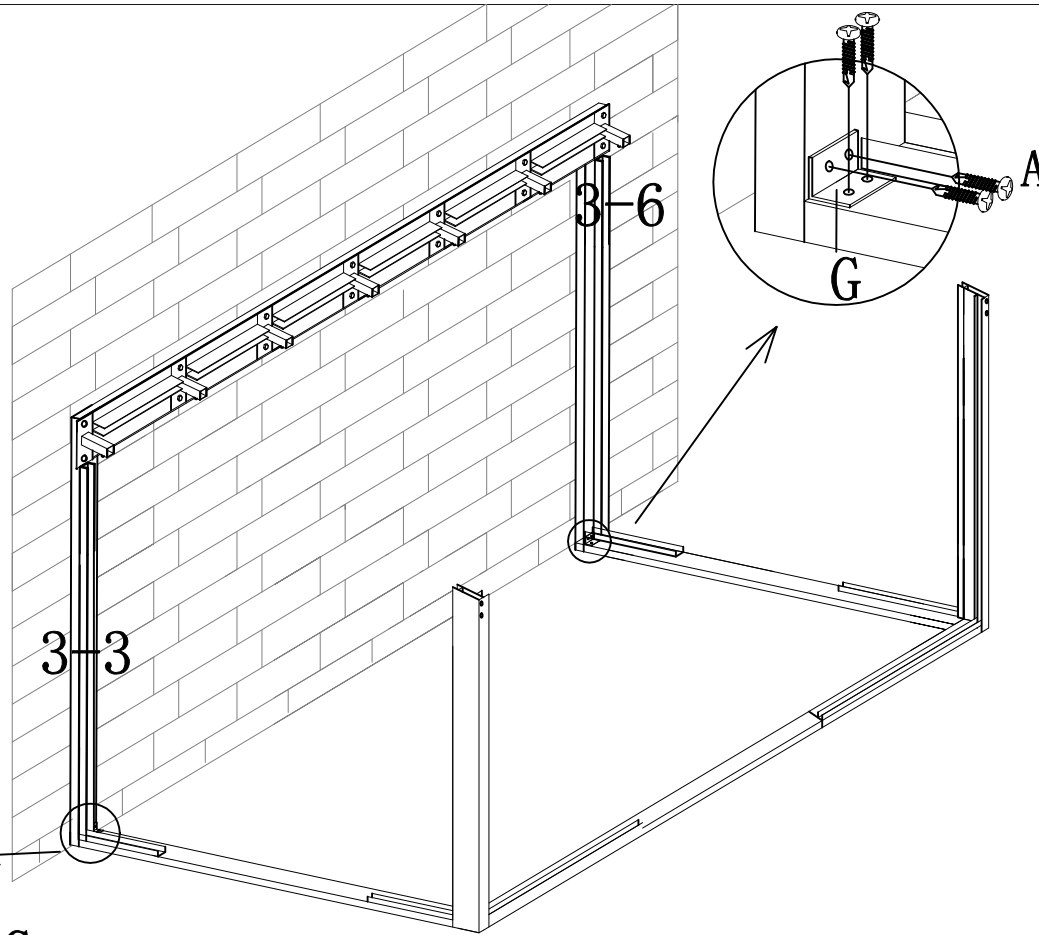
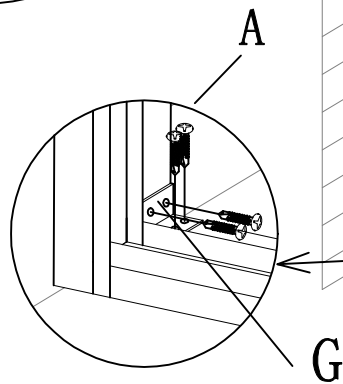
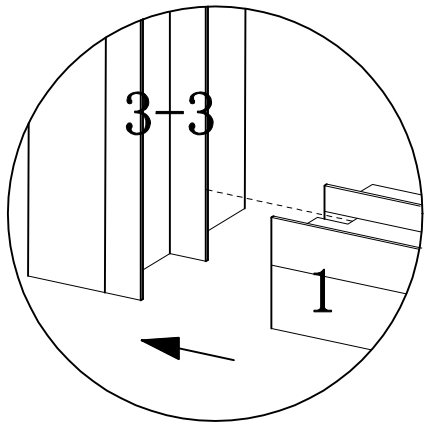
<p>1</p>  <p>x2</p>	<p>2</p>  <p>x1</p>	<p>3</p>  <p>x1</p>	<p>A</p>  <p>x20</p>	
<p>10</p>  <p>x1</p>	<p>11</p>  <p>x1</p>	<p>17</p>  <p>x1</p>	<p>B</p>  <p>x1</p> <p>C</p>  <p>x1</p>	<p>6</p>  <p>x2</p>

2

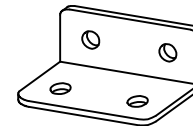


3-1		x1	3-4		x2	3-7		x1			
3-2		x1	3-5		x1	Y		x8			
3-3		x1	3-6		x1	A		x4	Z		x2

3

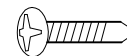


G



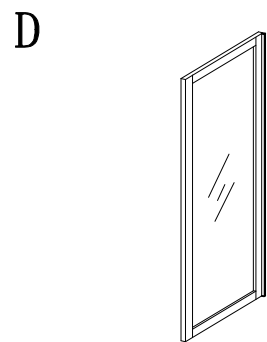
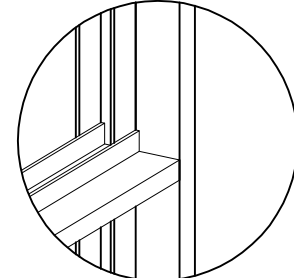
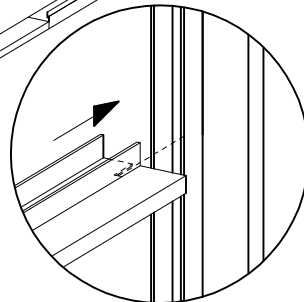
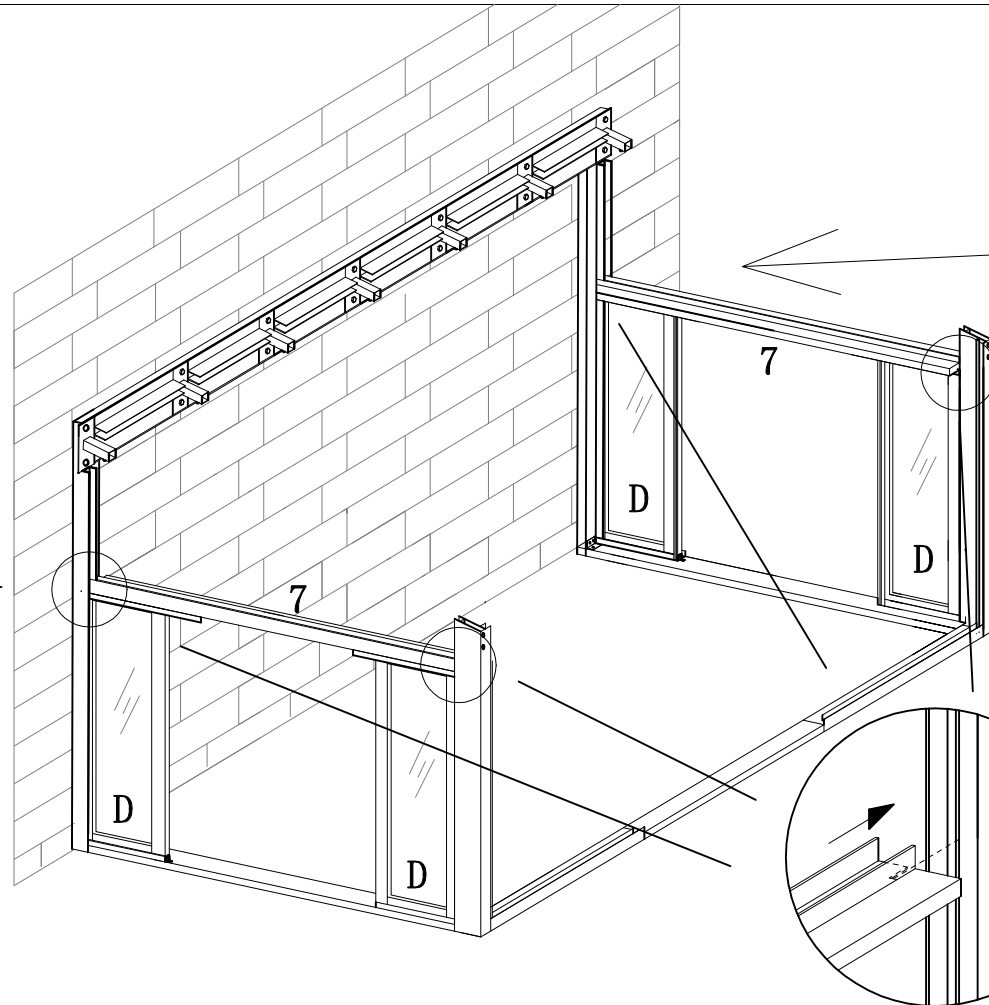
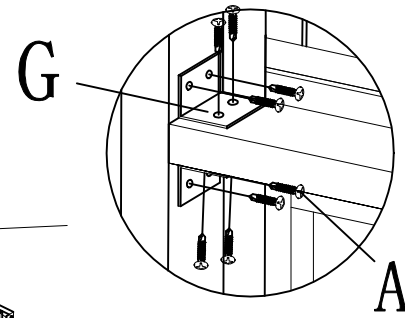
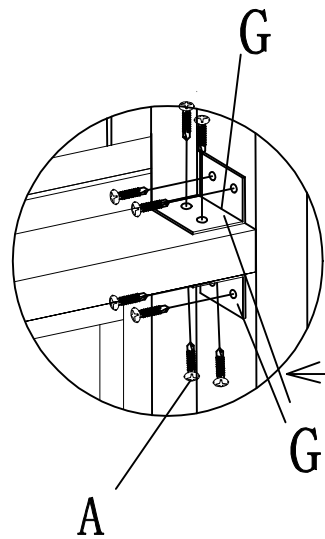
x2

A

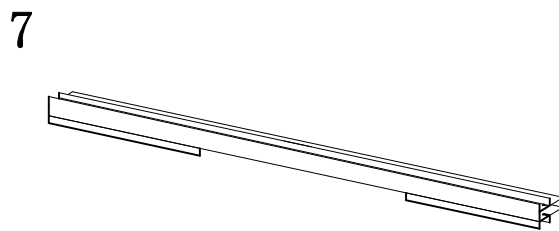


x8

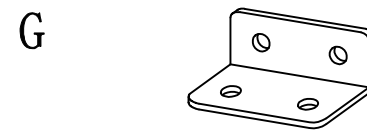
4



x4



x2

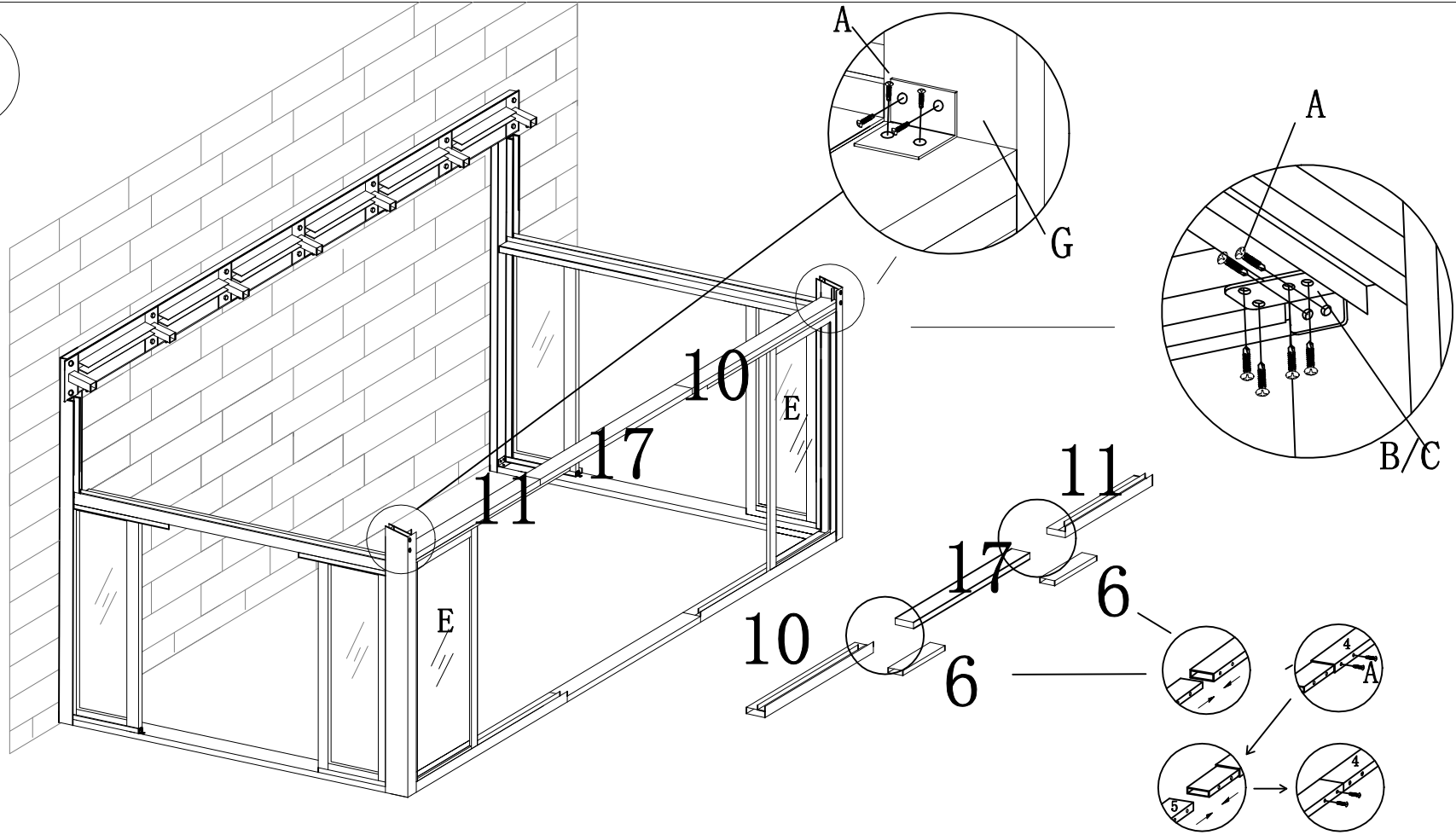


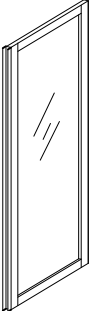



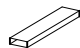
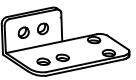
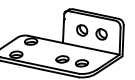
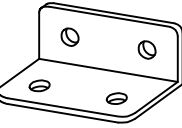
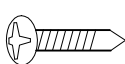
x4



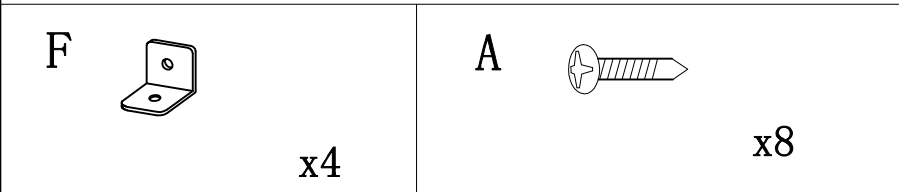
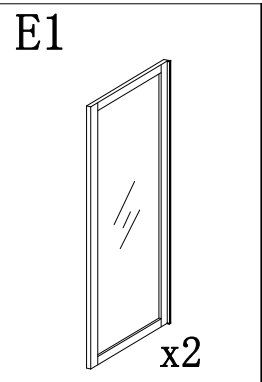
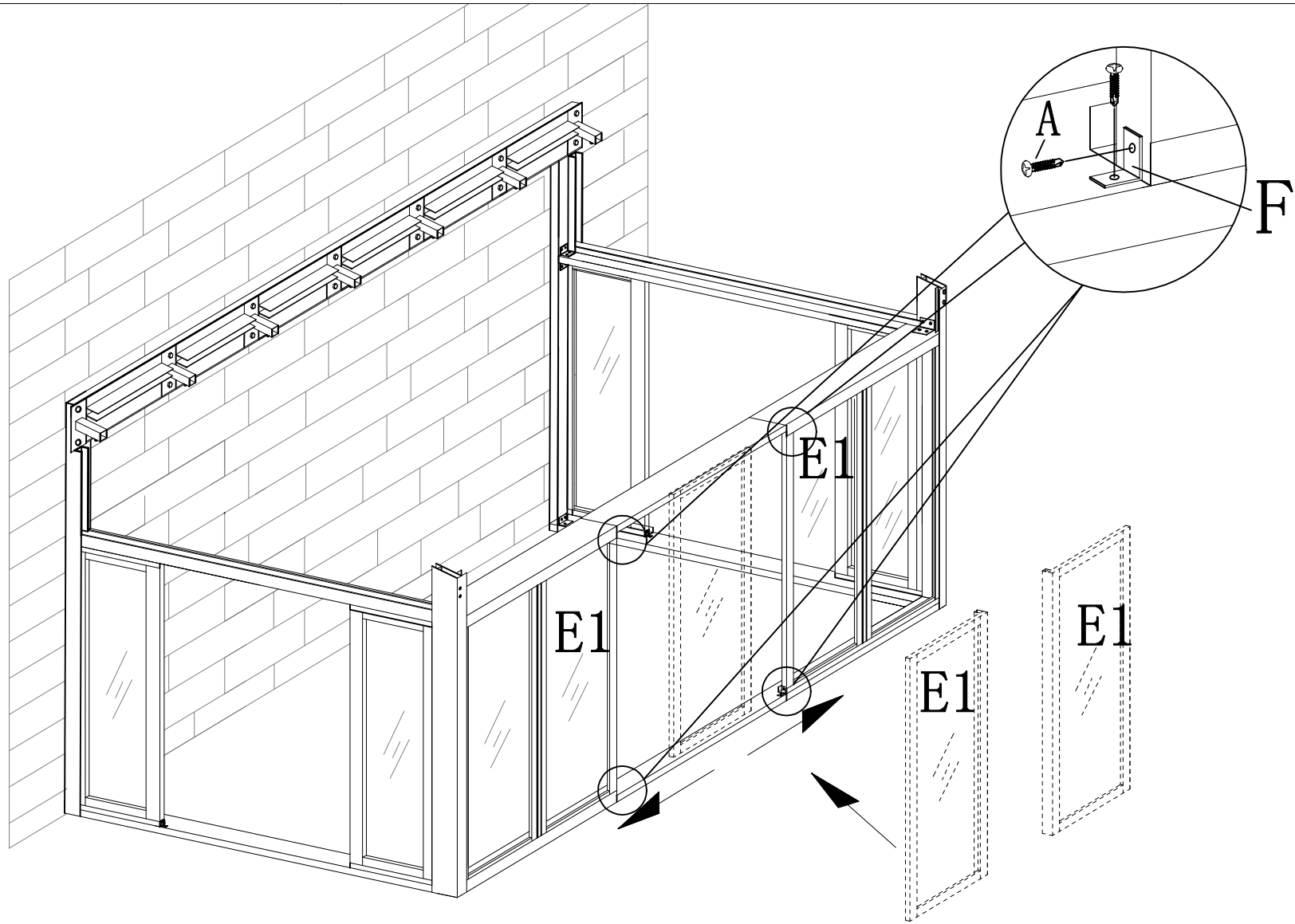
x16

5

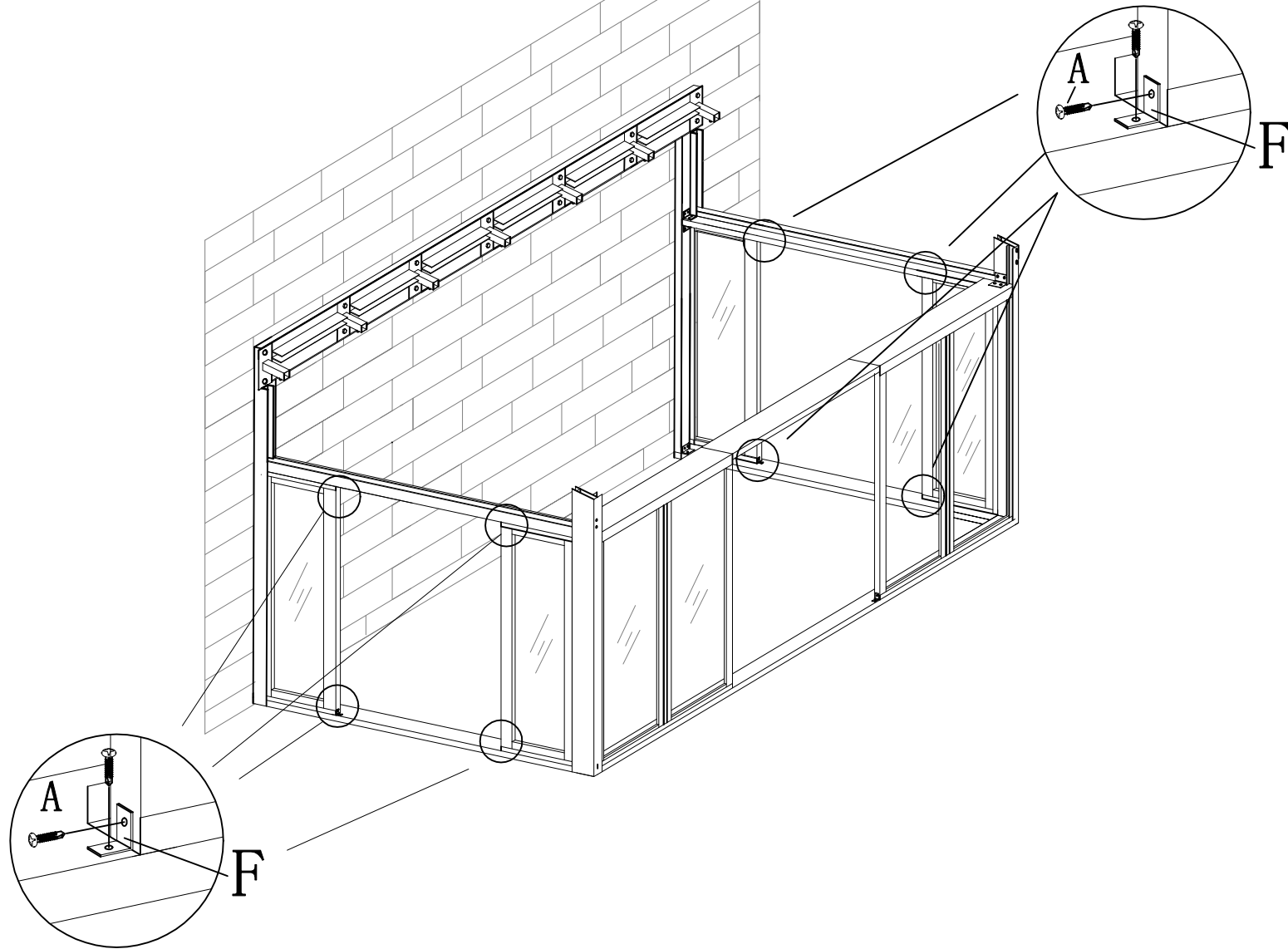


 <p>E</p> <p>x2</p>	 <p>10</p> <p>x1</p>	 <p>11</p> <p>x1</p>	 <p>17</p> <p>x1</p>	 <p>6</p> <p>x2</p>
	 <p>B</p> <p>x1</p>	 <p>C</p> <p>x1</p>	 <p>G</p> <p>x2</p>	 <p>A</p> <p>x24</p>

6



7

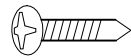


F



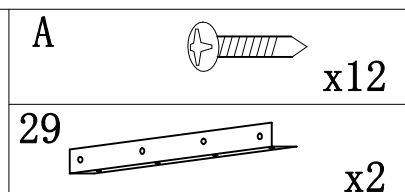
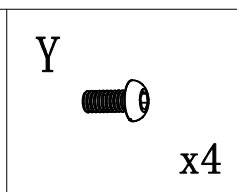
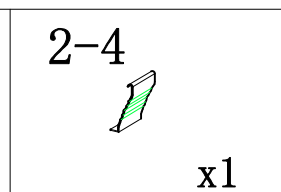
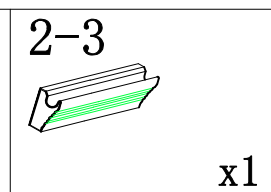
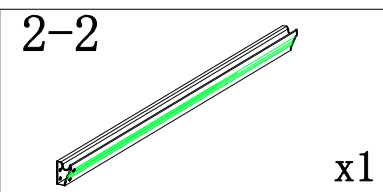
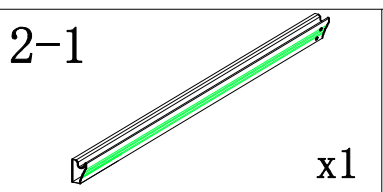
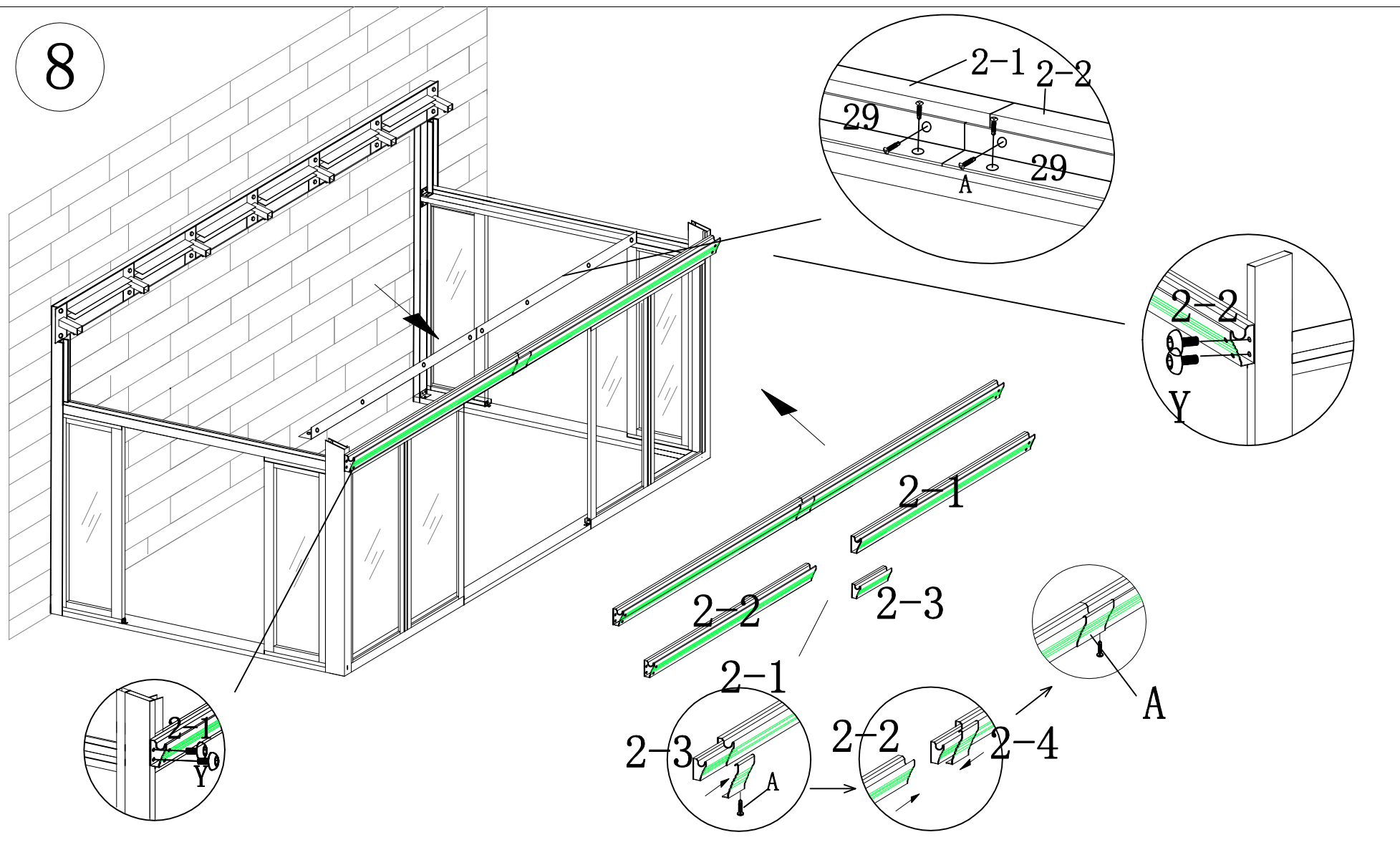
x8

A

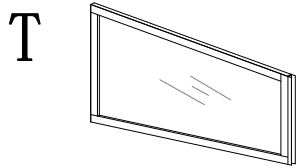
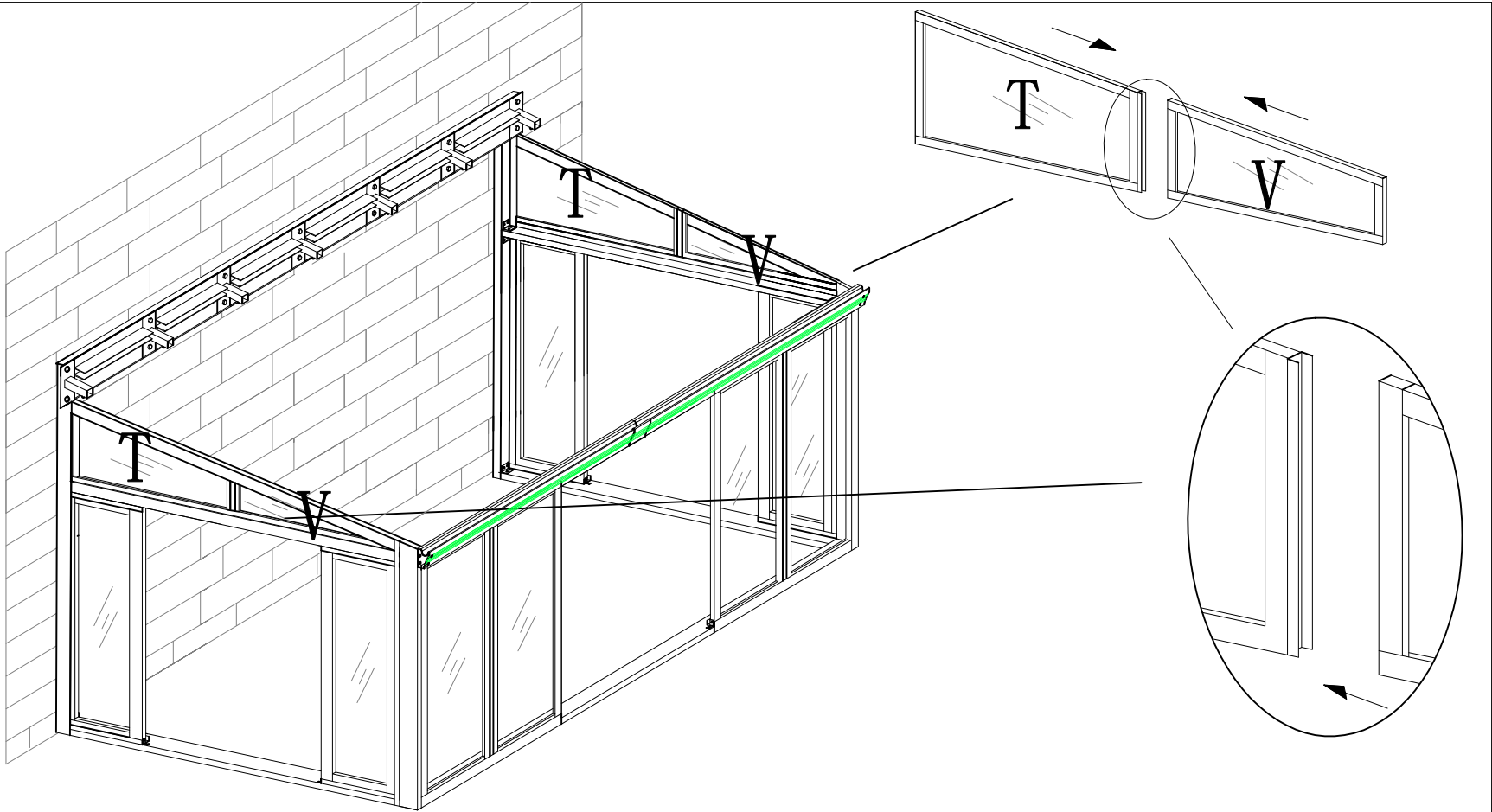


x16

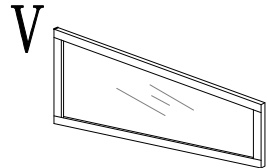
8



9

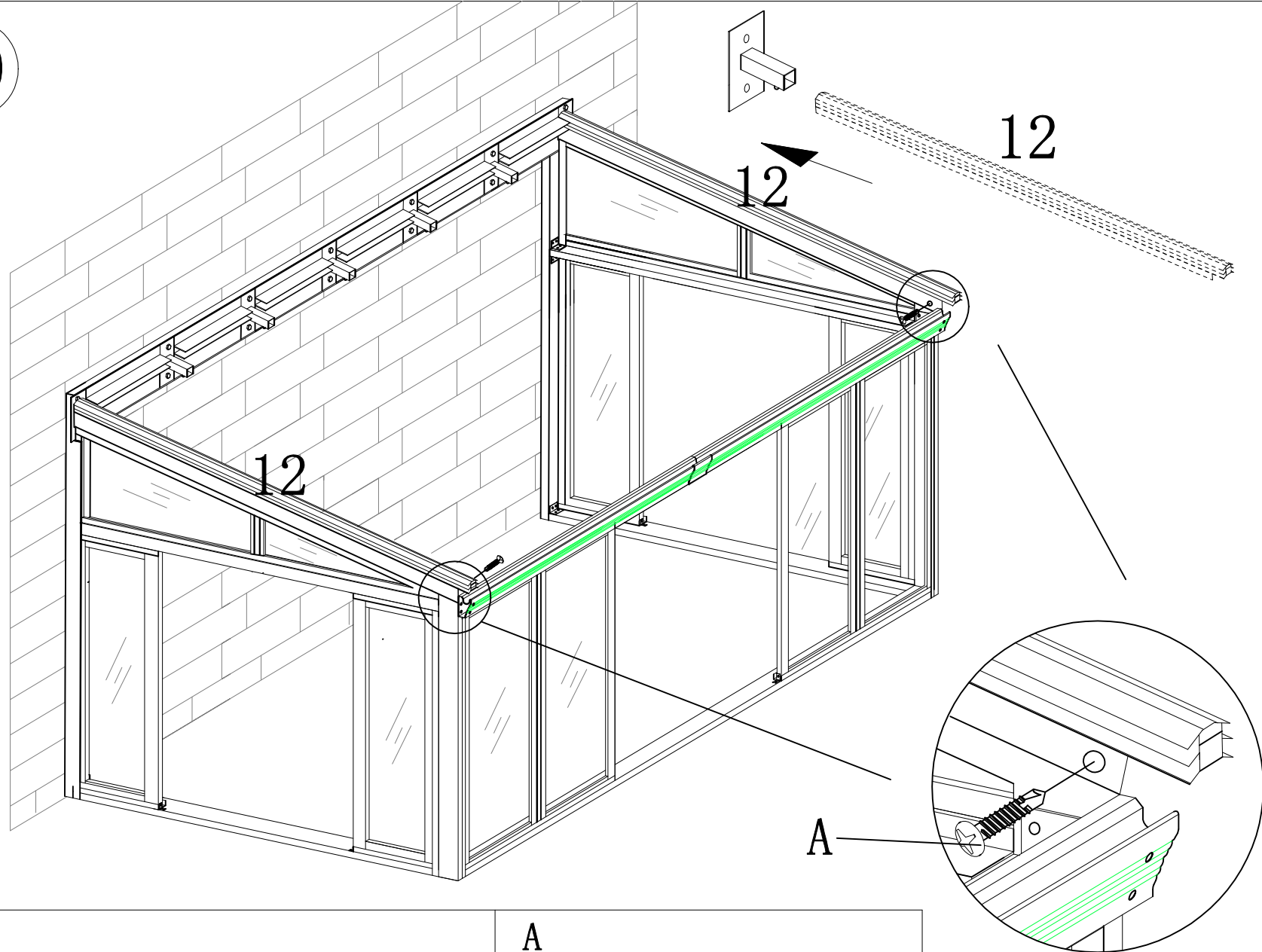


x2

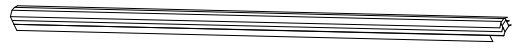


x2

10

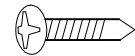


12



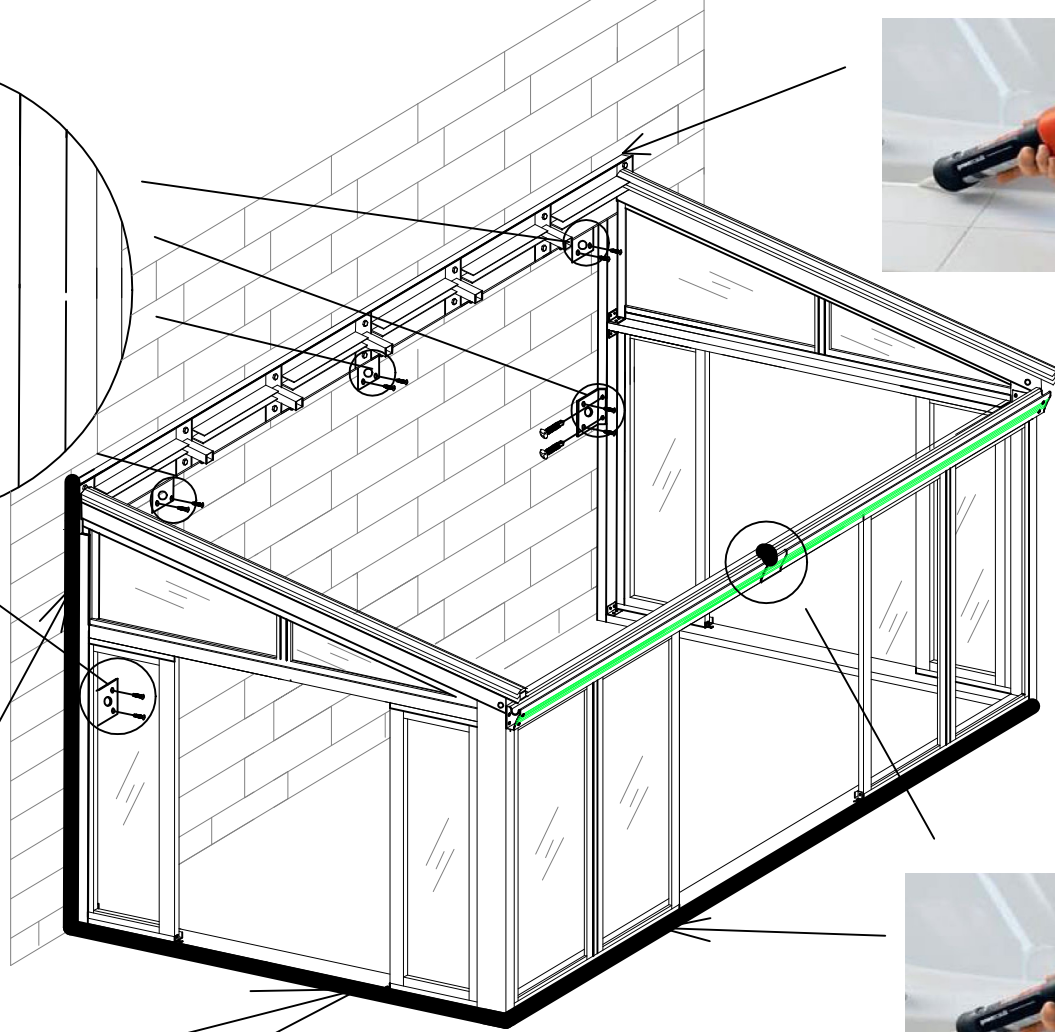
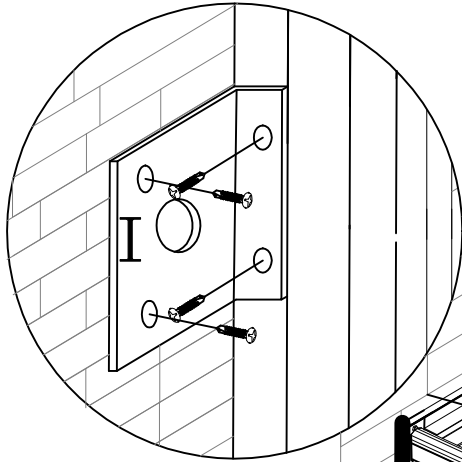
x2

A



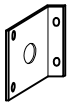
x2

11



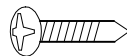
Please reinforce with glass glue on the wall, glass glue is not including.

I



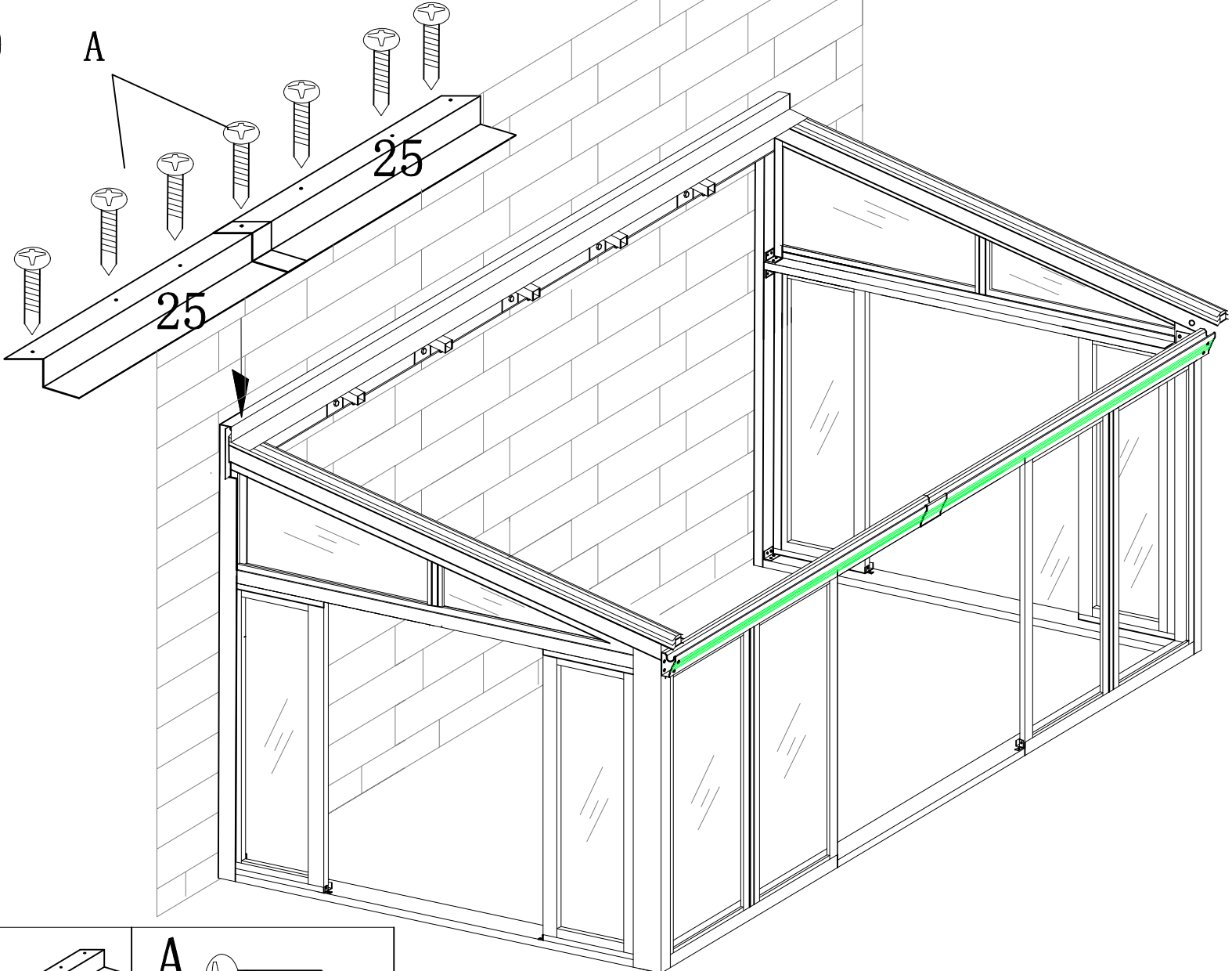
×10

A

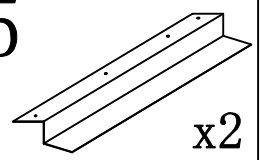


x40

12

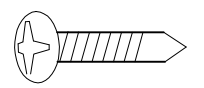


25



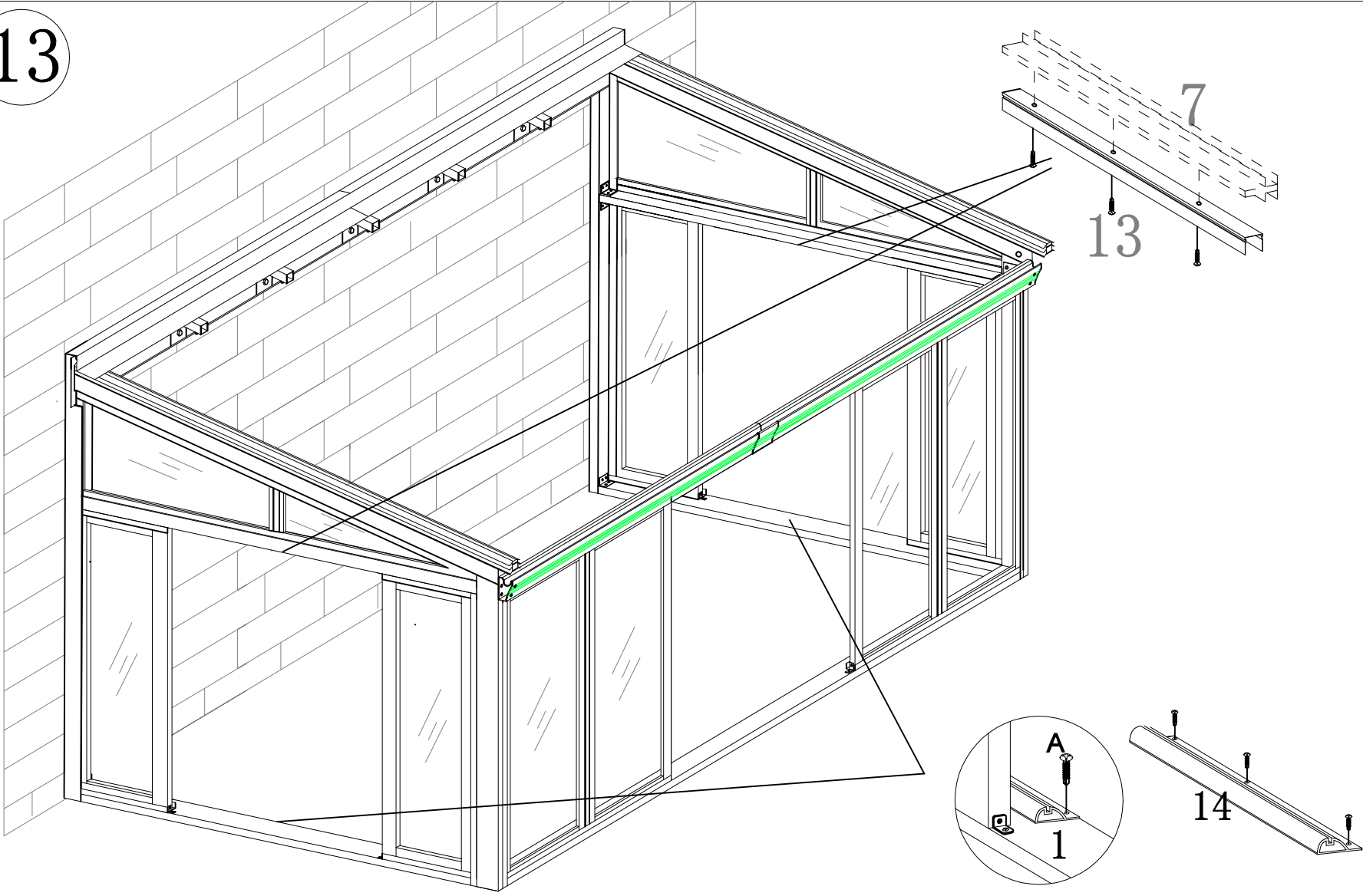
x2

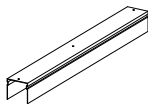
A




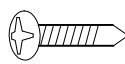
x7

13

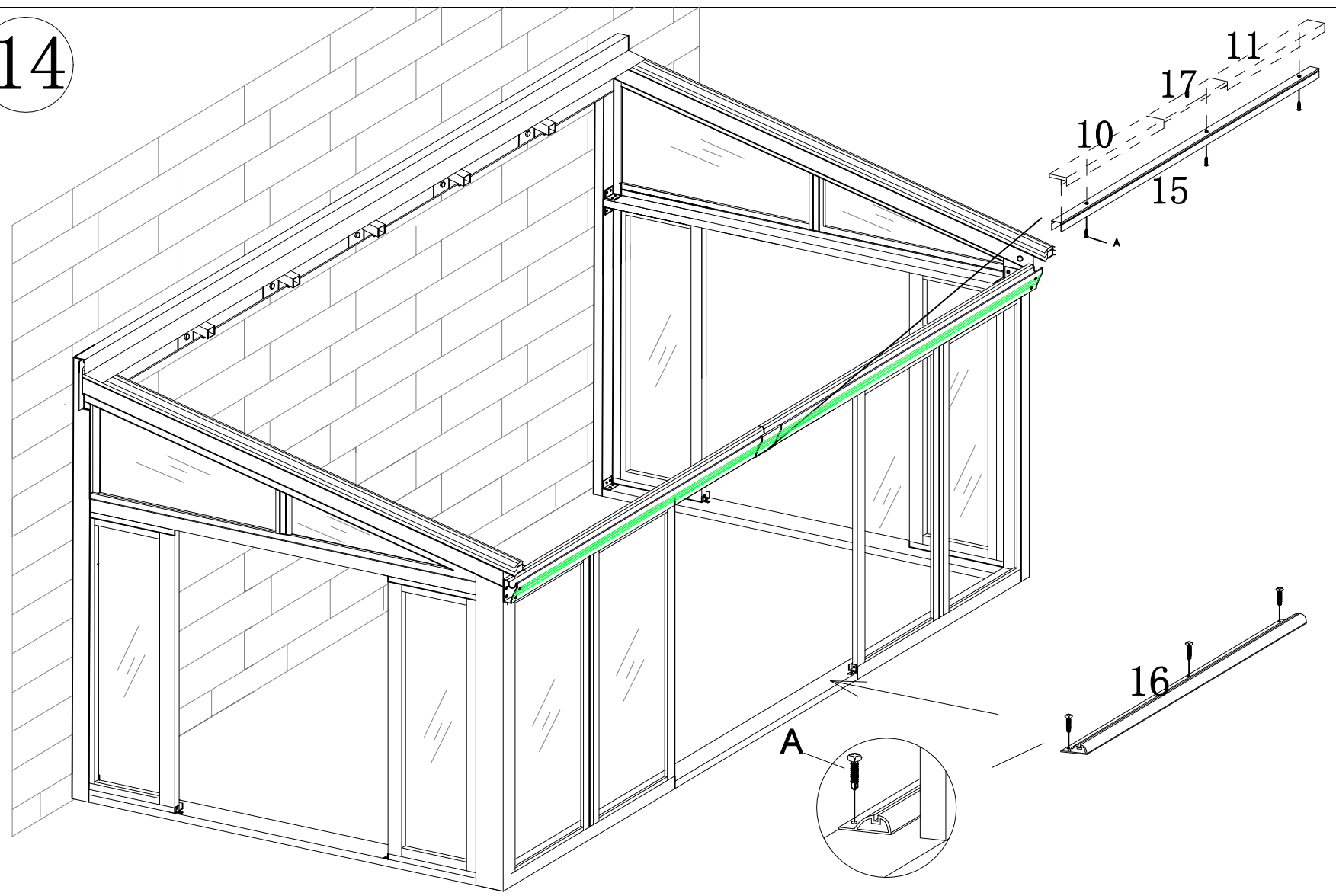


13  ×2

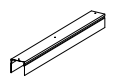
14  ×2

A  x12

14




15



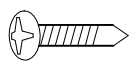
x1

16



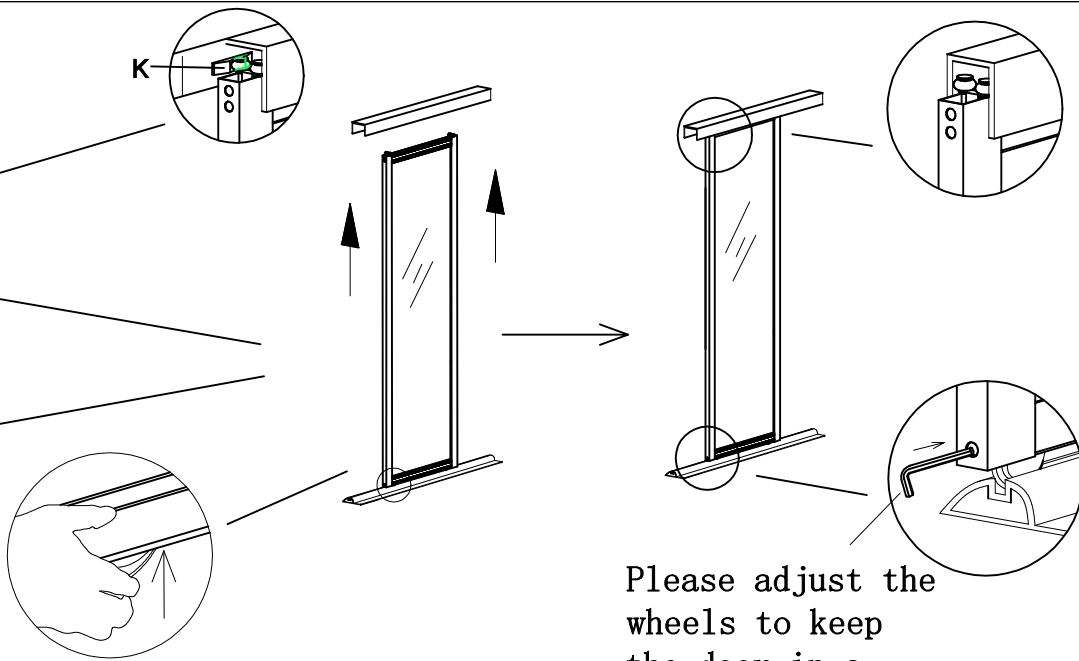
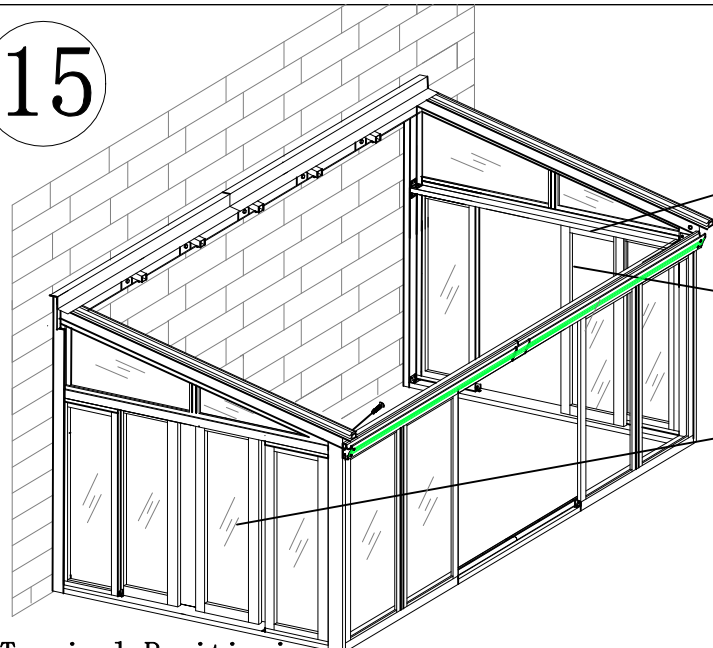
x1

A



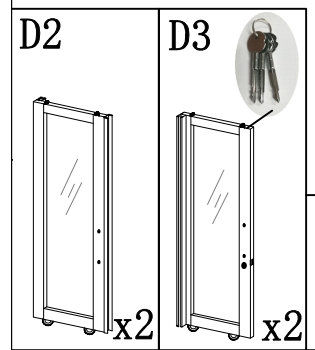
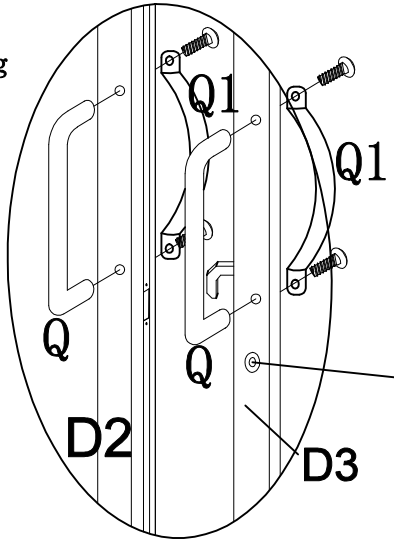
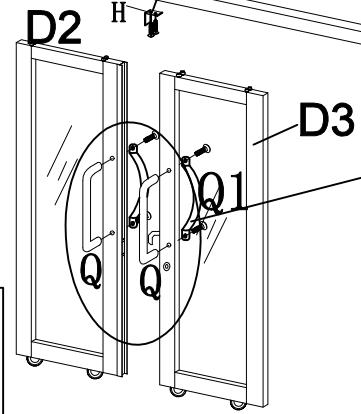
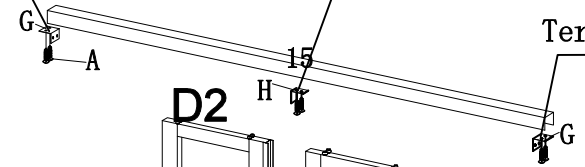
x6

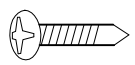



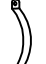

15



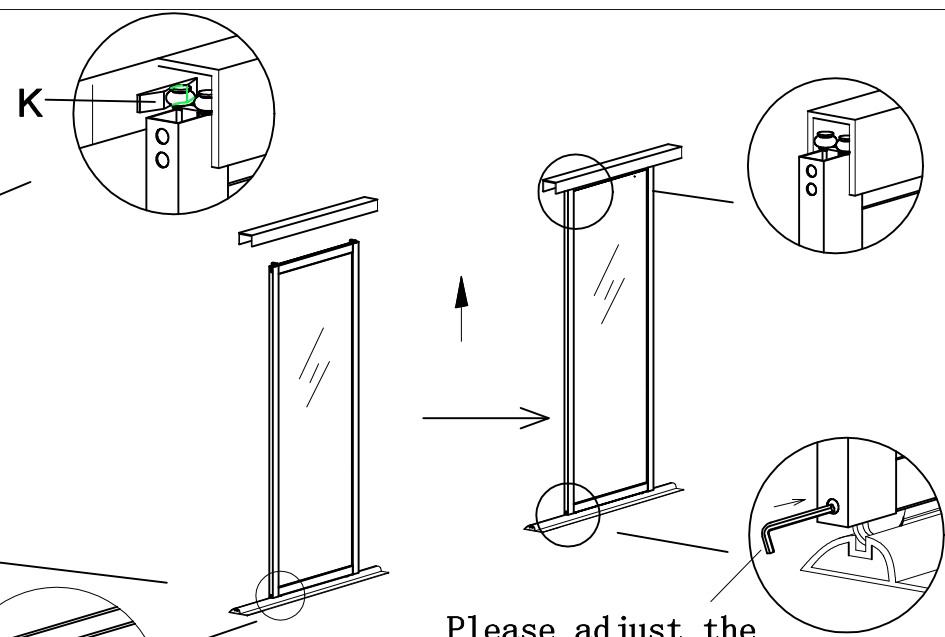
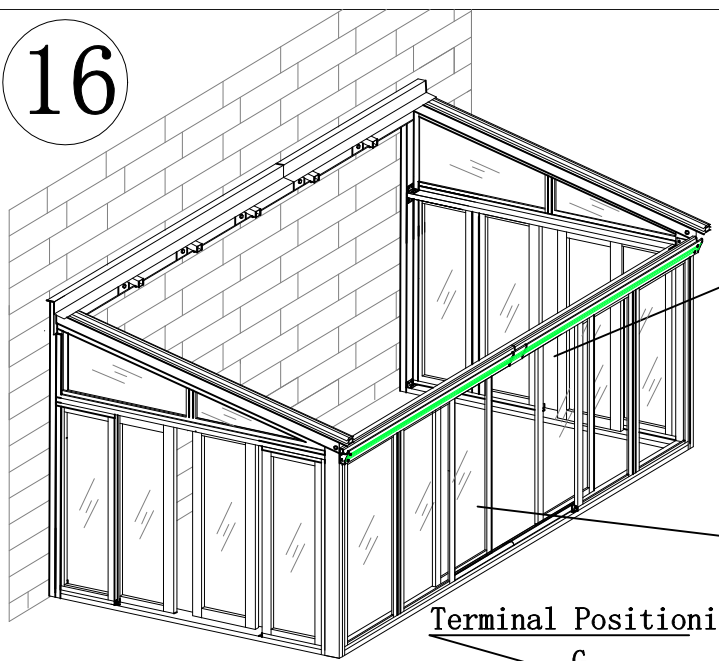
Please adjust the wheels to keep the door in a straight position.

Terminal Positioning Centralized Positioning Terminal Positioning

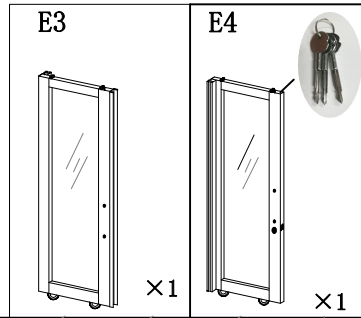
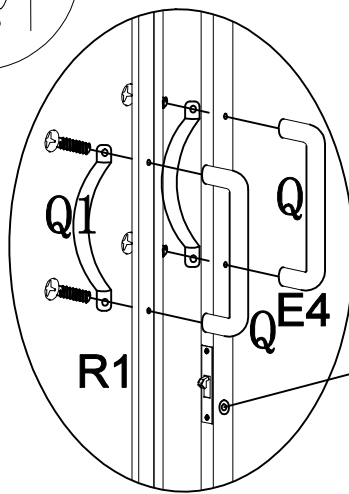
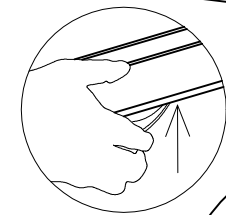
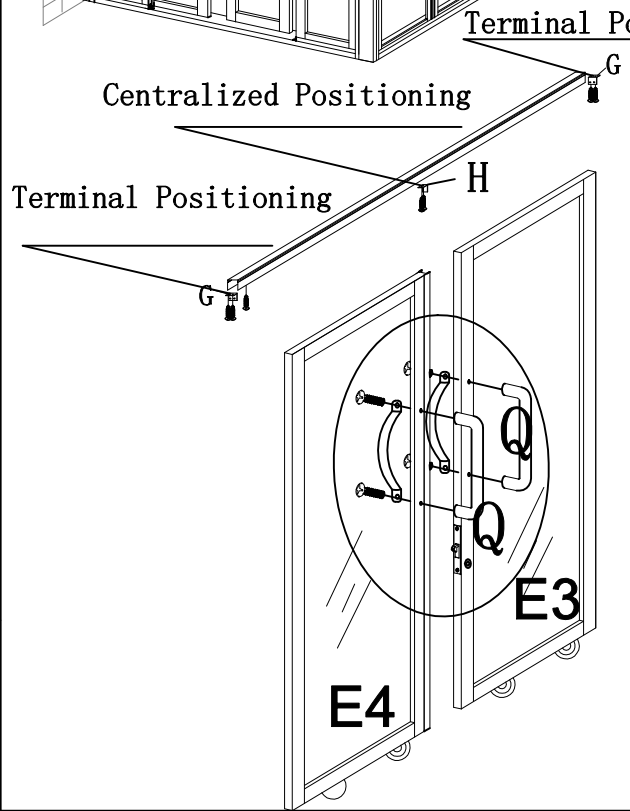


<p>A</p>  <p>x12</p>	<p>G</p>  <p>x4</p>	<p>K</p>  <p>x4</p>	<p>Q</p>  <p>x4</p>	<p>Q1</p>  <p>x4</p>	<p>H</p>  <p>x2</p>
---	--	--	--	---	--

16

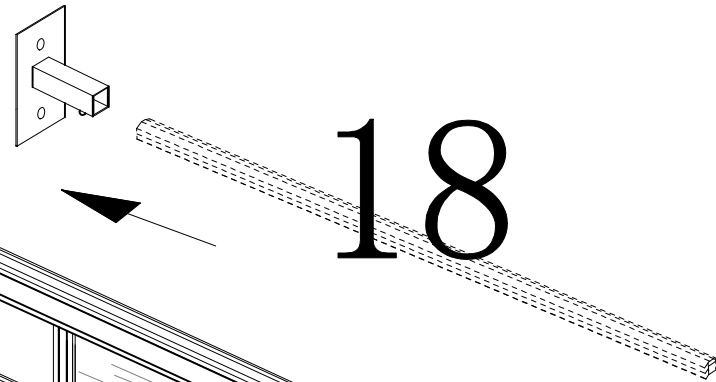


Please adjust the wheels to keep the door in a straight position.

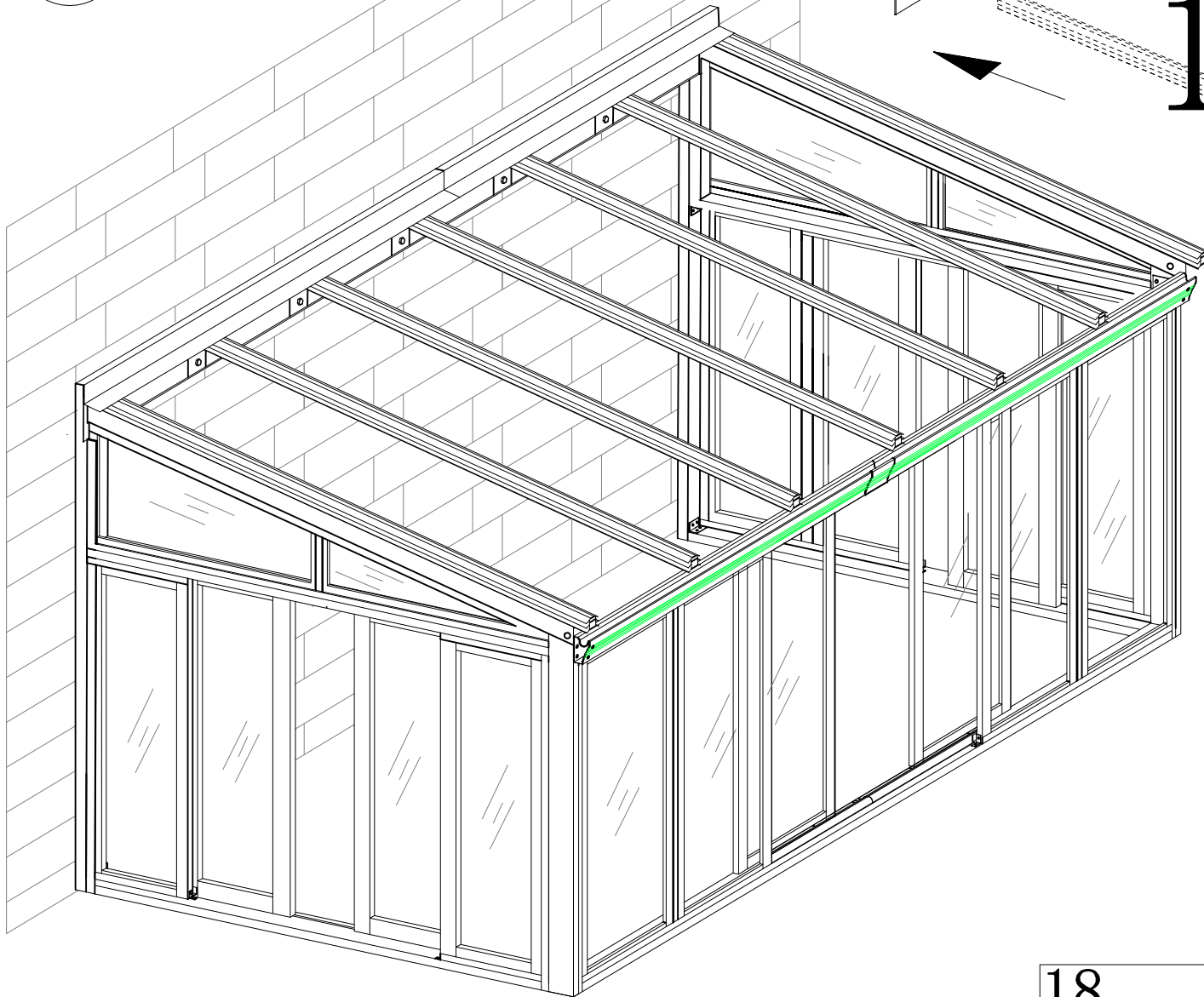


A	G	Q	Q1	K	H
x6	x2	x2	x2	x2	x1

17

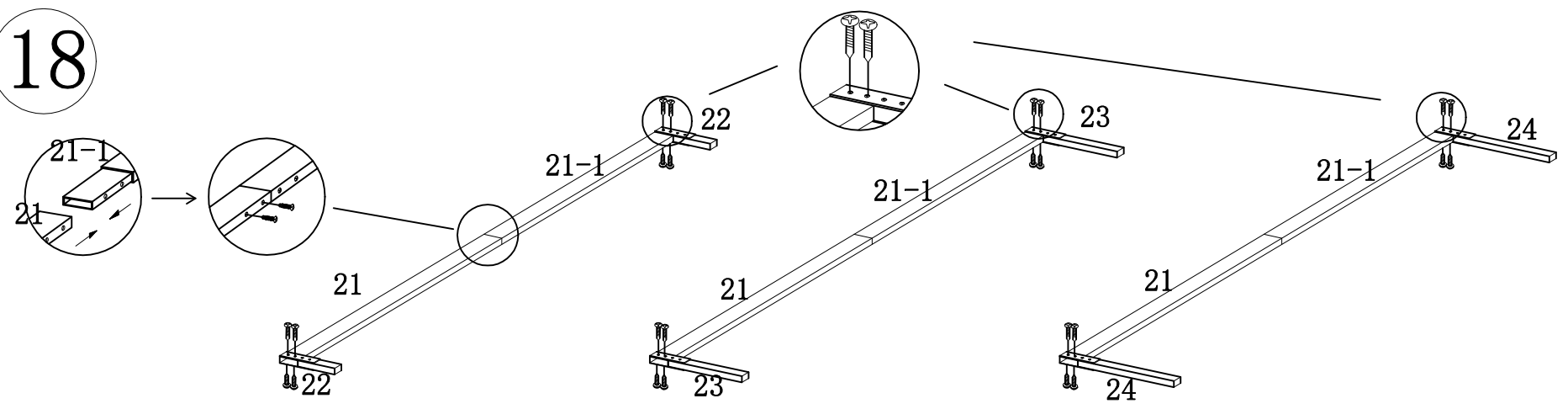



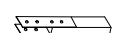

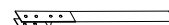
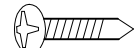
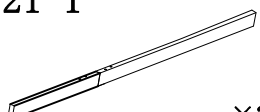
18



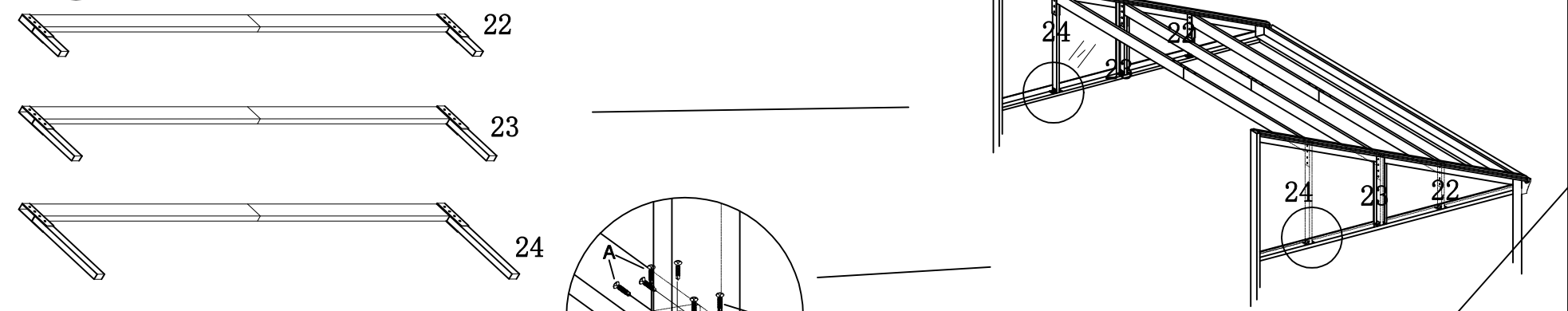
x5

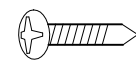
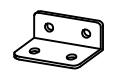
18



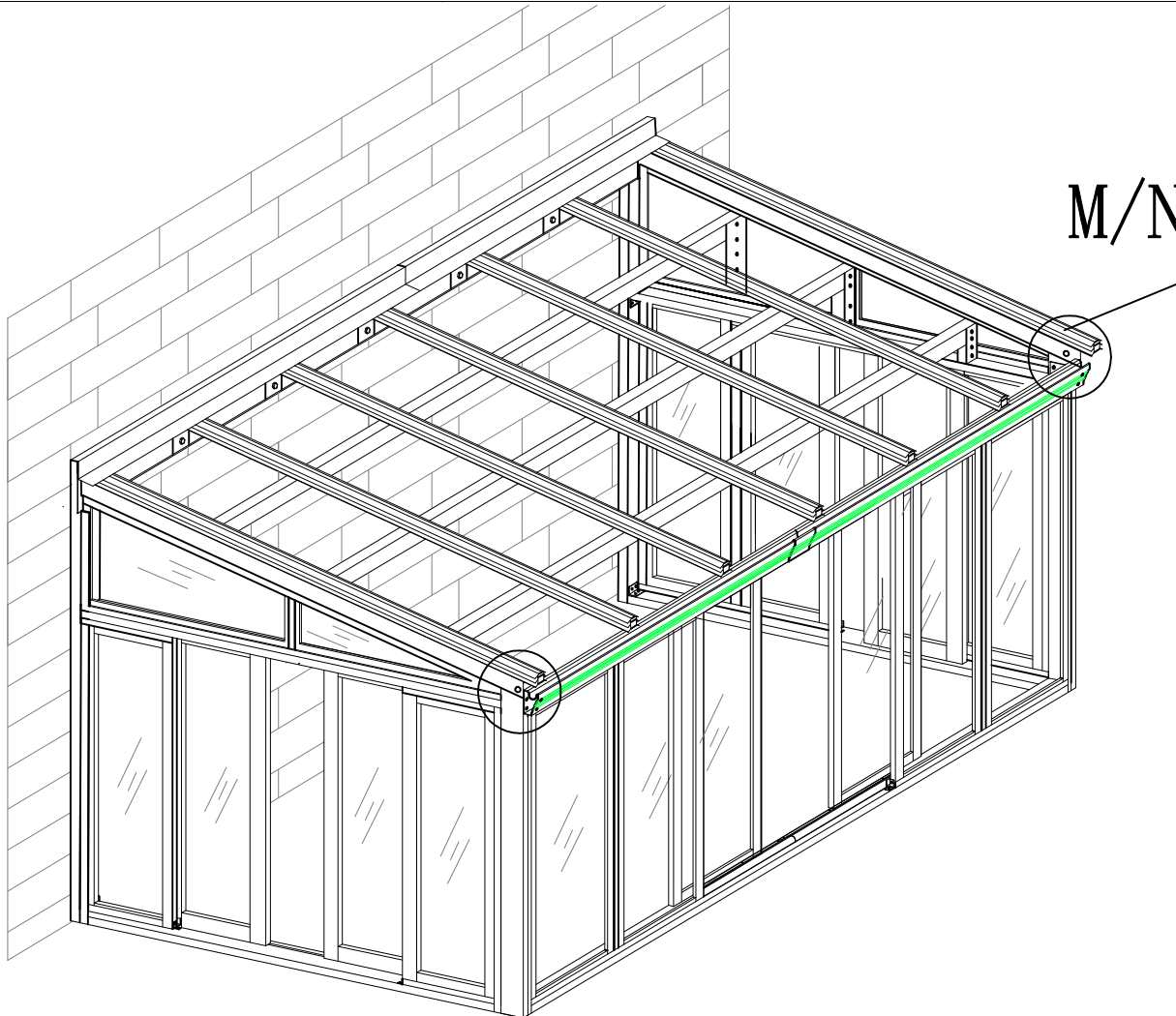
<p>21</p>  <p>x3</p>	<p>22</p>  <p>x2</p>	<p>23</p>  <p>x2</p>	<p>24</p>  <p>x2</p>	<p>A</p>  <p>x30</p>	<p>21-1</p>  <p>x3</p>
---	---	---	---	---	---

19

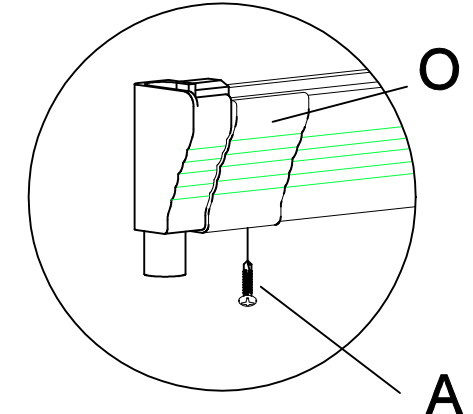
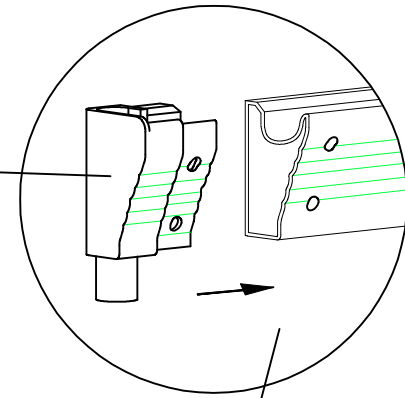


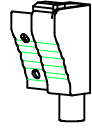
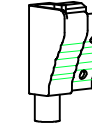
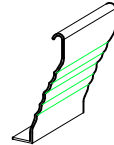
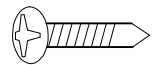
<p>A</p>  <p>x48</p>	<p>G</p>  <p>x12</p>
---	---

20

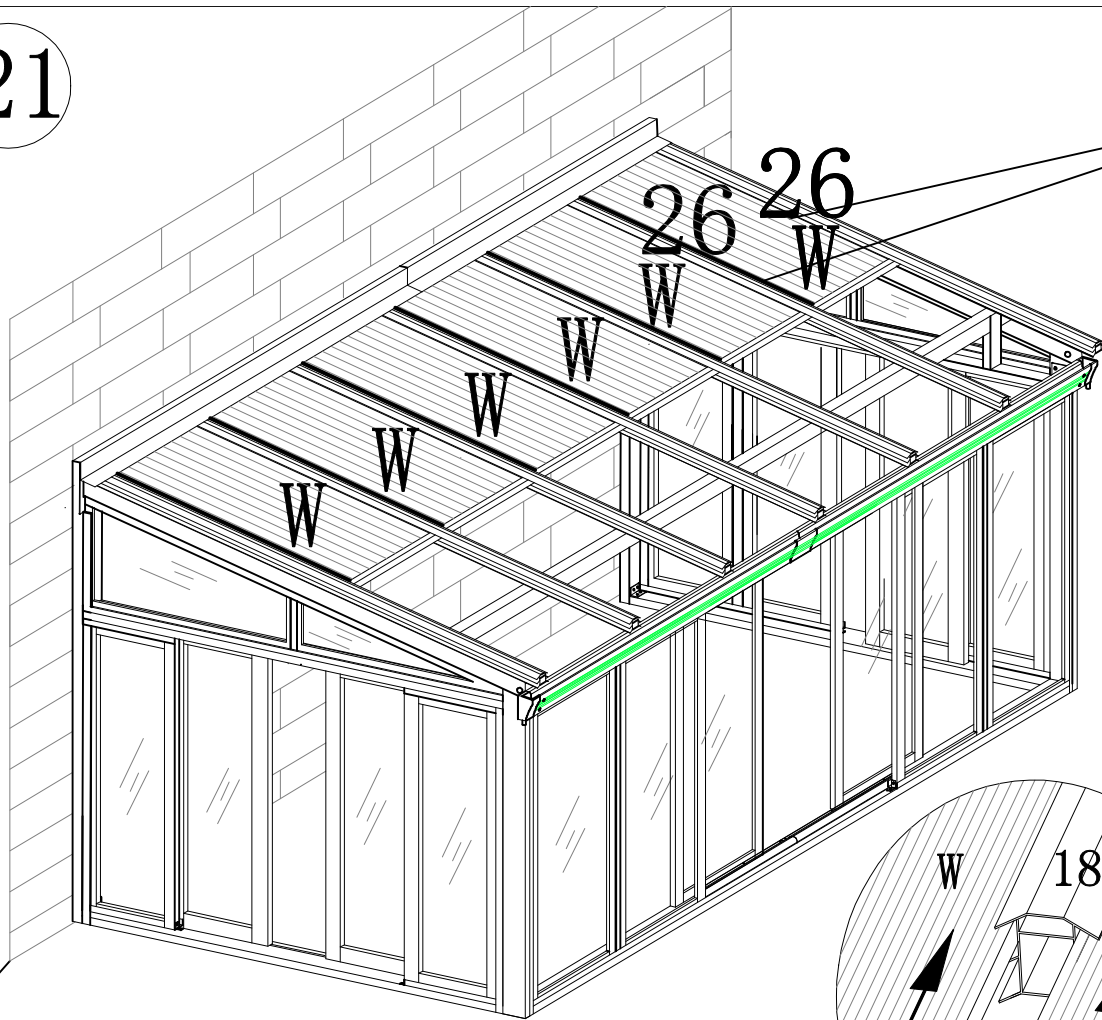


M/N

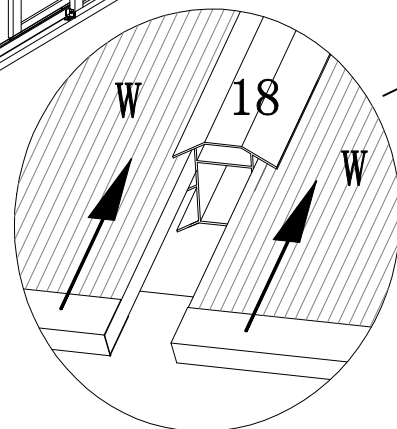
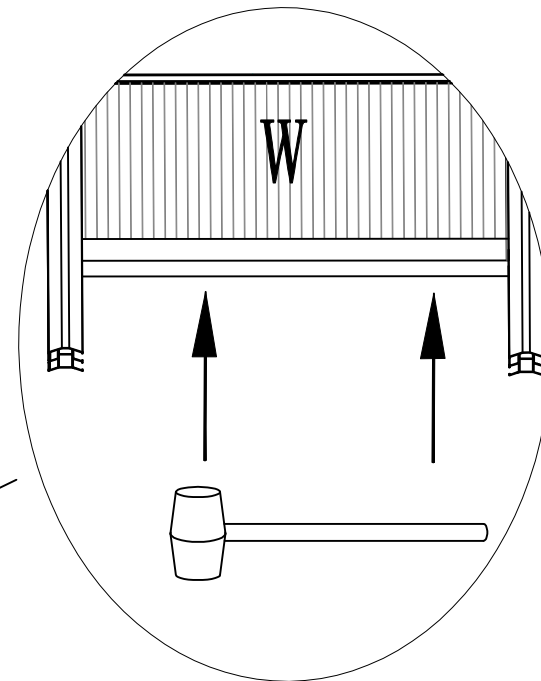


<p>M</p>  <p>×1</p>	<p>N</p>  <p>×1</p>	<p>O</p>  <p>×2</p>	<p>A</p>  <p>×2</p>
---	--	--	--

21

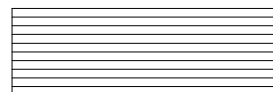


26



W

POLYCARBONATE

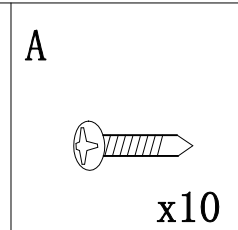
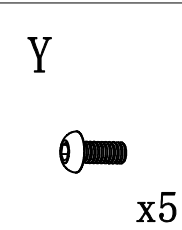
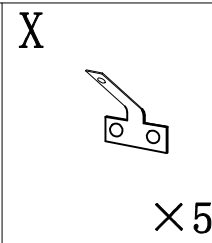
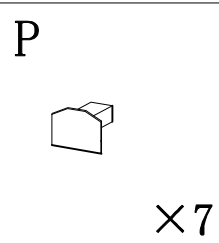
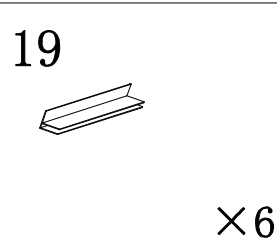
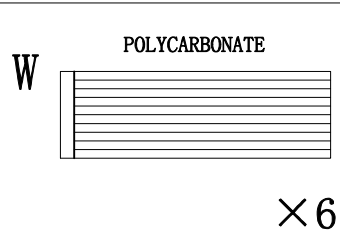
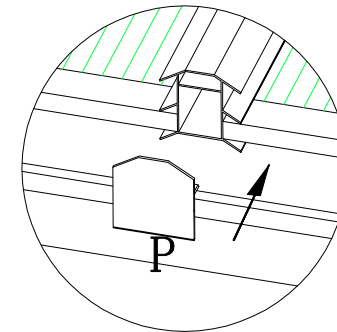
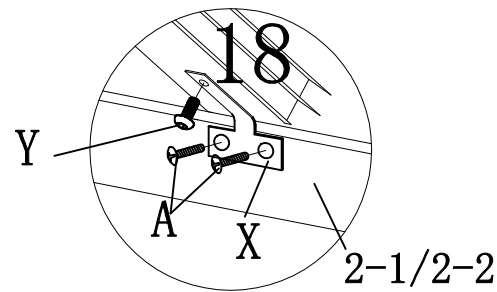
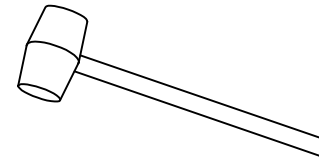
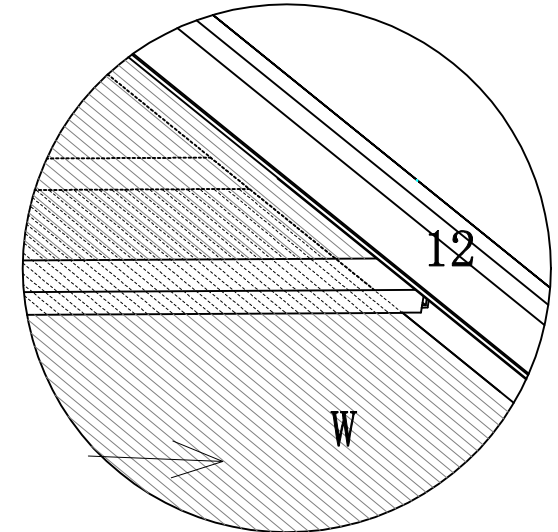
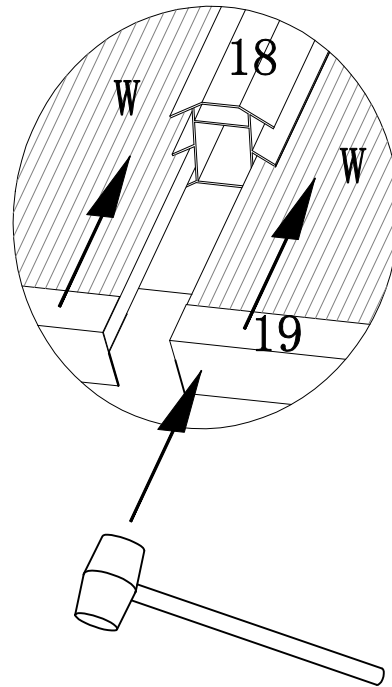
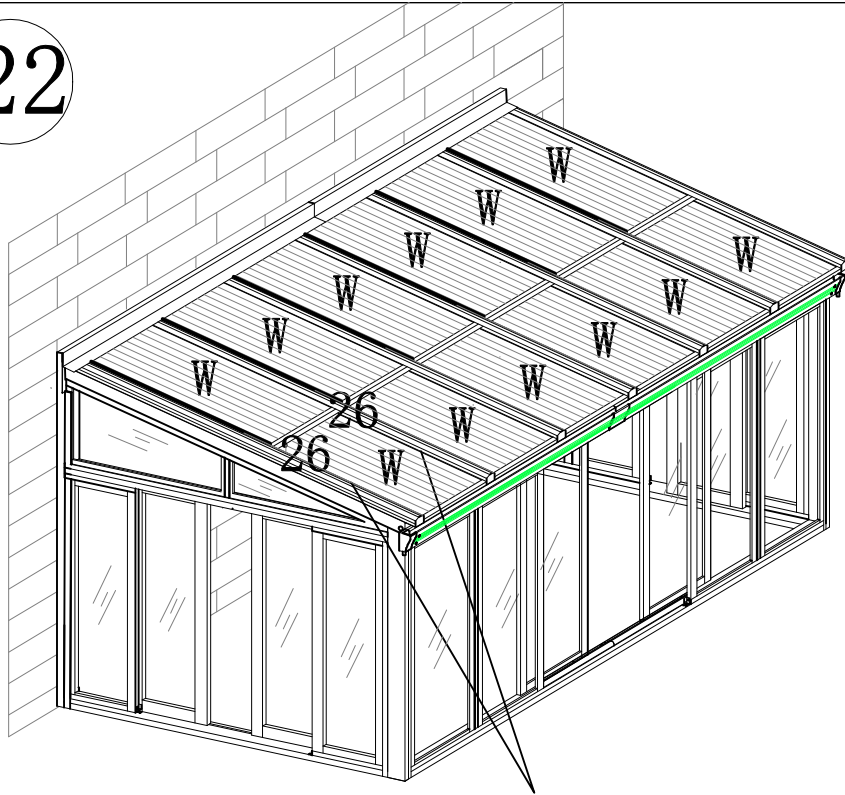


×6

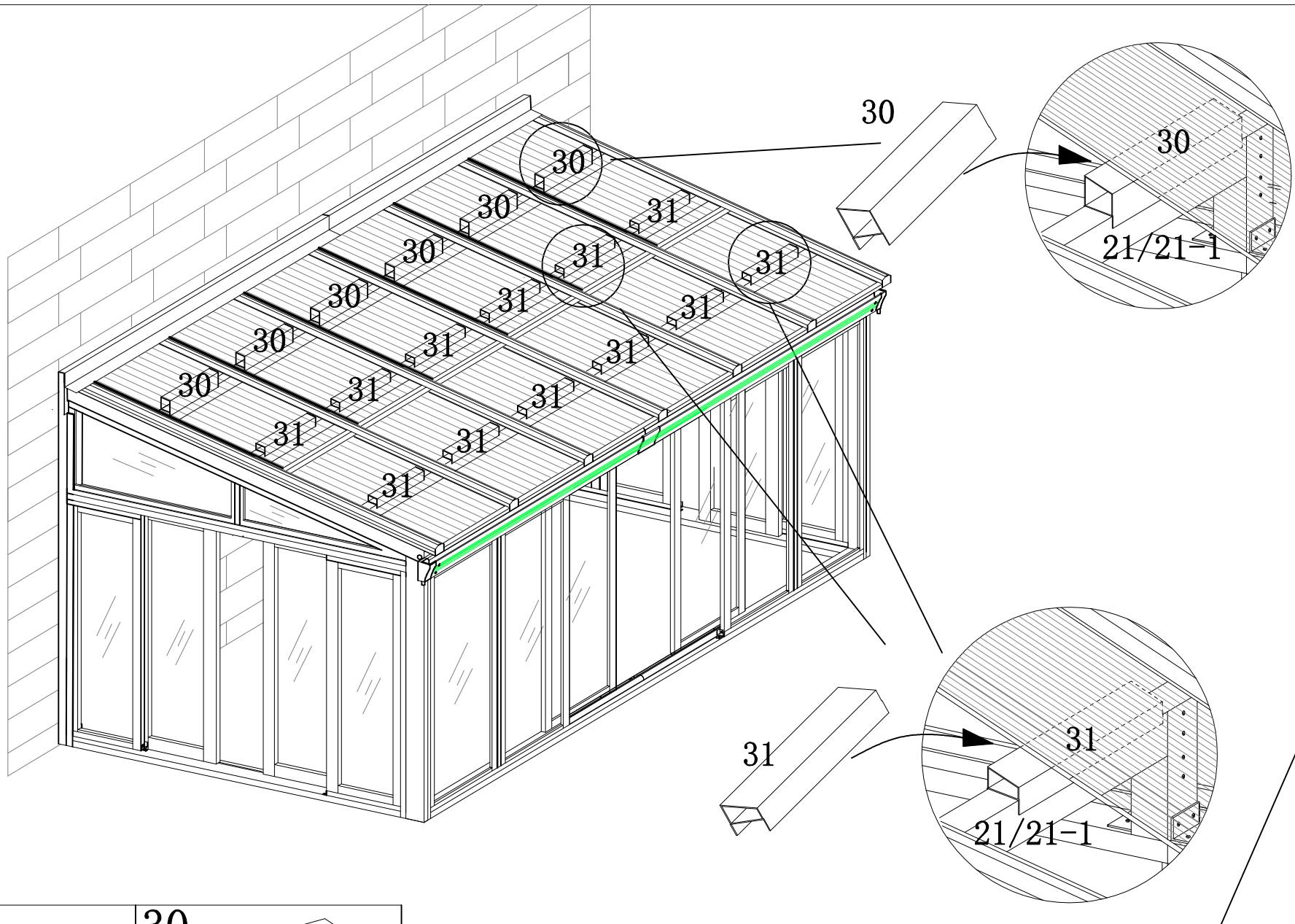
26



22



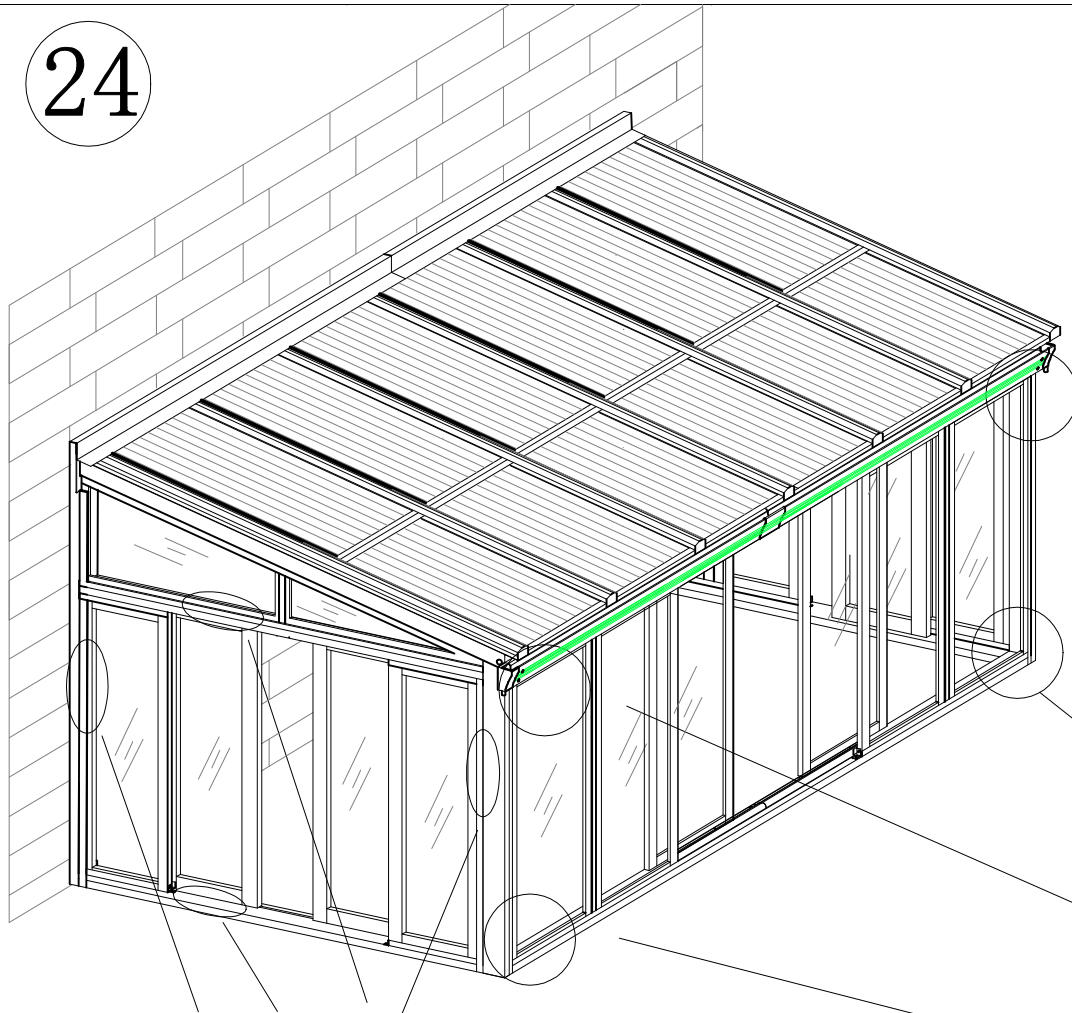
23



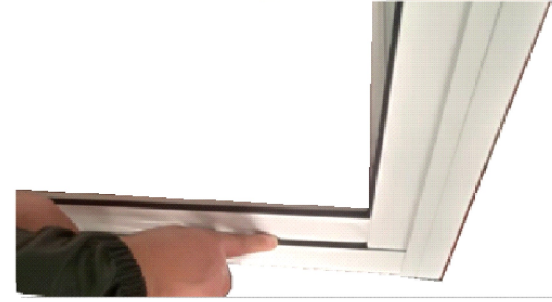
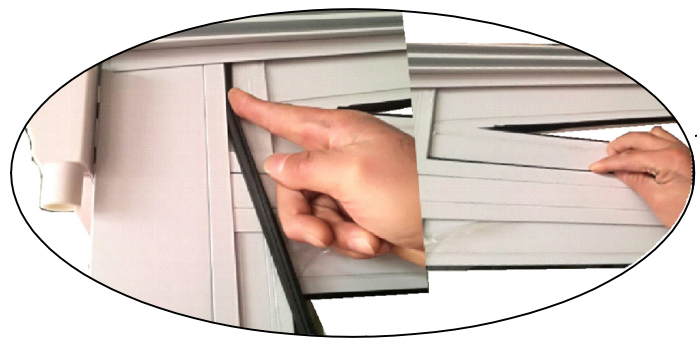
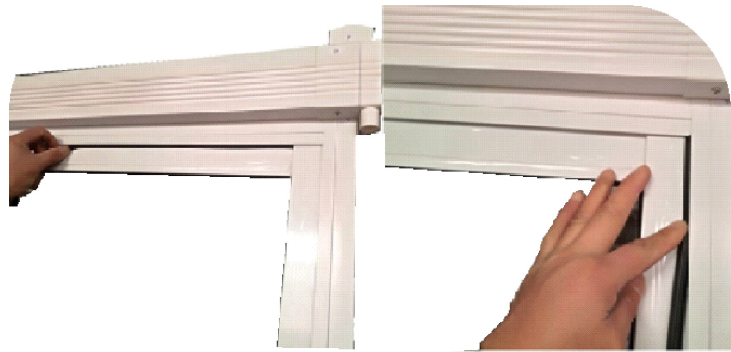
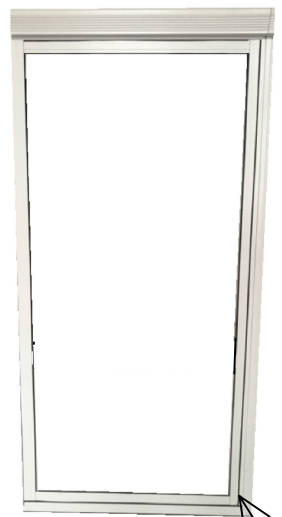
31 x12

30 x6

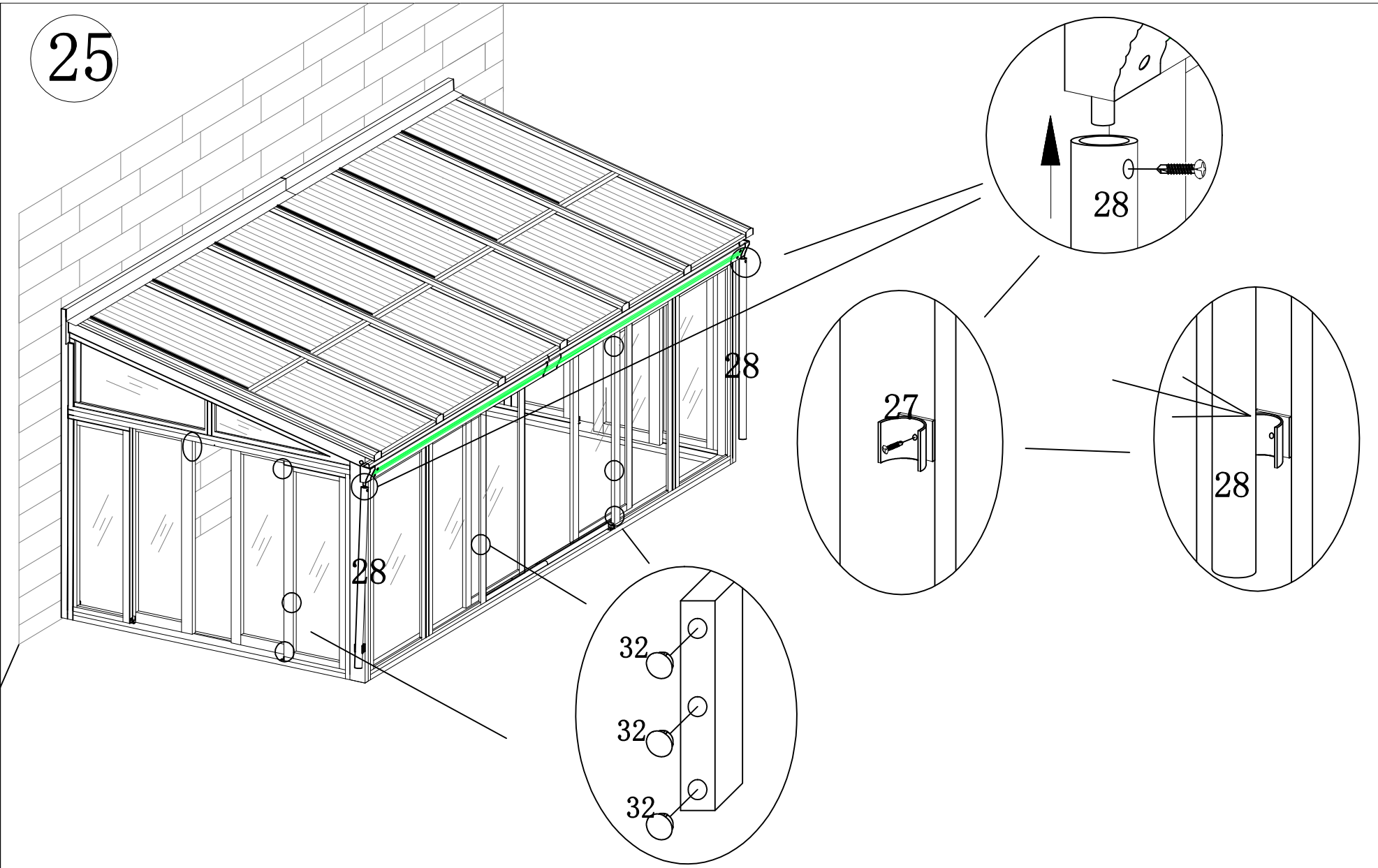
24



26



25

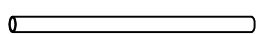


27



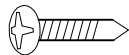
x2

28



x2

A



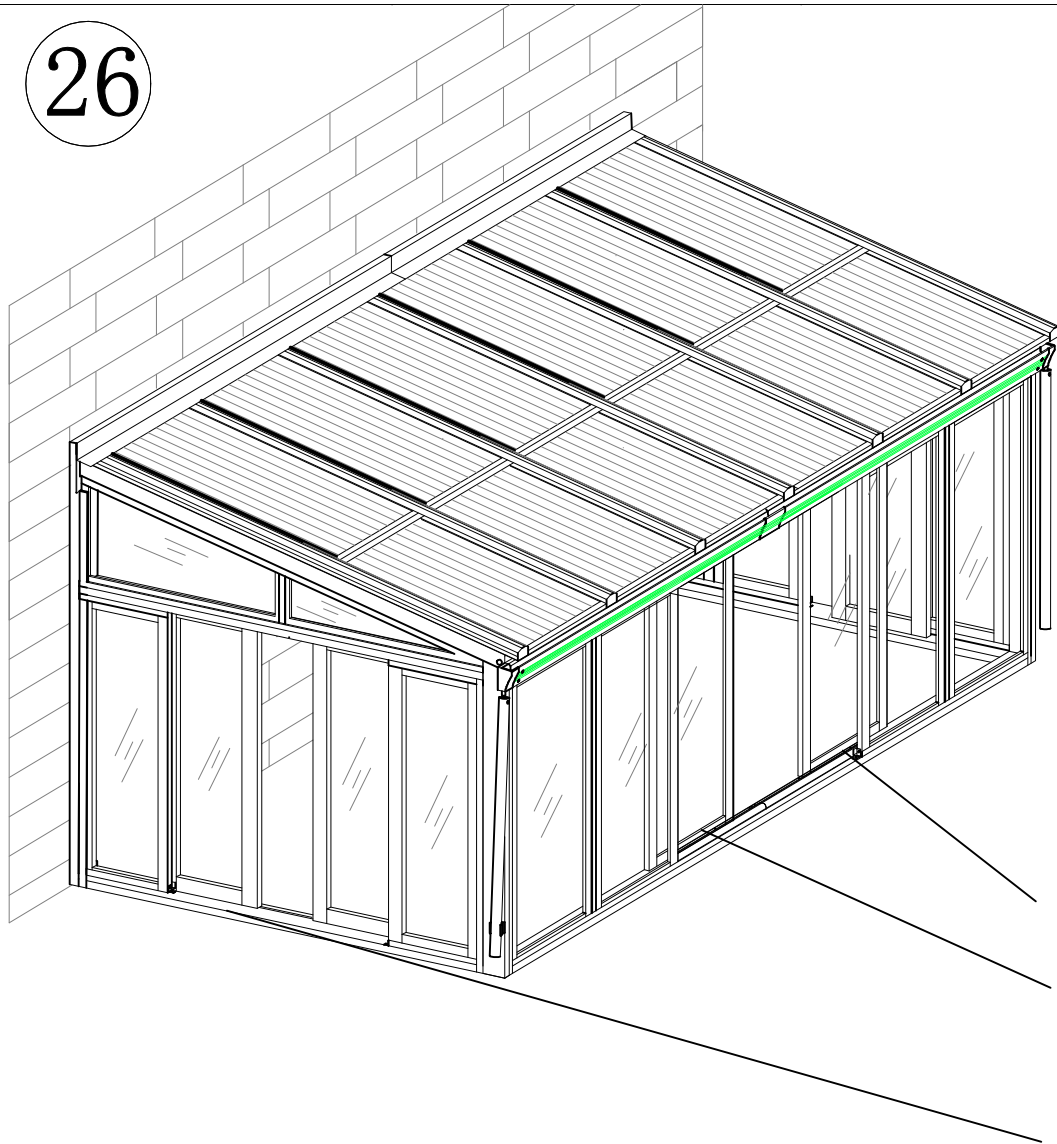
x6

32



x50

26



33



6M

x1